

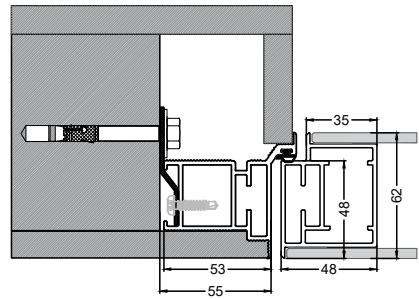
flush doors

# Theron

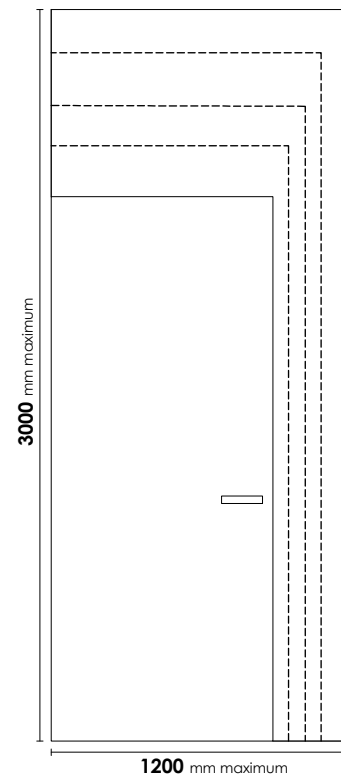
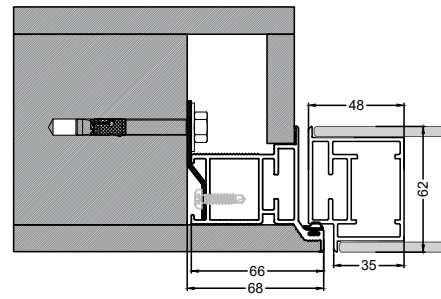


# Theron

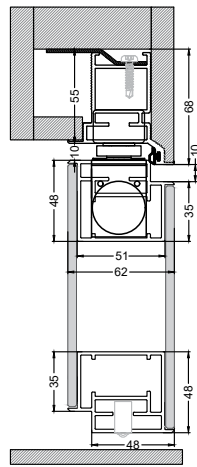
Pull Position



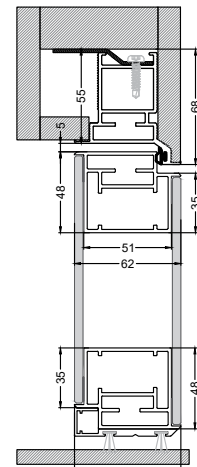
Push Position



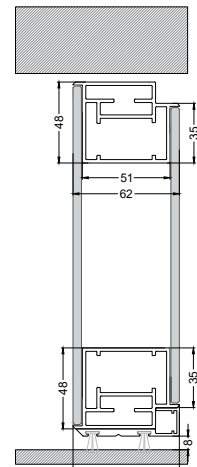
Soundproof option



Simple option



Without top frame



product | theron  
aluminium color | Champagne  
glass panel | Clear glass-black painted



# Theron



product | theron  
aluminium color | RAL 9004  
ceramic panel: DARK MARQUINA

# Theron



product | theron  
aluminium color | RAL 9001  
ceramic panel | FOKOS

product | kyros  
aluminium color | RAL 1001  
glass | clear



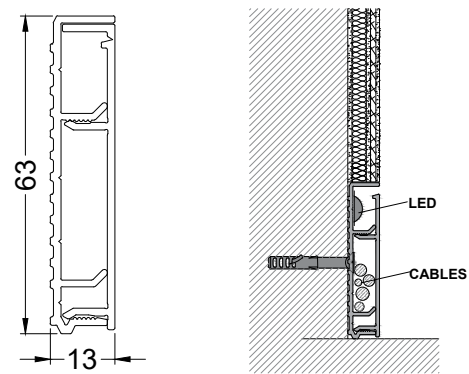
# Theron

A partition with flush doors becoming the ideal choice for high design requirements giving the essence of an undisrupted surface. Minimalistic with slim profiles, door closer and drop seal function is your option.





# Theron

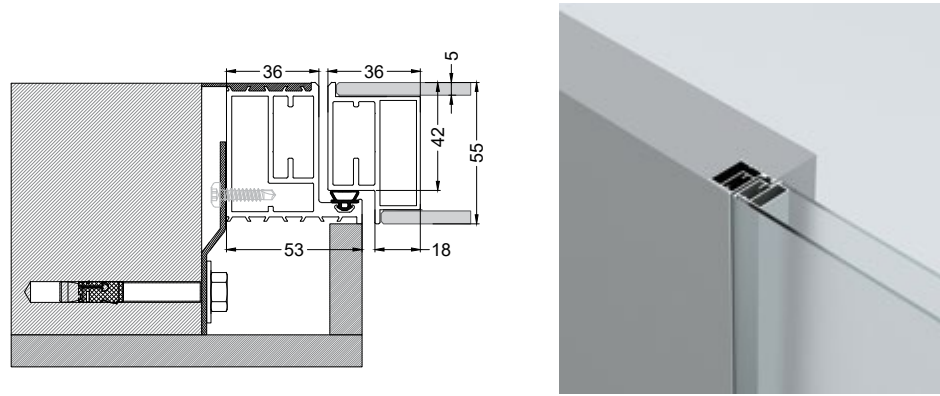


Combine Theron matching aluminium nesting board with LED light socket for creating atmospheric spaces.

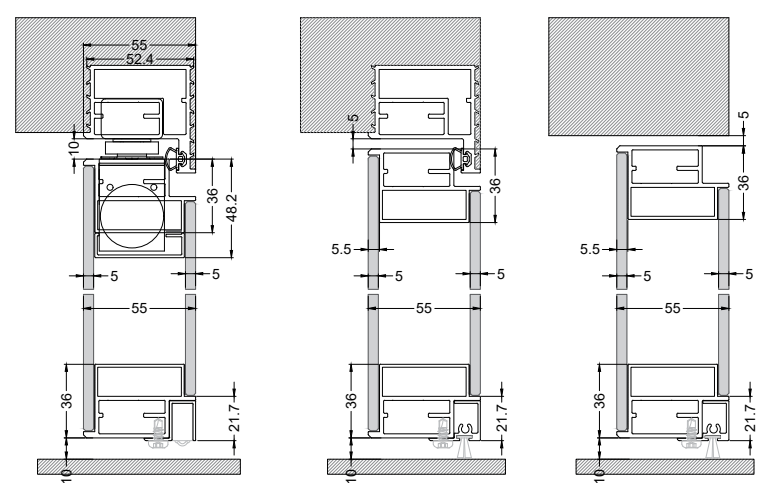
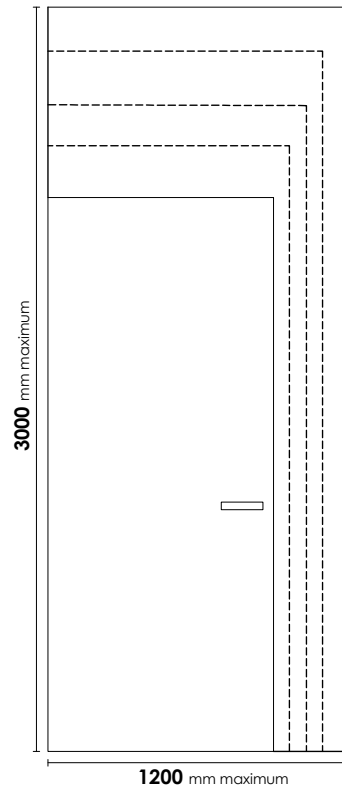


product: theron  
aluminium color: Natural Anodize  
wood panel | ceramic wall panel: Walnut | Blend Grigio

# Adela



product | adela  
aluminium color | satin  
panel | mirastar



premium



# Adela



product: adela  
aluminium color: natural anodize  
panel: nero greco

product | allure | sliding door  
aluminium color | RAL 7039  
glass | clear

# Adela

Adela is a practical and minimal flush door not exceeding the 55mm thickness. Equipped with 3D hinges and compatible with door closer and drop seal function. Combined through a rich variety of aluminum colors, glass types, wooden leaf, ceramic materials and leather textures.



product | adela  
aluminium color | RAL 9004  
panel | VC-1172