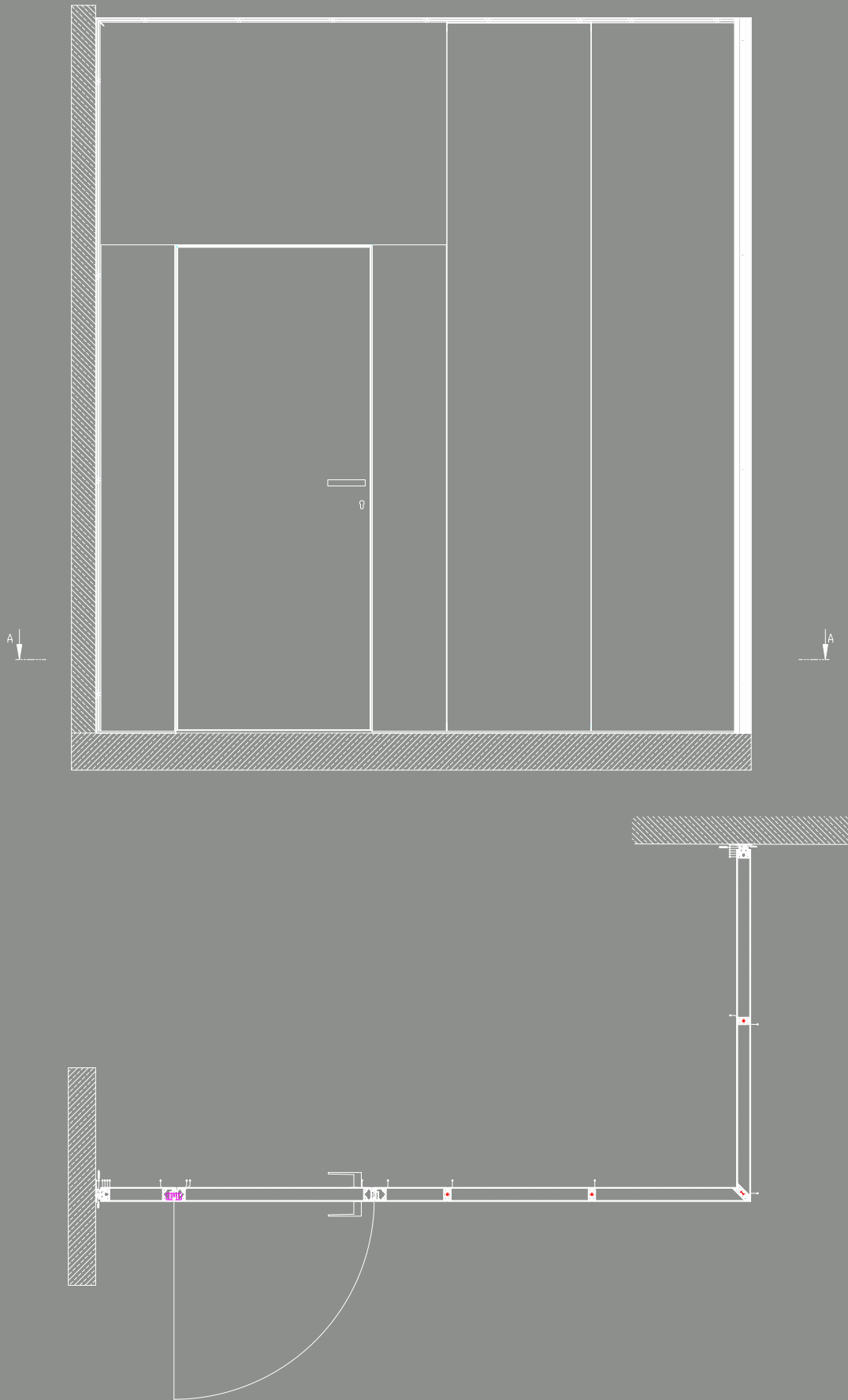




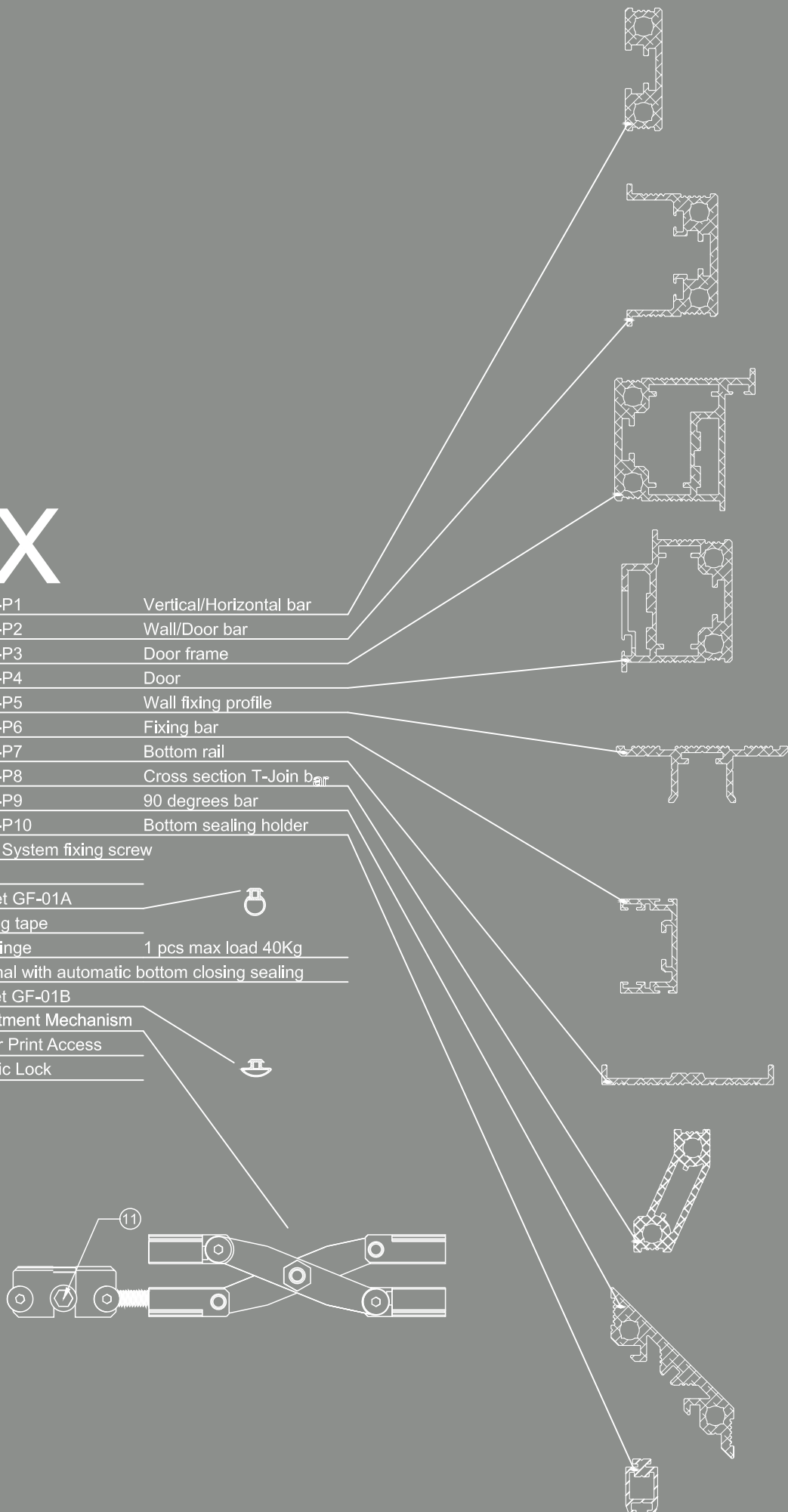
GF01

Frameless Glass Wall Partition

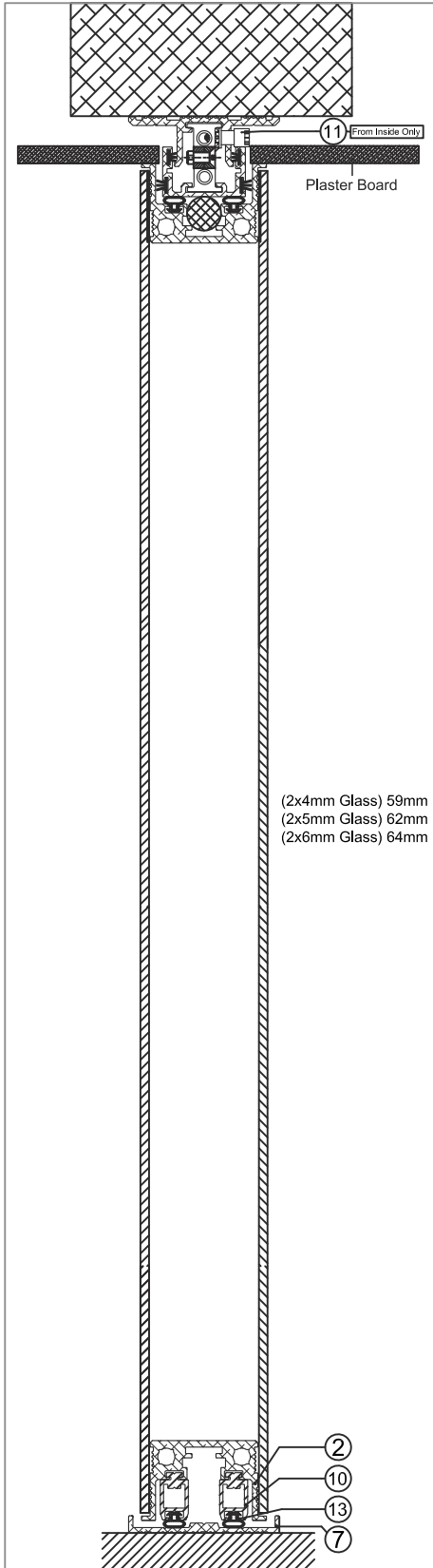


INDEX

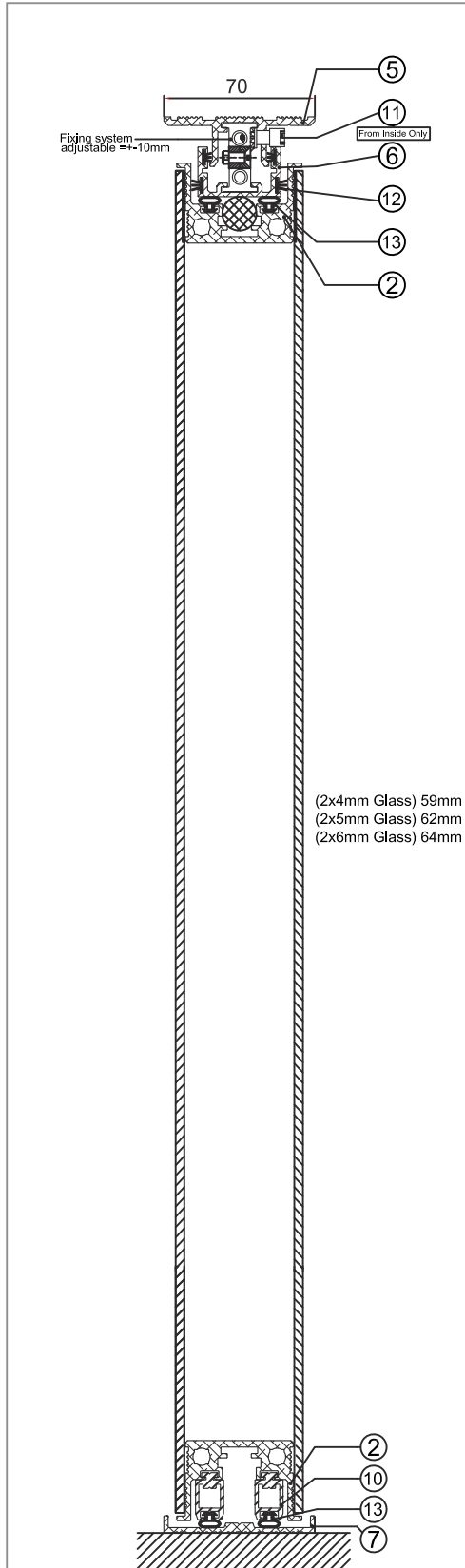
- ① GF01-P1 Vertical/Horizontal bar
- ② GF01-P2 Wall/Door bar
- ③ GF01-P3 Door frame
- ④ GF01-P4 Door
- ⑤ GF01-P5 Wall fixing profile
- ⑥ GF01-P6 Fixing bar
- ⑦ GF01-P7 Bottom rail
- ⑧ GF01-P8 Cross section T-Join bar
- ⑨ GF01-P9 90 degrees bar
- ⑩ GF01-P10 Bottom sealing holder
- ⑪ Panel System fixing screw
- ⑫ Brush
- ⑬ Gasket GF-01A
- ⑭ Sealing tape
- ⑮ 3D Hinge 1 pcs max load 40Kg
- ⑯ Optional with automatic bottom closing sealing
- ⑰ Gasket GF-01B
- ⑱ Adjustment Mechanism
- * optional Finger Print Access
- * optional Electric Lock



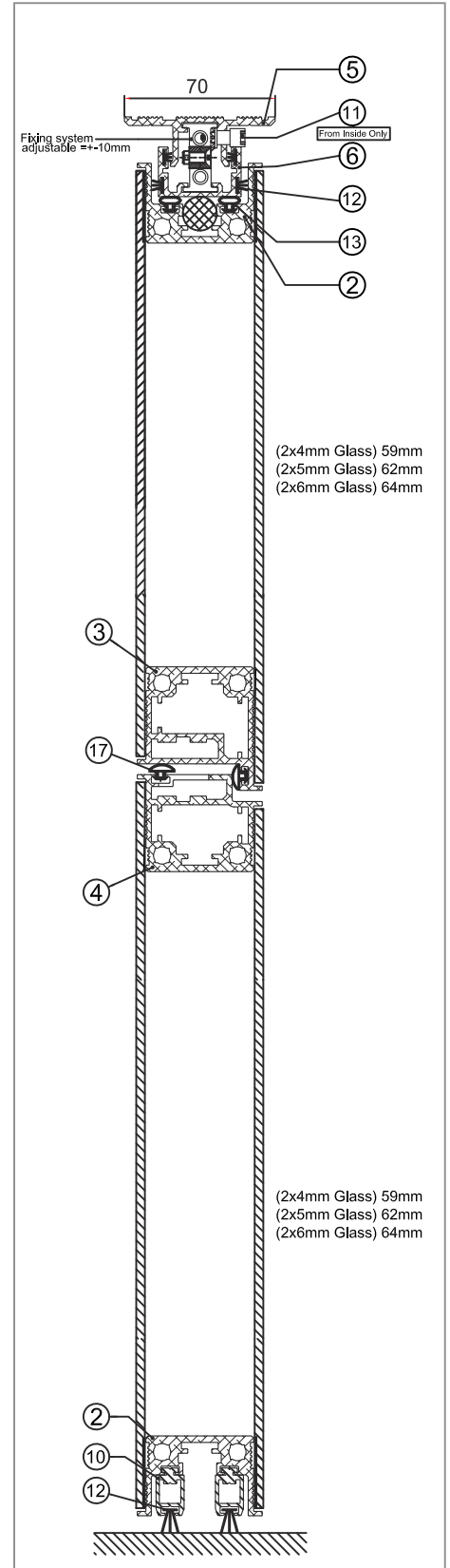
VERTICAL PANEL SECTION WITH PLASTER BOARD



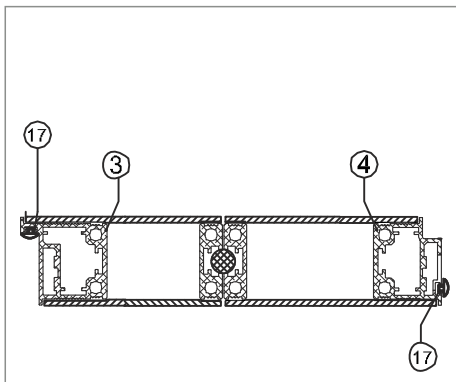
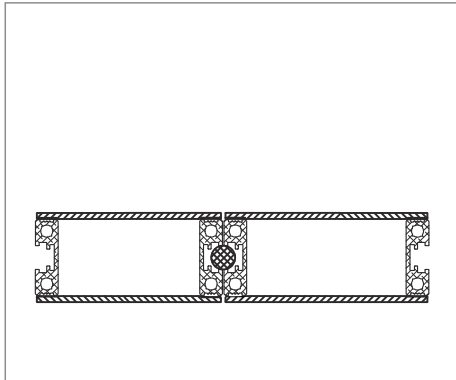
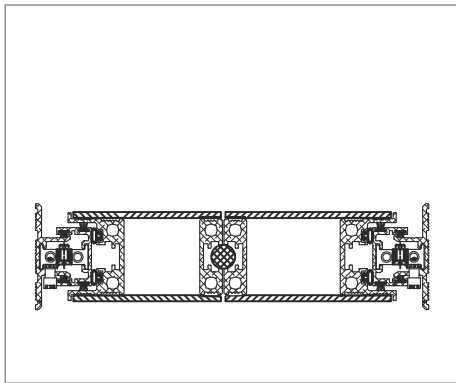
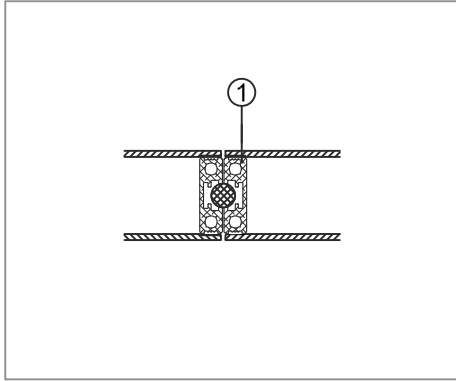
VERTICAL PANEL SECTION



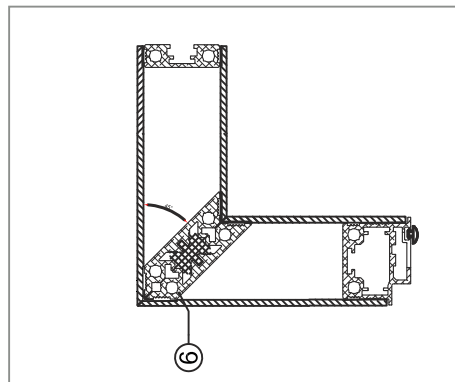
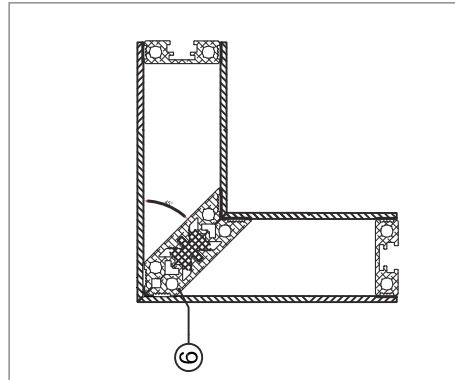
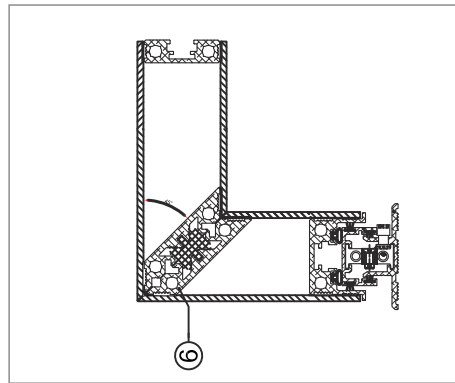
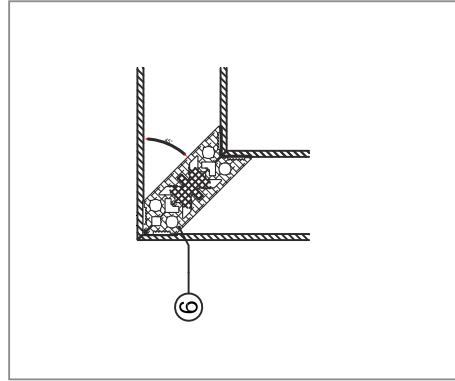
VERTICAL PANEL SECTION WITH DOOR



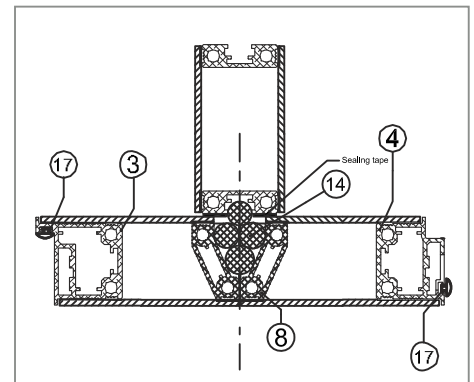
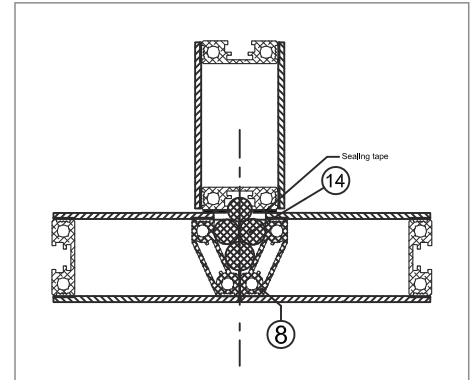
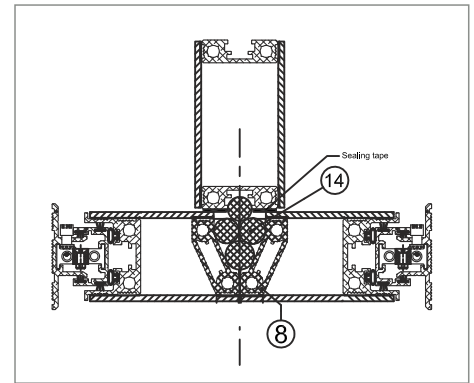
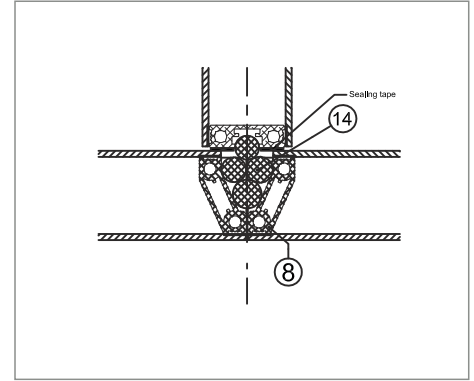
MIDDLE JUNCTIONS



90° CORNER JUNCTIONS



T CORNER JUNCTIONS





Innovating Adjustment Mechanism

The only glass wall partition that can be fully adjusted
after being installed in finished floor and ceiling!

patent pending

www.papgroup.gr



Industrial Area of Thessaloniki Bk38

Sindos 57022 | Greece

T: 0030 2310 570727

F: 0030 2310 570726

info@papgroup.gr