

Specifications and Accessories

INDUSTRIAL ROLLING SHUTTER CATALOG

Profiles

Guides

Shaft

Shaft cover box

2022



+39 23510 41860

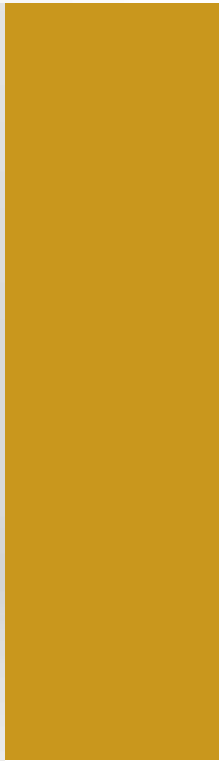
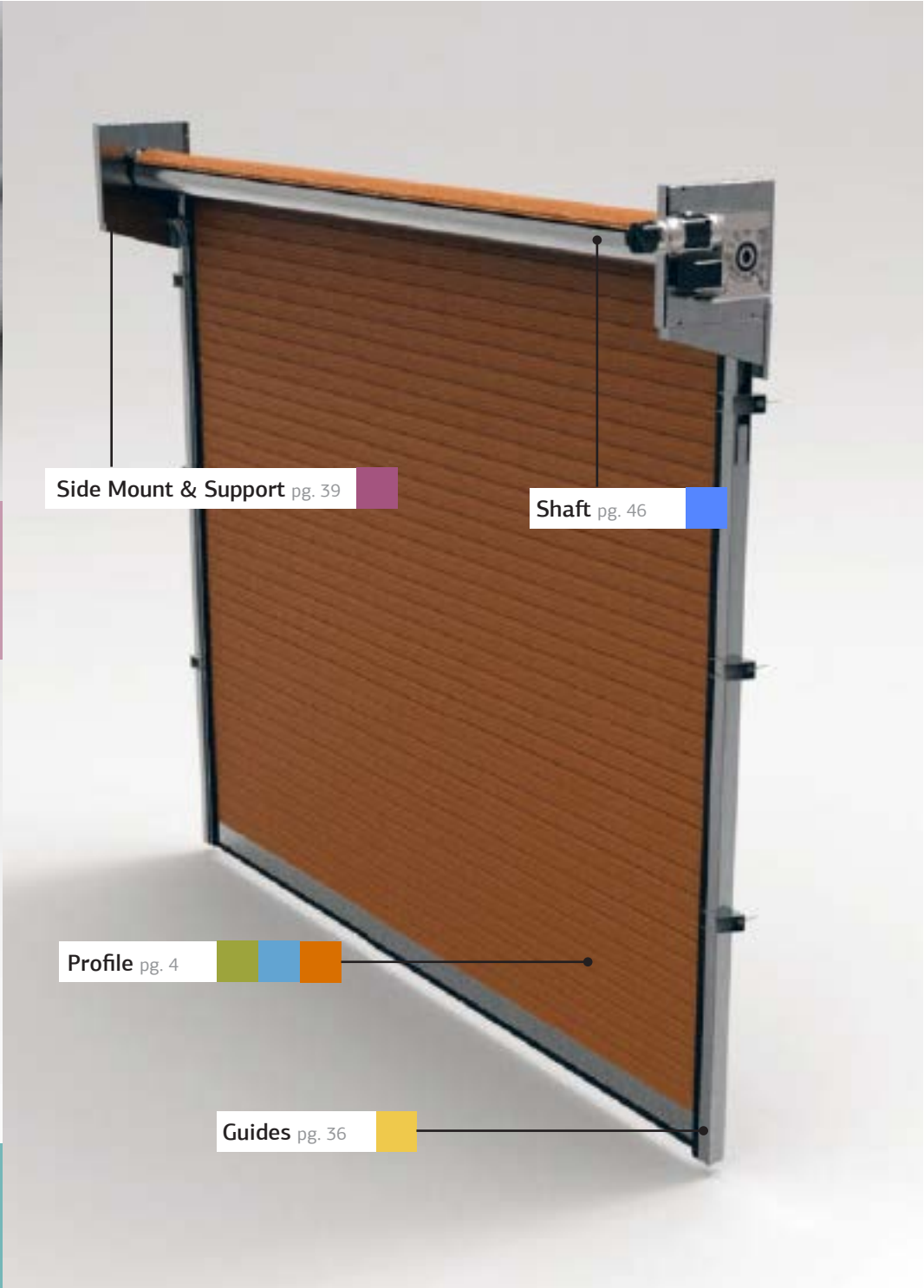
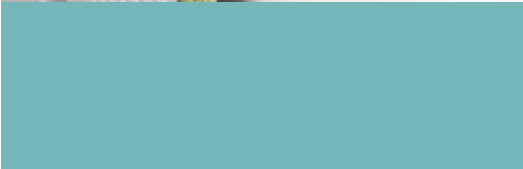
info@biorol.gr

www.biorol.com

 **BIOROL** S.A.

EN

ISSUED 10/20/22



CONTENTS



1. Profiles



1. Double Insulated Profile.....	4
1. Double Insulated	5
2. Windows & Grills.....	6
3. Accessories.....	8
4. Color Palette.....	12
2. Single Steel Sheet Profile.....	14
1. B113-Pastore-Steel.....	15
2. B113-Pastore Curved - Steel.....	16
3. B71 -Antitebesta 71 - Steel.....	17
4. B95 - Antitebesta 95 - Steel.....	18
5. B95 - Antitebesta 95- Aluminum.....	18
6. Windows & Grills.....	20
7. Accessories.....	22
8. Color Palette.....	26
3. Double Profile DB.....	28
1. Double Walled DB	29
2. Accessories.....	30
3. Color Palette.....	34



2. Guides



1. Guide "Omega" with Lip.....	36
2. Side Support.....	37
3. Side Mount.....	38
4. Accessories.....	40
5. Color Palette.....	42



3. Shaft



1. Shafts.....	46
2. Shaft end & Pivot.....	47



4. Shaft cover box



1. Front Frame (Fascia)	48
2. Two Side Box.....	49
3. Three Side Box.....	50



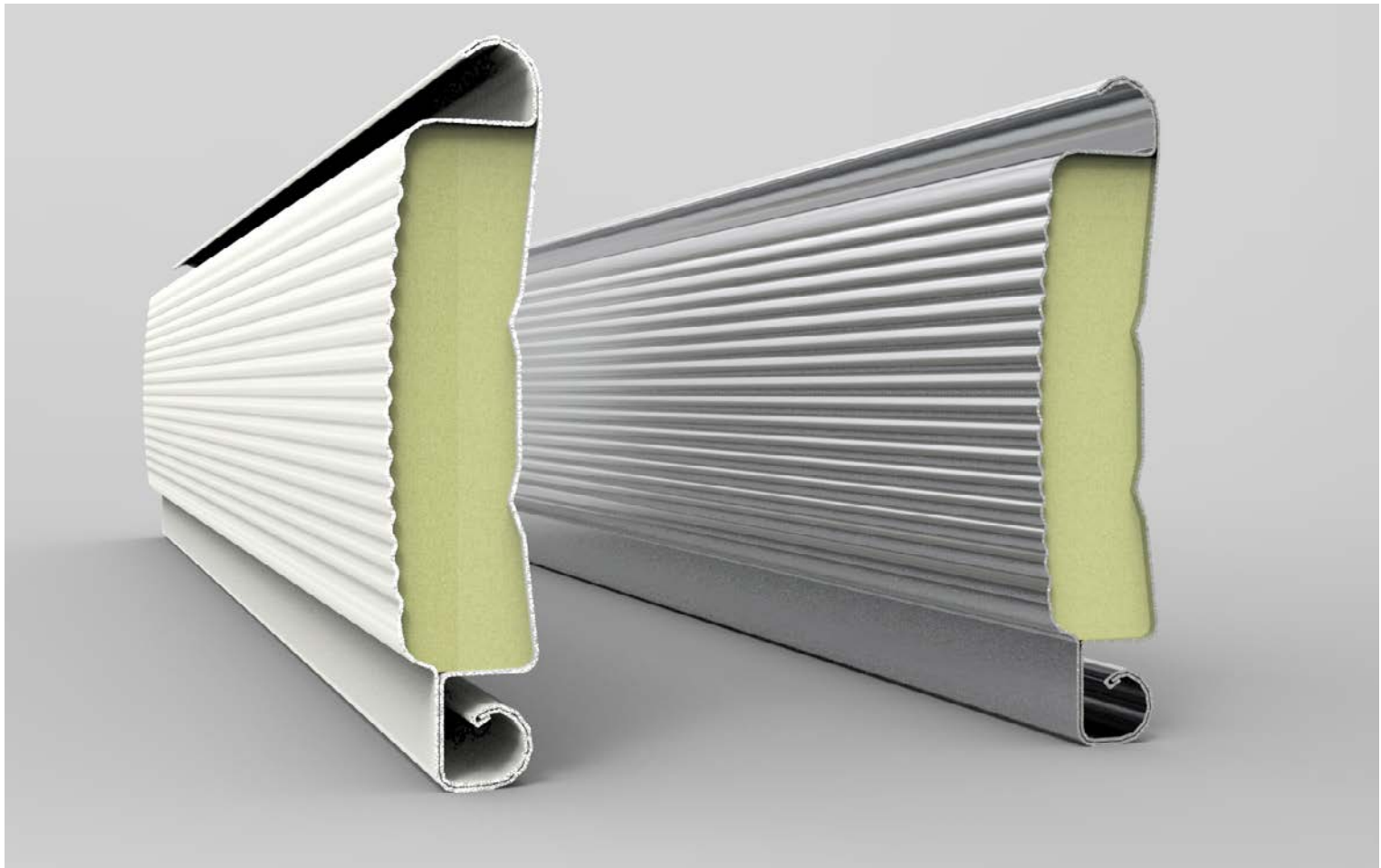
DOUBLE PROFILE WITH POLYURETHANE INSULATION

in steel (CB1) or aluminum (CB2)

- Special design
 - a) for wide range of applications
 - b) unique in the European market.
- Silent Operation.
- Made from one piece metal sheet.
- Galvanized steel
- Excellent resistance to adverse conditions without additional expensive equipment.
- High-performance of heat and sound insulation.
- Unique quality due to powder coating, which confers high resistance in use.
- Wide range of colors at the same price.
- Ability to accommodate windows and ventilation grills.

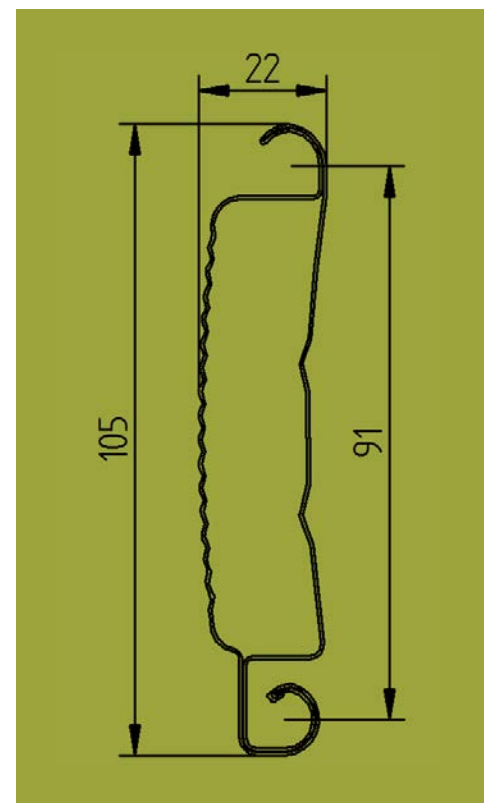


DOUBLE PROFILE // in steel (CB1) or aluminum (CB2)



Double Profile with Insulation - Specifications

Profile	CB1 - Steel	CB2 - Aluminium
Height/ Step - mm	105/91	105/91
Pcs /m	11	11
Thickness - mm	0,4	0,4
Weight kg/m	1,05	0,45
Maximum Production Length - Galvanized/ Natural	12m	12m
Maximum Production Length - Powder Coated ¹	12m	12m
Windload (max)	W:12000x1338kg - Class 4	W:6000xH:6000 - Class 3
Safe Operation	✓	✓
Operating Forces	✓	✓
Min. Shaft Diameter	Ø159	Ø159
Windows/ Ventilation Grills	~4pcs/ 1m	~4pcs/ 1m
Polyurethane Density	57kg/m ³ (±2kg/m ³)	57kg/m ³ (±2kg/m ³)
Sound Reduction ²	R~23dB	R~23dB
Thermal Transmittance ³	Up [W/(m ² K)] 4,46	Up [W/(m ² K)] 4,46



Maximum rolling shutter height: 10,000 mm. For rolling shutters higher than 10,000 mm, please contact us.

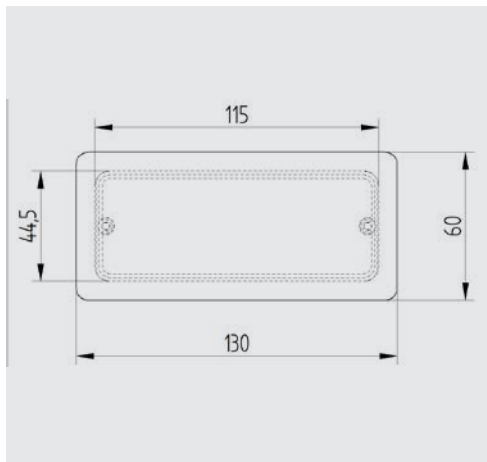
- ¹ Color palette available after request
- ² EN 717-1 part of door
- ³ EN 10077-2:2012 on couple of profiles

Certification according to :
EN 13241-1:2003+A. :2016



* Actual colors may differ

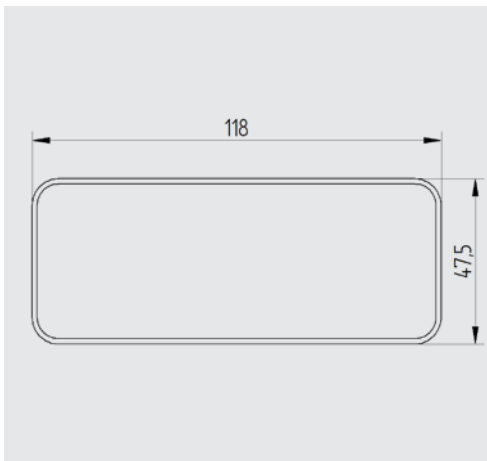
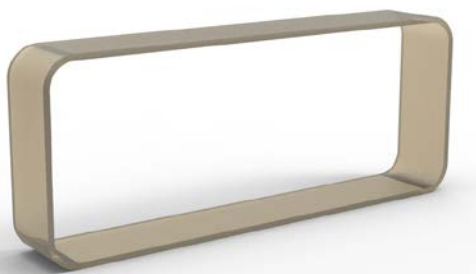
WINDOWS & GRILLS



Windows

Double PLEXI GLASS (130x60mm) windows option, for natural lighting.

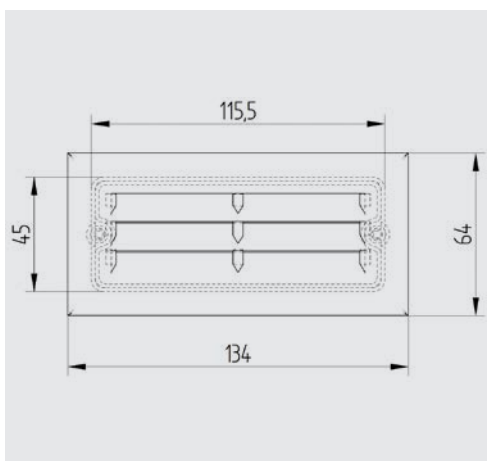
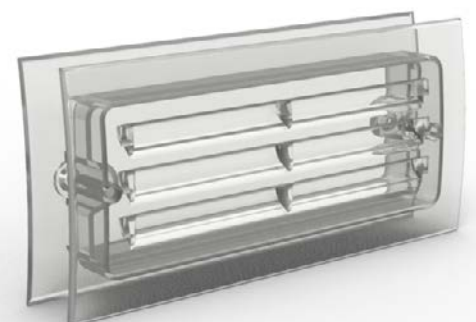
Weight: 0,049 kg/set
Art. Code: W13060



Sealing Flange

Sealing flange for double windows and ventilation grills

Weight: 0,011 kg/set
Art. Code: F12050



Ventilation Grills

Ventilation grills from double PLEXI GLASS (134x64mm) option, for natural ventilation.

Weight: 0,042 kg/set
Art. Code: VG13463

Aluminum Extrusion Profile ES1

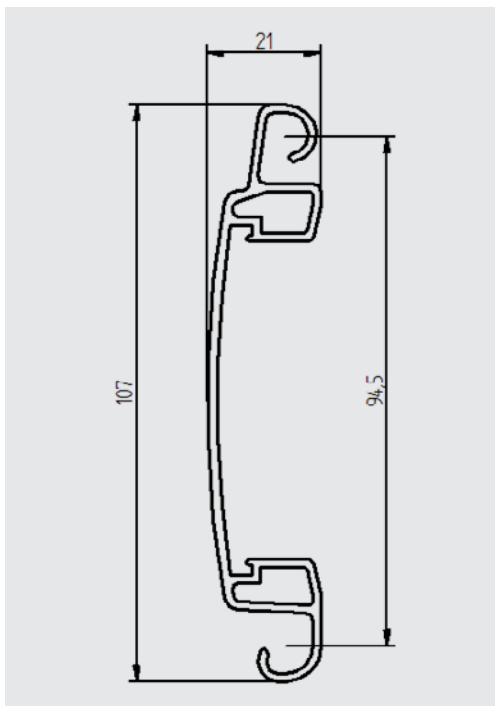
Aluminium profile
(for window placement)

Weight: 1,0 Kg/m

Length: 5,0 -5,5-6,0-6,5-7,0-10m
(Natural & White)

-Up to 9m length powder coated

Art. Code: ESP1(40502)

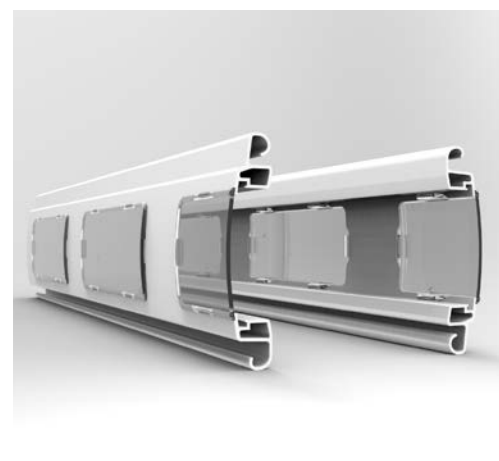
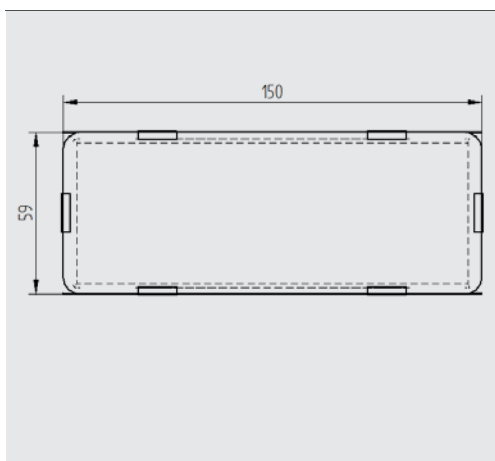


Windows

In PLEXI GLASS
(150x60mm) per inserto
nel profilo estruso (40502)
opzione per un passaggio
naturale della luce.

Weight: 0,024 kg/pc

Art. Code: W15060

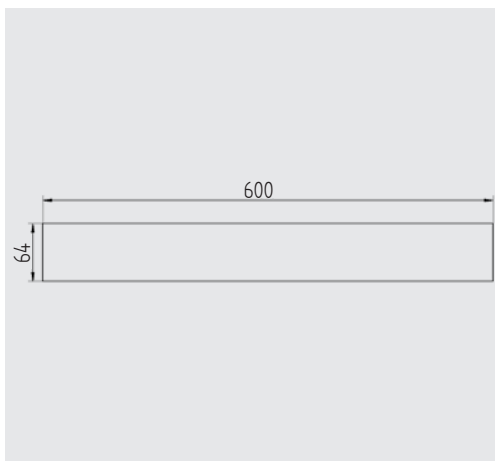


Windows

PLEXI GLASS (600x64mm)
windows on aluminum ex-
trusion profile(40502) option,
when additional natural lighting
is required.

Weight: 0,113 kg/pc

Art. Code: W60064

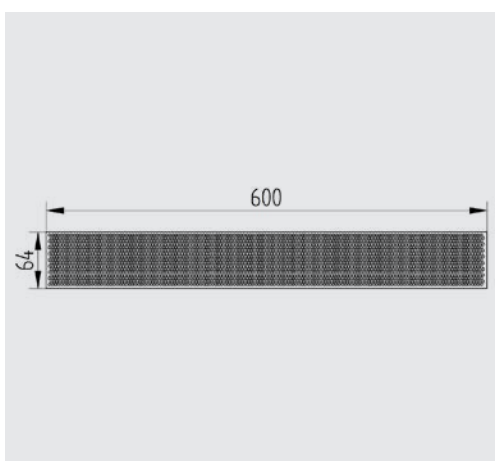


Perforated Grills

Perforated Grills option. Metal
plates with 3mm holes for natu-
ral ventilation, placed on an alu-
minum extrusion profile(40502)

Art. Code: V60064

* Special product
please contact us for construction



Support for big window

It is placed in both sides of plexiglass big window

Weight: 0,019 Kg/pc

Art. Code: W50064S

Cover for Strut "V"

Cover for strut "V" 105

Weight: 0,016 kg/pc

Art. Code: PC105

Metal Strut "V"

Metal strut from galvanized steel.

Height: 105mm

Dimensions: 105x105x1mm

Weight: 2kg/m

Art. Code: V105

"U" Profile

Weight: 0,54kg/m

Dimensions: 15x15x1,5mm

Art. Code: BU15

Bottom Aluminum Profile

Bottom aluminum extrusion profile:

- Up to 10m length natural

-Up to 9m length powder coated

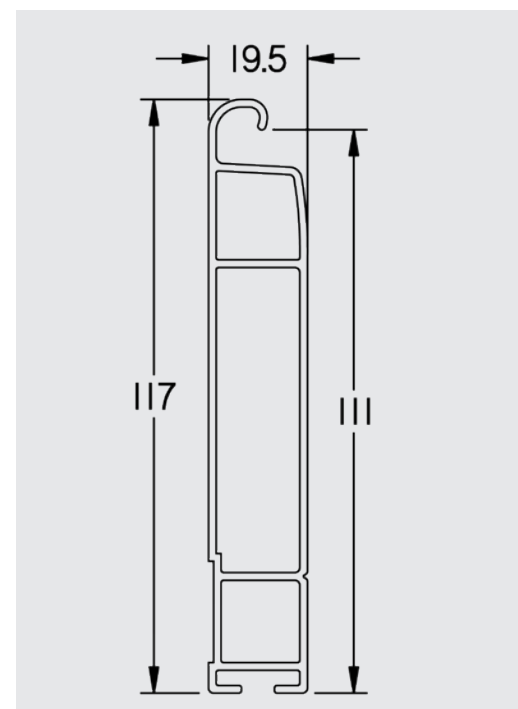
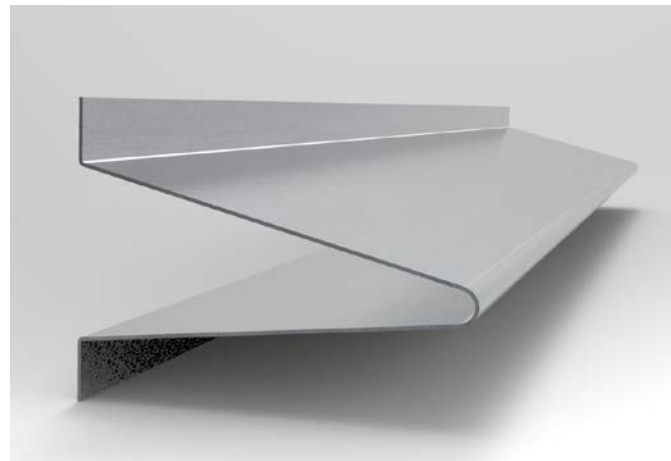
Weight:

1,17kg/m Natural

1,2kg/m Powder Coated

Art. Code: 40503

ACCESSORIES





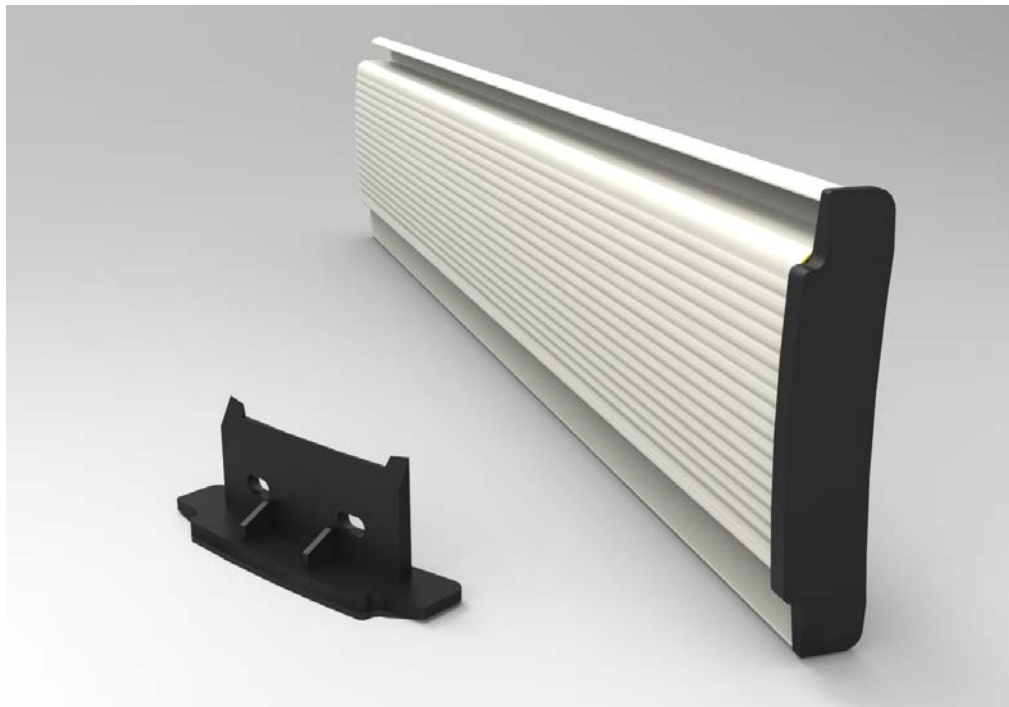
Plastic slide blockers for hooks

Plastic slide blockers that are placed in both ends of every double profile of the shutter.

Weight: 0,030kg/pc

* necessary when hooks are placed on the shutter

Art. Code: TL12DH



Plastic slide blocker

Plastic slide blockers that are placed on both sides on every each other double profile of the shutter.

Weight: 0,015kg/pc

Art. Code: TL12D



Plastic slide blockers for Aluminum extrusion profile

Plastic slide blockers that are placed in both ends of every aluminum extrusion profile.

Weight: 0,008 kg/pc

Art. Code: TL12AL

Suspension Clip

Suspension clip for winding shaft.

Weight: 0,113 kg/pc

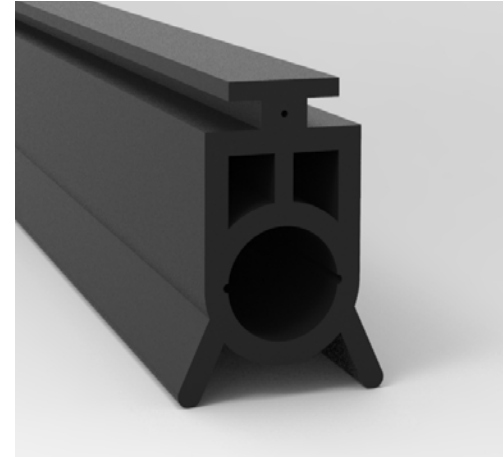
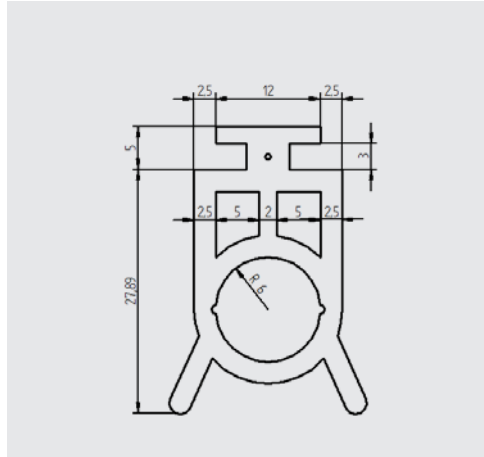
Art. Code: SC



End Rubber (Standard)

Bottom rubber
Weight: 0,45 Kg/m

Art. Code: TR376

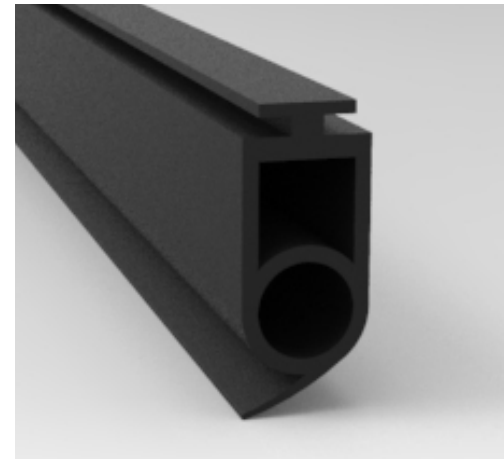
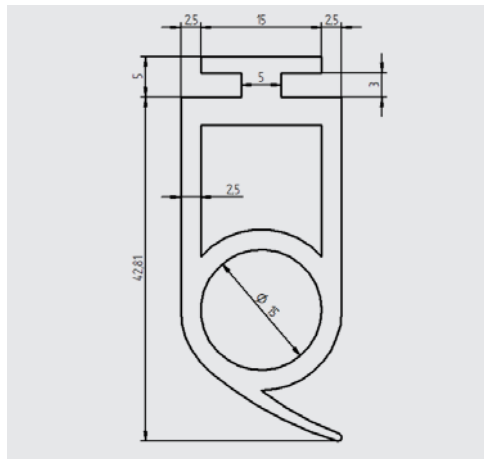


End Rubber for optosensor

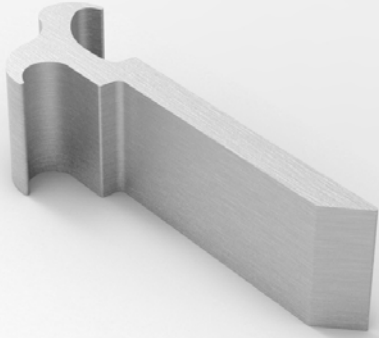
Bottom rubber for optosensor.

Weight: 0,40kg/m

Art. Code: TR400



A



B



Aluminum Hook "Twin"

Height: 26mm
Weight: 0,065kg/pc

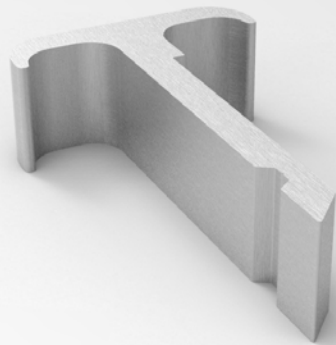
Art. Code: 40527NS

Plastic Slide for Aluminum Hook "Twin" (40527NS)

Weight: 0,039kg/pc

Art. Code: TL12DHTWIN

A



B



Aluminum Hooks

Art.: 40505N
26mm for the double profiles
Weight: 0,085kg/pc

Art.Code: 40505N

Plastic Slide for Alu hook 40505N

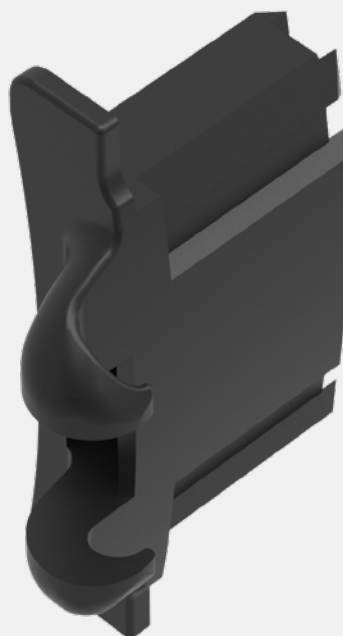
Art. Code: PSH

*in combination with TL12DH (plastic slide blocker).

A



B



Aluminum Hook One Side 26mm

Weight: 0,048 kg/pc

Art. Code: 40519N

Plastic End for Double Insulated Profile with Slide of Hook 40519N

Weight: 0,043 kg/pc

Art. Code: TL12DH1



Color Palette

Wide range of powder coating colours (AKZO NOBEL) with excellent resistance to outdoor conditions and excellent colour retention that meets the requirements of all major European architectural standards.

*Color palette is for reference only. Actual colors may differ.

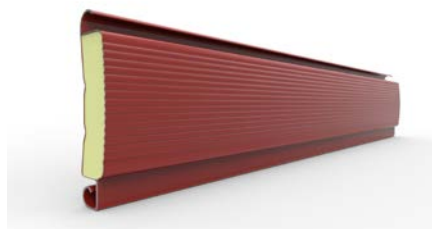
** More colors available on request.

*** Plastificated colors "except wood imitations" are delivered only on request and have a waiting period of one month.

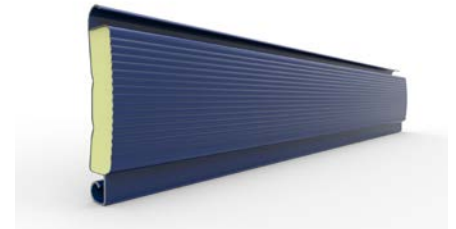
POWDER COATING COLORS // DOUBLE PROFILE (insulated)



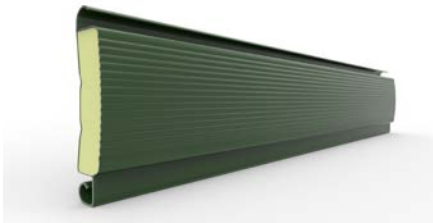
RAL-1013 / Oyster White



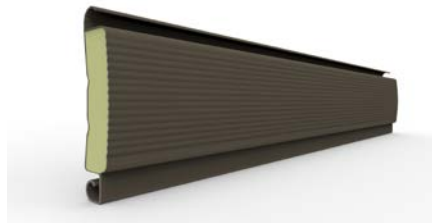
RAL-3000 / Flame Red



RAL-5010 / Gentiane Blue



RAL - 6005 / Moss Green



RAL-7015 / Slate Grey



RAL - 7016 / Anthracite Grey



RAL - 8014 / Sepia Brown



RAL - 8017 / Chocolate Brown



RAL - 9002 / Grey White



RAL - 9006 / White Aluminium



RAL - 9007 / Grey Aluminium



RAL - 9016 / Traffic White



Wood Imitation - light



Wood Imitation - dark



Galvanized



SINGLE PROFILES

- Steel sheet profiles, hot galvanized.
- Galvanized steel
- Variety of designs
- Wide range of RAL colors





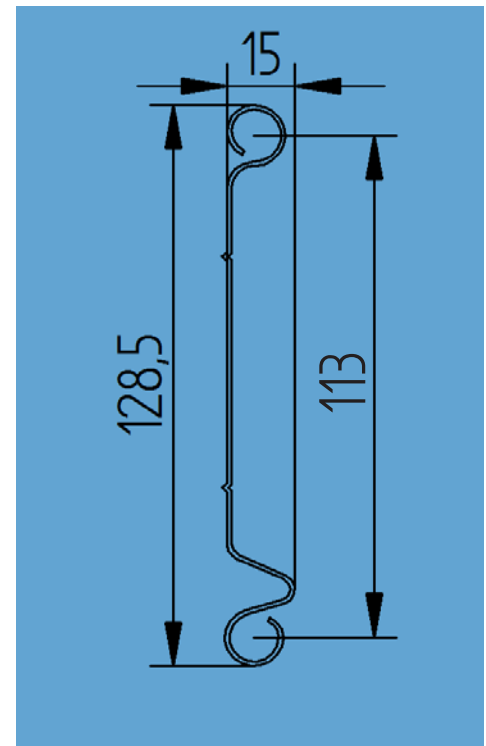
B113 Pastore Steel - Specifications

Profile	Blind	Perforated
Height/ Step - mm	128,5/113	128,5/113
Pcs /m	8,85	8,85
Thickness - mm	0,8/1,0/1,2	0,8/1,0
Weight kg/m	1,15/1,43/1,72	0,99/1,22
Maximum Production Length - Galvanized	12m	12m
Maximum Production Length - Powder Coated ¹	9m	9m
Windload (max)	W:10000x1338kg - Class 3	W:10000x1338kg - Class 3
Safe Operation	✓	✓
Operating Forces	✓	✓
Min. Shaft Diameter*	Ø159*	Ø159*
Windows/ Ventilation Grills	5pcs/ml	5pcs/ml

Combined with B113C curved profile

* The first circle of the winding must consist of antitebesta profiles. For shafts with a diameter greater than 200mm this can be omitted.

Maximum rolling shutter height: 10,000 mm. For rolling shutters higher than 10,000 mm, please contact us.



¹ Color palette available upon request

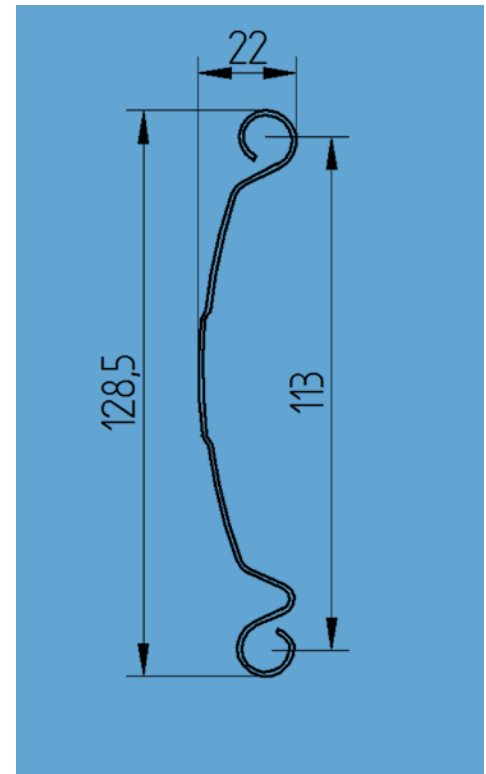
Certification according to:
EN 13241-1:2003+A2:2016





B113C Curved, Steel - Specifications

Profile	Blind	Perforated
Height/ Step - mm	128,5/113	128,5/113
Pcs /m	8,85	8,85
Thickness - mm	0,8/1,0/1,2	0,8/1,0
Weight kg/m	1,15/1,43/1,72	0,99/1,22
Maximum Production Length - Galvanized	12m	12m
Maximum Production Length - Powder Coated ¹	9m	9m
Windload (max)	W:10000x1338kg - Class 3	W:10000x1338kg - Class 3
Safe Operation	✓	✓
Operating Forces	✓	✓
Min. Shaft Diameter*	Ø159*	Ø159*
Windows/ Ventilation Grills	5pcs/ml	5pcs/ml

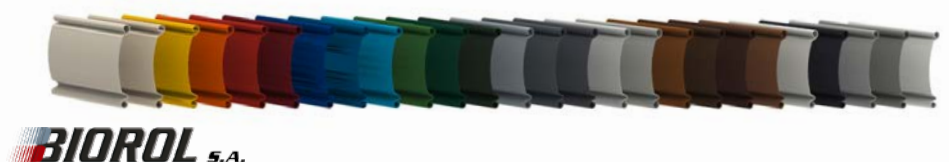


* The first circle of the winding must consist of antitebesta profiles. For shafts with a diameter greater than 200mm this can be omitted.

Maximum rolling shutter height: 10,000 mm. For rolling shutters higher than 10,000 mm, please contact us.

¹ Color palette available upon request

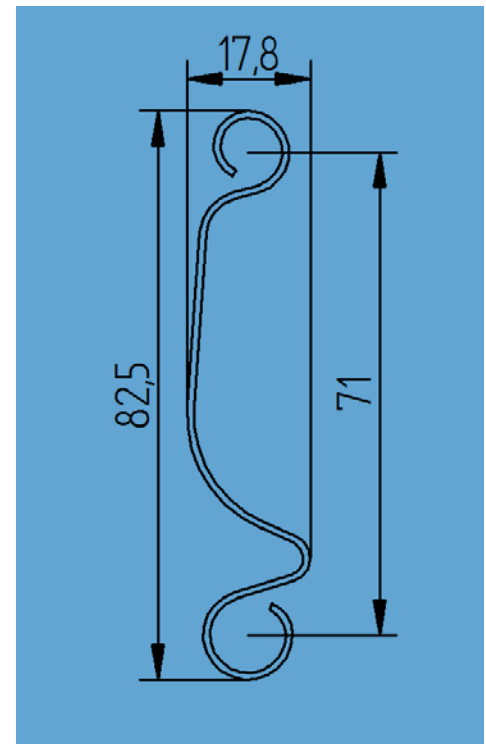
Certification according to:
EN 13241-1:2003+A2:2016





B71 Antitebesta, Steel - Specifications

Profile	Blind	Perforated
Height/ Step - mm	82,5/71	82,5/71
Pcs /m	14,08	14,08
Thickness - mm	0,8/1,0/1,2	0,8/1,0
Weight kg/m	0,85/1,06/1,28	0,67/0,83
Maximum Production Length - Galvanized	12m	12m
Maximum Production Length - Powder Coated ¹	9m	9m
Windload (max)	W:10000x1338kg - Class 3	W:10000x1338kg - Class 3
Safe Operation	✓	✓
Operating Forces	✓	✓
Min. Shaft Diameter	Ø159	Ø159
Windows/ Ventilation Grills	5pcs/ml	5pcs/ml

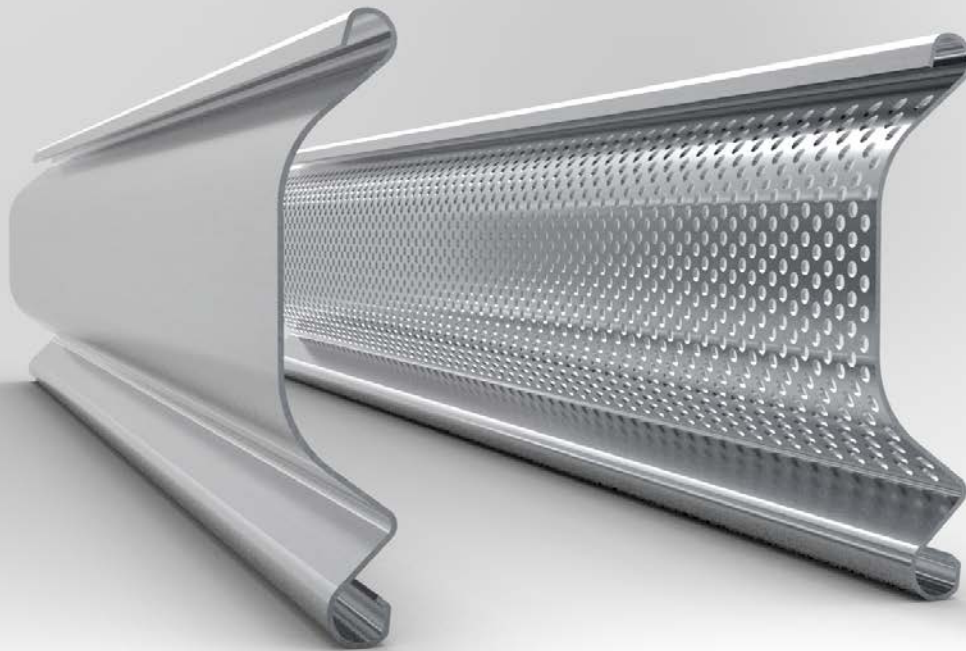


* Combined with B113C curved profile
Maximum rolling shutter height: 10,000 mm. For rolling shutters higher than 10,000 mm, please contact us.

¹ Color palette available upon request

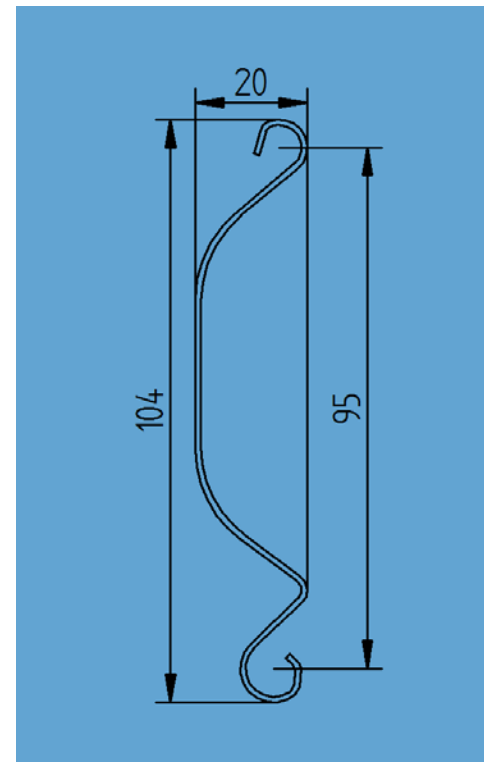
Certification according to:
 EN 13241-1:2003+A2:2016





B95 Antitebesta, Steel - Specifications

Profile	Blind	Perforated
Height/ Step - mm	104/95	104/95
Pcs /m	10,52	10,52
Thickness - mm	0,8/1,0/1,2	0,8/1,0
Weight kg/m	0,98/1,23/1,48	0,76/0,94
Maximum Production Length - Galvanized	12m	12m
Maximum Production Length - Powder Coated ¹	9m	9m
Windload (max)	W:10000x1338kg - Class 3 W:7000xH:10000 - Class 4	W:10000x1338kg - Class 3 W:7000xH:10000 - Class 4
Safe Operation	✓	✓
Operating Forces	✓	✓
Min. Shaft Diameter	Ø159	Ø159
Windows/ Ventilation Grills	5pcs/ml	5pcs/ml



* Combined with B113C curved profile

Maximum rolling shutter height: 10,000 mm. For rolling shutters higher than 10,000 mm, please contact us.

¹ Color palette available upon request

Certification according to:
EN 13241-1:2003+A2:2016

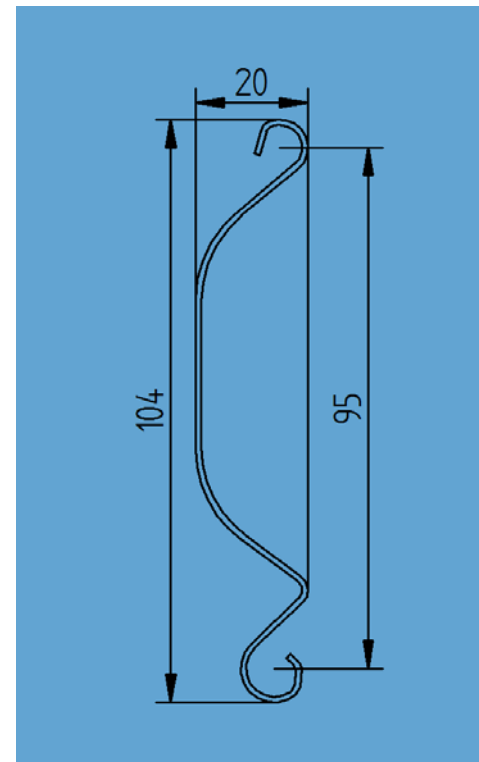


SINGLE PROFILE // B95 - Antitebesta - Aluminum



B95 Antitebesta, Aluminum - Specifications

Profile	Blind	Perforated
Height/ Step - mm	104/95	104/95
Pcs /m	10,52	10,52
Thickness - mm	1,0	1,0
Weight kg/m	0,405	0.360
Maximum Production Length - Galvanized	12m	12m
Maximum Production Length - Powder Coated ¹	9m	9m
Windload (max)	W:6020x6000 - Class 3	W:6020x6000 - Class 3
Safe Operation	✓	✓
Operating Forces	✓	✓
Min. Shaft Diameter	Ø159	Ø159
Windows/ Ventilation Grills	5pcs/ml	5pcs/ml



* Combined with B113C curved profile aluminum

¹ Color palette available upon request

Certification according to:
EN 13241-1:2003+A2:2016



WINDOWS & GRILLS

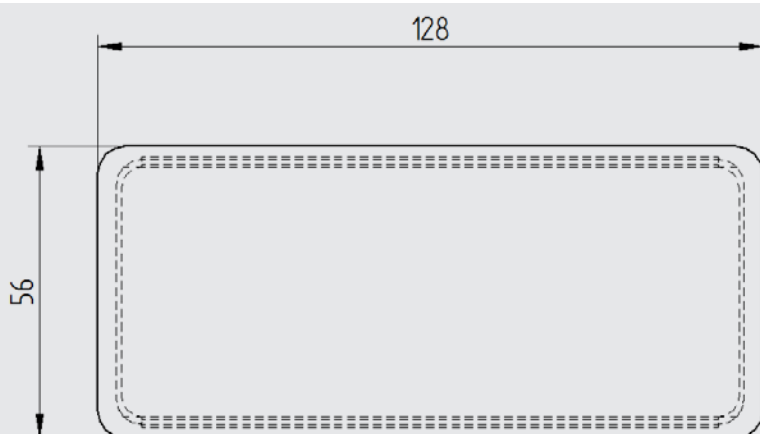


Windows

PLEXI GLASS (128x56mm) windows, for natural lighting. They are placed only on B113C Curved profile which in turn can be combined with any of the rest profiles.

Weight: 0,016 kg/pc

Art. Code: W12856



Support for big window

It is placed in both sides of plexiglass big window(600x64)

Weight: 0,019 Kg/pc

Art. Code: W50064S

Aluminum Extrusion Profile ES1

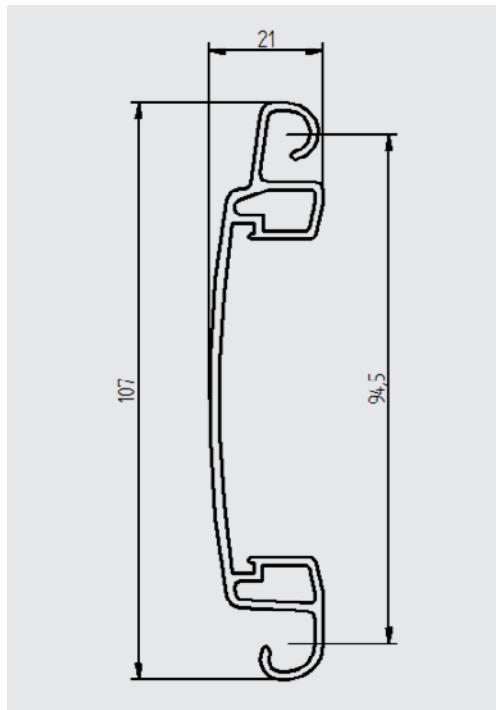
Aluminium profile (for window placement)

Weight: 1,0 Kg/m

Length: 5,0 -5,5-6,0-6,5-7,0-10m
(Natural & White)

-Up to 9m length powder coated

Art. Code: ES1P(40502)

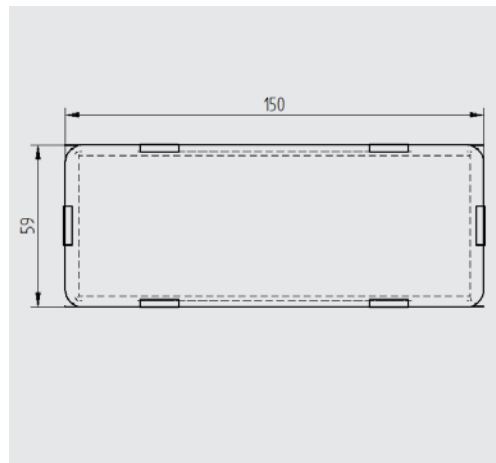


Windows

PLEXI GLASS (150x60mm) windows on aluminum extrusion profile (40502) option, for natural lighting.

Peso: 0,024kg/pc

Art. Code: W15060

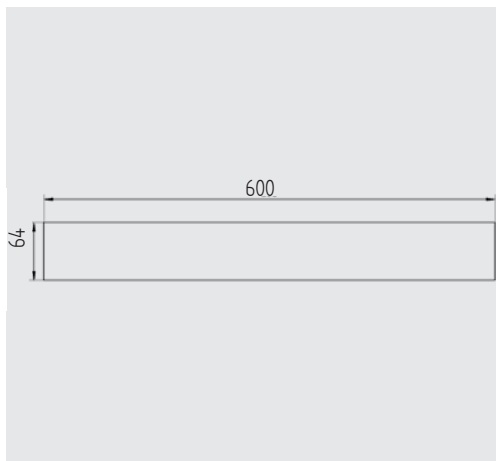


Windows

PLEXI GLASS (600x64mm) windows on aluminum extrusion profile(40502) option, when additional natural lighting is required.

Weight: 0,113/kg/pc

Art. Code: W60064

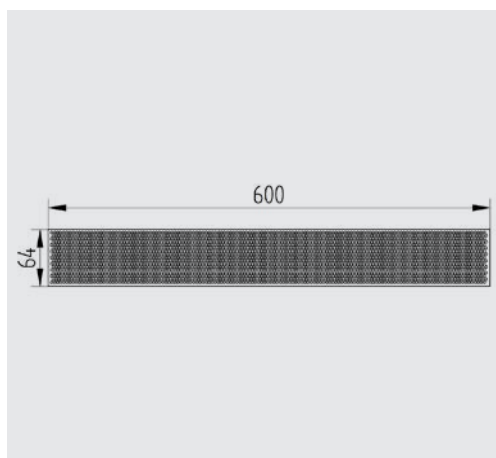


Perforated Grills

Pefrorated Grills option. Metal plates with 3mm holes for natural ventilation, placed on an aluminum extrusion profile (40502)

Art. Code: W50064S

* Special product
please contact us for construction



ACCESSORIES

Plastic slide blockers for B113 profile

Plastic slide blockers that are placed in both ends of every other profile of the shutter.

Weight: 0,012 kg/pc

Art. Code: TL12P



Plastic slide blocker for B113C curved profile

Plastic slide blockers that are placed on both sides on every other profile of the shutter.

Weight: 0,014 kg/

Art. Code: TL12PC



Plastic slide blockers for B95 profile

Plastic slide blockers that are placed in both ends of every other profile of the shutter.

Weight: 0,014 kg/pc

Art. Code: TL12AB





Plastic slide blockers for B71 profile

Plastic slide blockers that are placed in both ends of every other profile of the shutter.

Weight: 0,012 kg/pc

Art. Code: TL12A



Plastic slide blockers for Aluminum ES1 extrusion profile

Plastic slide blockers that are placed in both ends of every aluminum extrusion profile.

Weight: 0,008 kg/pc

Profile Code: 40502

Art. Code: TL12AL



Cover for Strut "V"

Cover for strut "V" 105

Weight: 0,016 kg/pc

Art. Code: PC105

Suspension Clip

Suspension clip for winding shaft.

Weight: 0,113 kg/pc

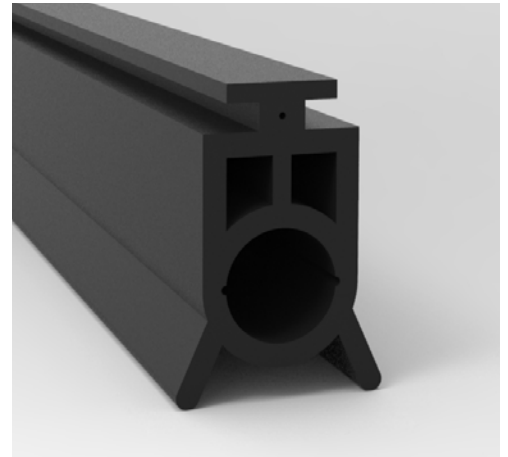
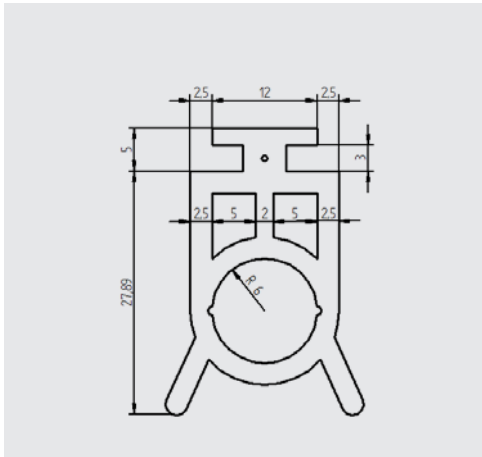
Art. Code: SC



End Rubber (Standard)

Bottom rubber
Weight: 0,45 Kg/m

Art. Code: TR376

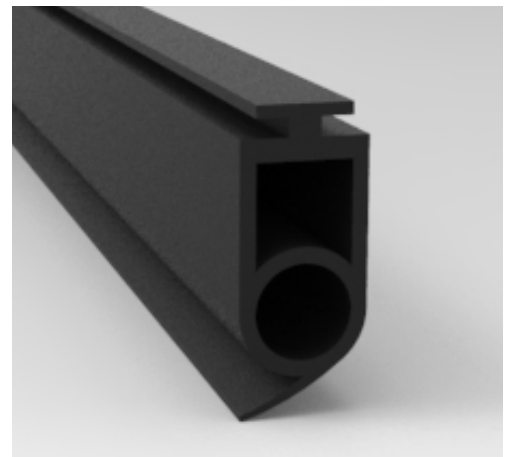
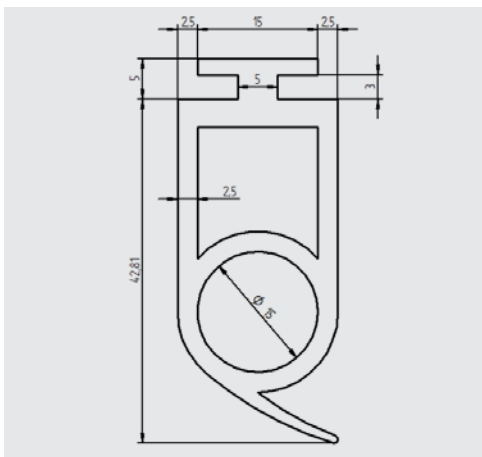


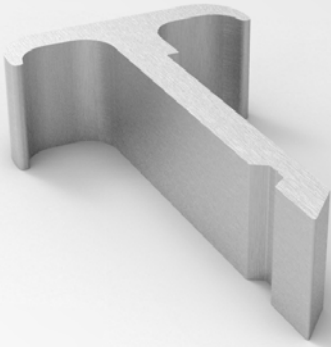
End Rubber for optosensor

Bottom rubber for optosensor.

Weight: 0,40kg/m

Art. Code: TR400



A**B**

Aluminum Hooks

26mm for the double profiles
Weight: 0,08kg/pc

Art.Code: 40505N

Plastic Slide for Alu hook 40505N

Art. Code: PSH

A

Metal Strut "V"

Metal strut from galvanized steel.

Height: 105mm
Dimensions: 105x105x1mm
Weight: 2kg/m

Art. Code: V105

B

"U" Profile

Weight: 0,54kg/m
Dimensions: 15x15x1,5mm

Art. Code: BU15

Bottom Aluminum Profile

Bottom aluminum extrusion profile:

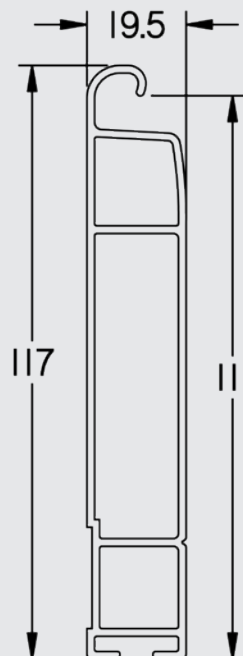
- Up to 10m length natural

- Up to 9m length powder coated

Weight:

1,17kg/m Natural

1,2kg/m Powder Coated



Art. Code: 40503



Color Palette

Wide range of powder coating colours (AKZO NOBEL) with excellent resistance to outdoor conditions and excellent colour retention that meets the requirements of all major European architectural standards.

*Color palette is for reference only. Actual colors may differ.

** More colors available on request.

RAL-7001



RAL-1013



RAL-1015



RAL-1021



RAL-2004



RAL-3000



RAL-3004



RAL-5002



RAL-5010



RAL-5012



RAL-6001



RAL-6005



RAL-6009



RAL-7011



RAL-7015



RAL-7016



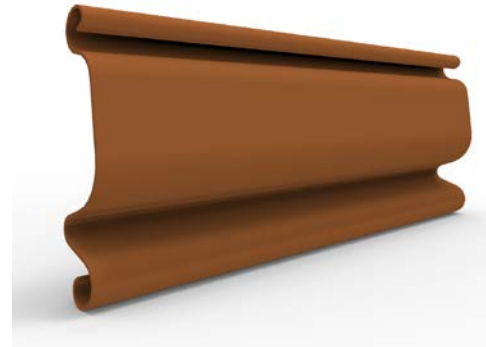
RAL-7035



RAL-7038



RAL-8003



RAL-8014



RAL-8017



RAL-8024



RAL-9002



RAL-9005



RAL-9006



RAL-9007



RAL-9016



Galvanized

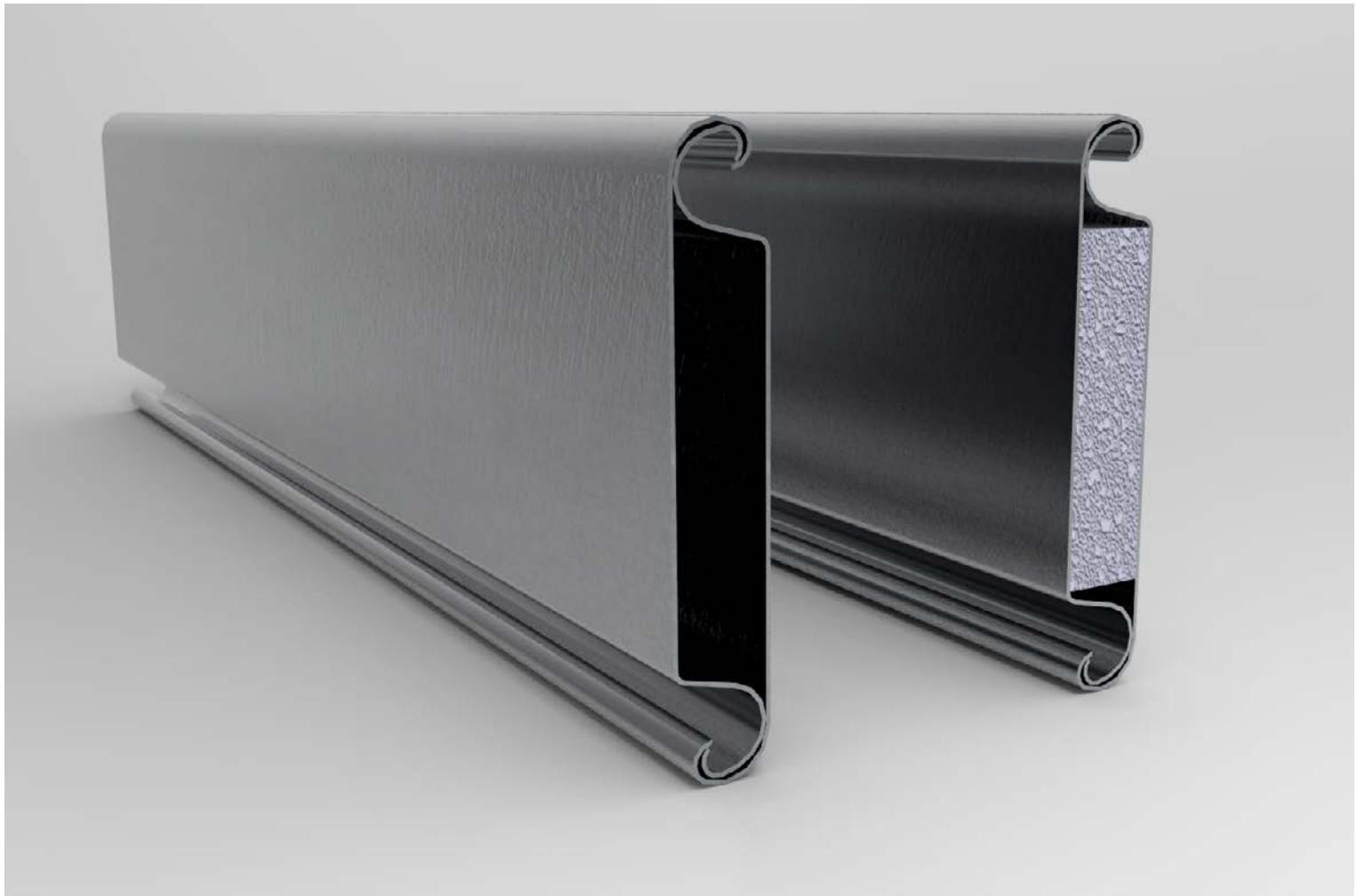




DOUBLE PROFILES STEEL - DB

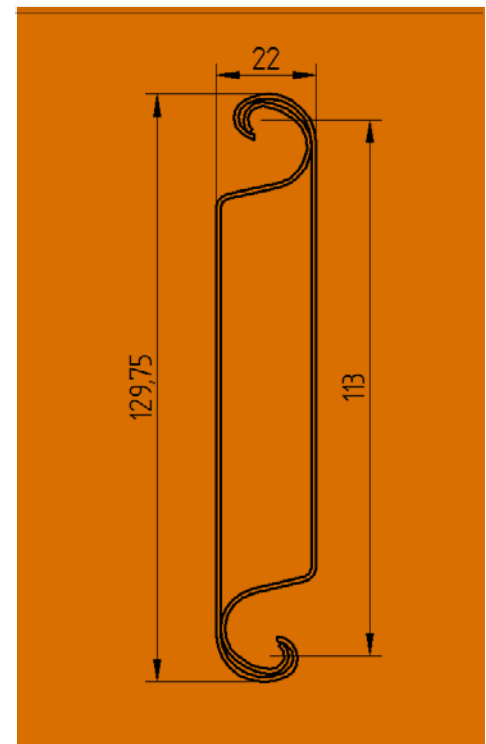
- Double Steel sheet profiles, hot galvanized.
- Galvanized steel
- Wide range of RAL colors





Double Walled - DB - Specifications

Profile	Blind
Height/ Step - mm	129,7/113
Pcs /m	8,5
Thickness - mm	0,8/1,0
Weight kg/m	2,3/2,88
Maximum Production Length - Galvanized	12m
Maximum Production Length - Powder Coated ¹	9m
Min. Shaft Diameter	Ø159
Windload (max)	W:7000 x 1338kg Class 3
Safe Operation	✓
Operating Forces	✓



Maximum rolling shutter height: 10,000 mm. For rolling shutters higher than 10,000 mm, please contact us.

¹ Color palette available upon request

Certification according to:
EN 13241-1:2003+A2:2016



ACCESSORIES

Plastic Slide blocker for DB profile

Weight: 0,033 kg/pc

Art. Code: TL120D



Metal Strut "V"

Metal strut from galvanized steel.

Height: 105mm

Dimensions: 105x105x1mm

Weight: 2kg/m

Art. Code: V105

Cover for Strut "V"

Weight: 0,016 kg/pc

Art. Code: PC105



Suspension Clip

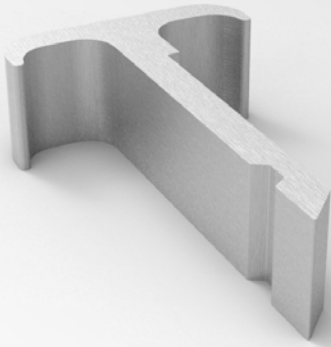
Suspension clip for winding shaft.

Weight: 0,113 kg/pc

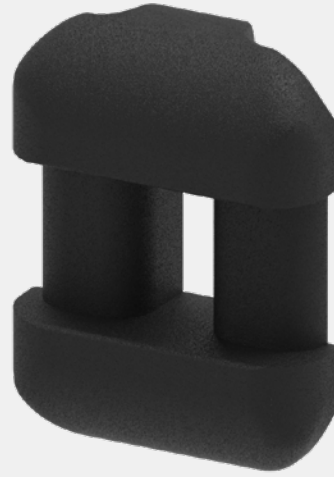
Art. Code: SC



A



B



Aluminum Hooks

Art.: 40505N

26mm for the double profiles

Weight: 0,08kg/pc

Art.Code: 40505N

Plastic Slide for Alu hook 40505N

Art. Code: PSH



Bottom Profile

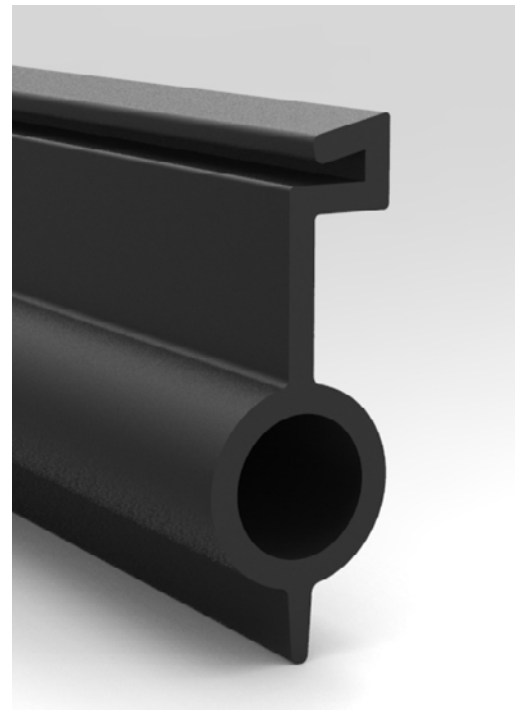
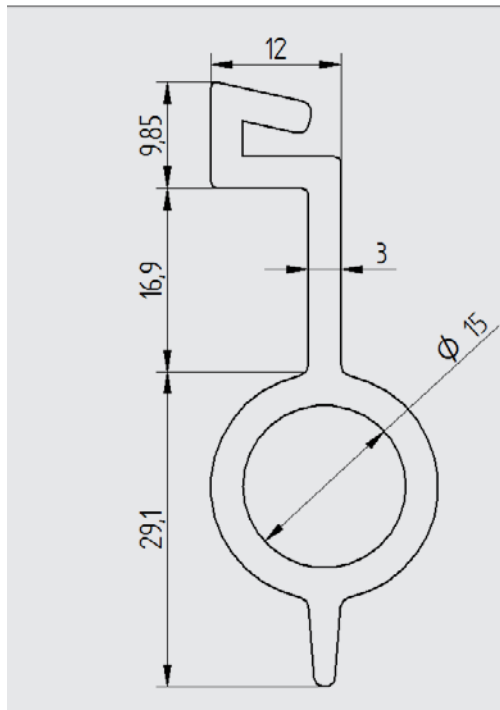
Peso: 1,7 kg/m

Art. Code: BB40G

End Rubber

Weight: 0,5 kg/m

Art. Code: G0011

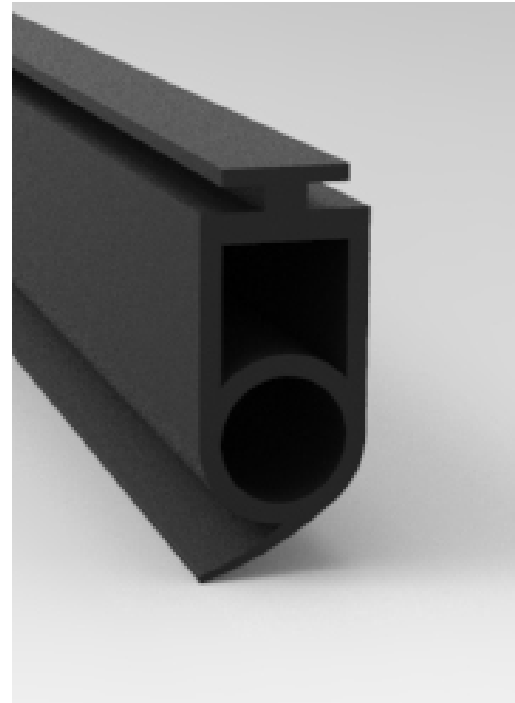
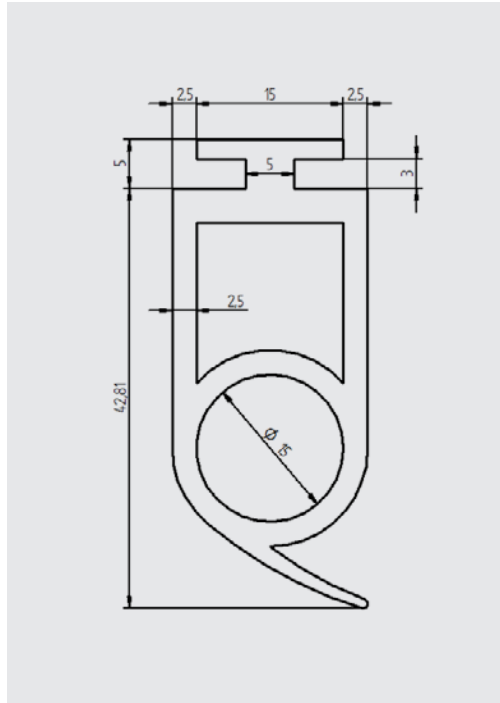


End Rubber for optosensor

Bottom rubber for optosensor.

Weight: 0,40kg/m

Art. Code: TR400



Tube for Bottom Profile

Dimensions: 30x20x1,5mm

Weight: 1,2 kg/m

Art. Code: BB3020





Color Palette

Wide range of powder coating colours (AKZO NOBEL) with excellent resistance to outdoor conditions and excellent colour retention that meets the requirements of all major European architectural standards.

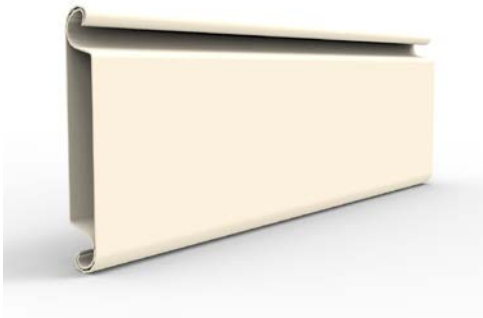
*Color palette is for reference only. Actual colors may differ.

** More colors available on request.

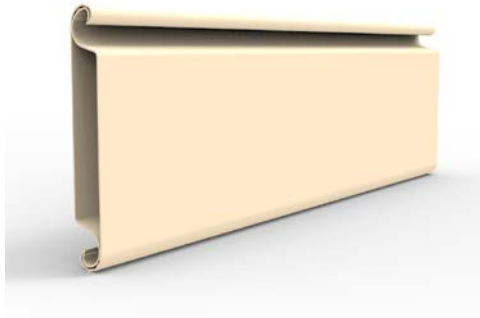
RAL-7001



RAL-1013



RAL-1015



RAL-1021



RAL-2004



RAL-3000



RAL-3004



RAL-5002



RAL-5010



RAL-5012



RAL-6001



RAL-6005



RAL-6009



RAL-7011



RAL-7015



RAL-7016



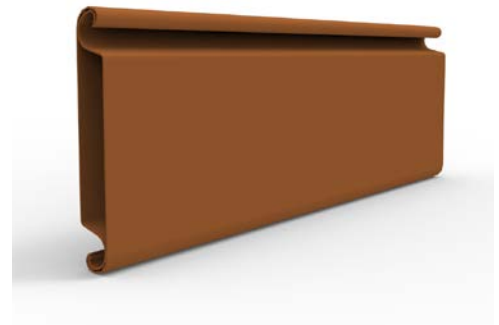
RAL-7035



RAL-7038



RAL-8003



RAL-8014



RAL-8017



RAL-8024



RAL-9002



RAL-9005



RAL-9006



RAL-9007



RAL-9016



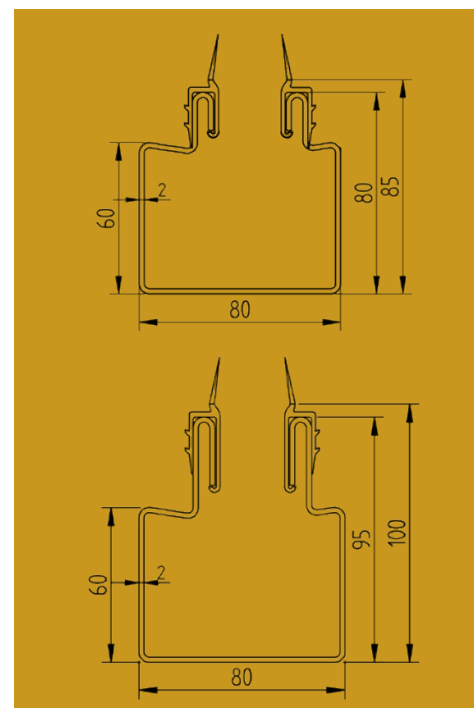
Galvanized





Guide "Omega" with lips - Specifications

Art. Code	GSPW - 80	GSPW - 95
Weight	4,7 kg/m	5,5 kg/m
Dimensions	80x80mm	95x80mm
Steel Thickness	2mm	2mm
Material	Galvanized Steel	Galvanized Steel
Maximum Length	12m	12m
Hole Dimensions (Big/Small)	27mm/10mm	27mm/10mm
Hole Distance	500mm	500mm
Other Options	Powder Coated	Powder Coated



¹ Color palette available upon request

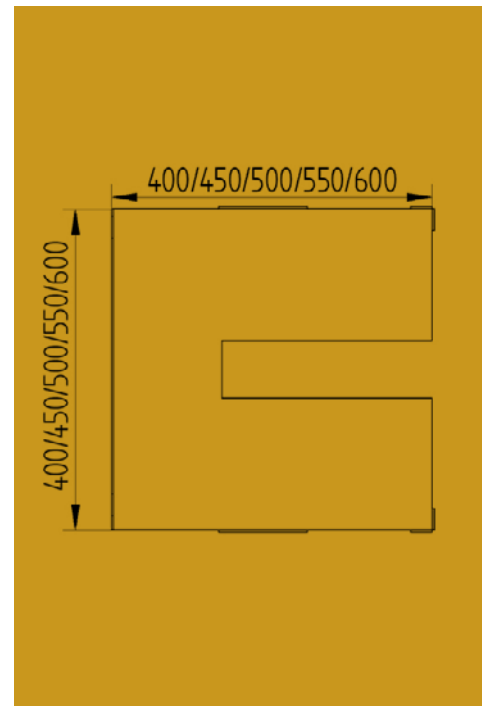
Certification according to:
EN 13241-1:2003+A2:2016





Side Support - Specifications

Art. Code	FL40 GIND	FL45 GIND	FL50 GIND	FL55 GIND	FL60 GIND
Weight	9,2 kg/pair	10 kg/pair	12,2 kg/pair	14,6 kg/pair	17,4 kg/pair
Dimensions	400x400mm	450x450mm	500x500mm	550x550mm	600x600mm
Thickness	3mm	3mm	3mm	3mm	3mm
Material	Galvanized Steel	Galvanized Steel	Galvanized Steel	Galvanized Steel	Galvanized Steel
Other Options	Powder Coated	Powder Coated	Powder Coated	Powder Coated	Powder Coated



¹ Color palette available upon request

Certification according to:
EN 13241-1:2003+A2:2016

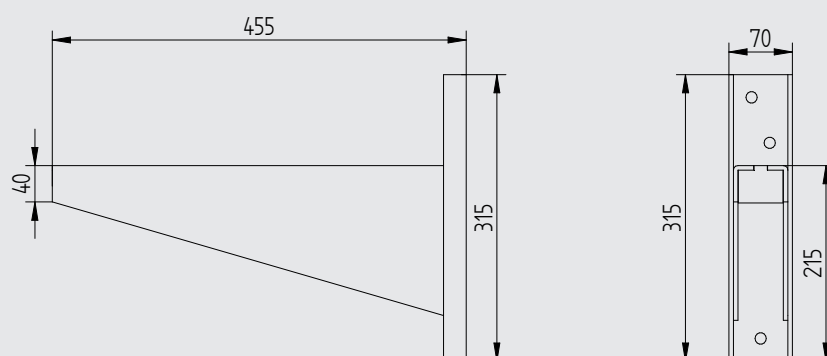




Side Mount 1/5

Weight: 5,3 kg/pc
Lifting capacity: 500 kg

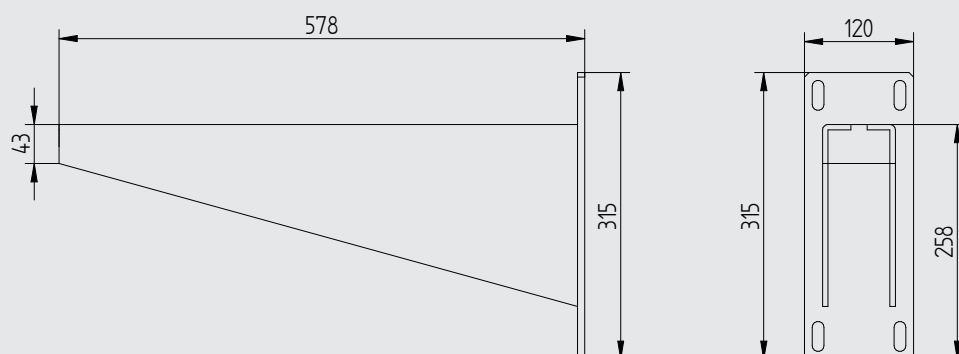
Art. Code: SUPR15



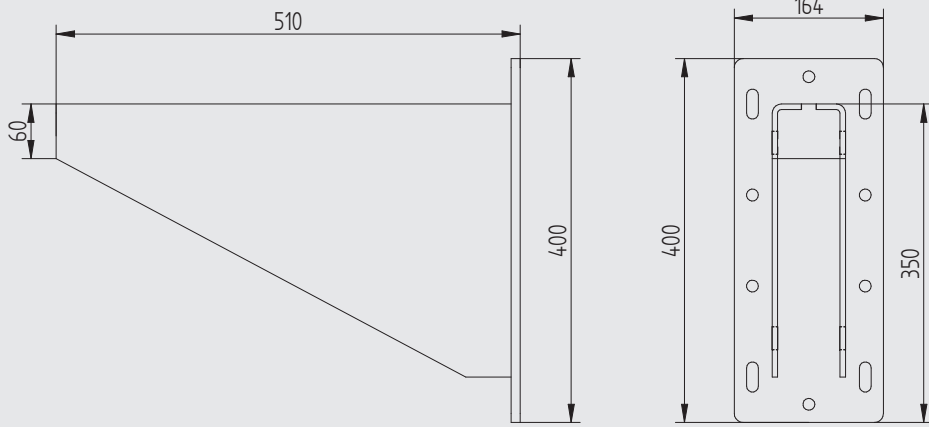
Side Mount 1/7

Weight: 9,6 kg/pc
Lifting Capacity: 800kg

Art. Code: SUPR17



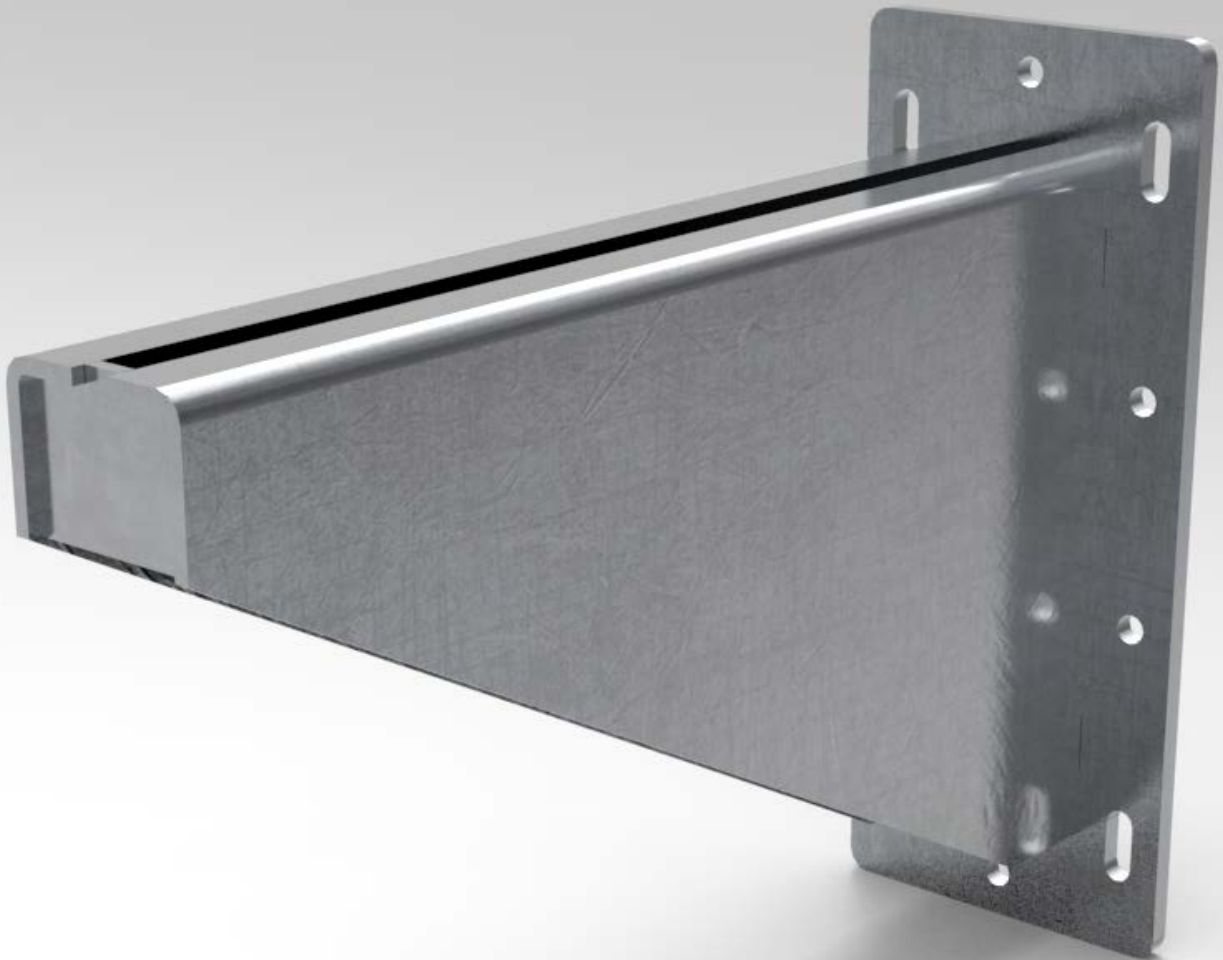
Side Mount - Specifications



Side Mount

Weight: 15,4 kg/pc
Lifting Capacity: 1400kg

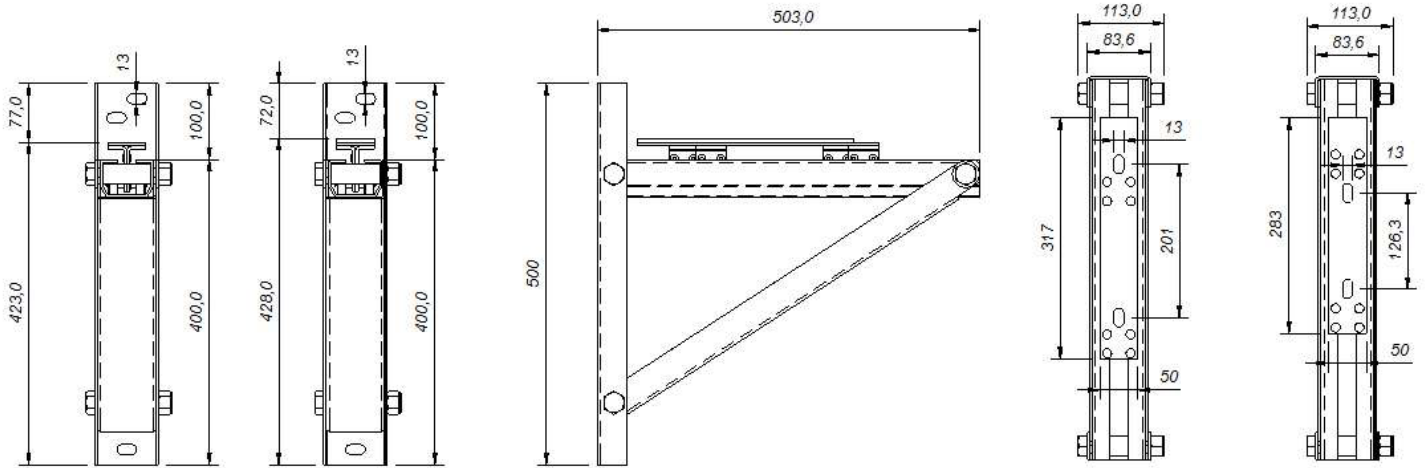
Art. Code: SUPB-GK



SLIDING BRACKETS MS75

Weight: 17,7 kg/pair
Lifting capacity: 764 kg

Art. Code: MS75



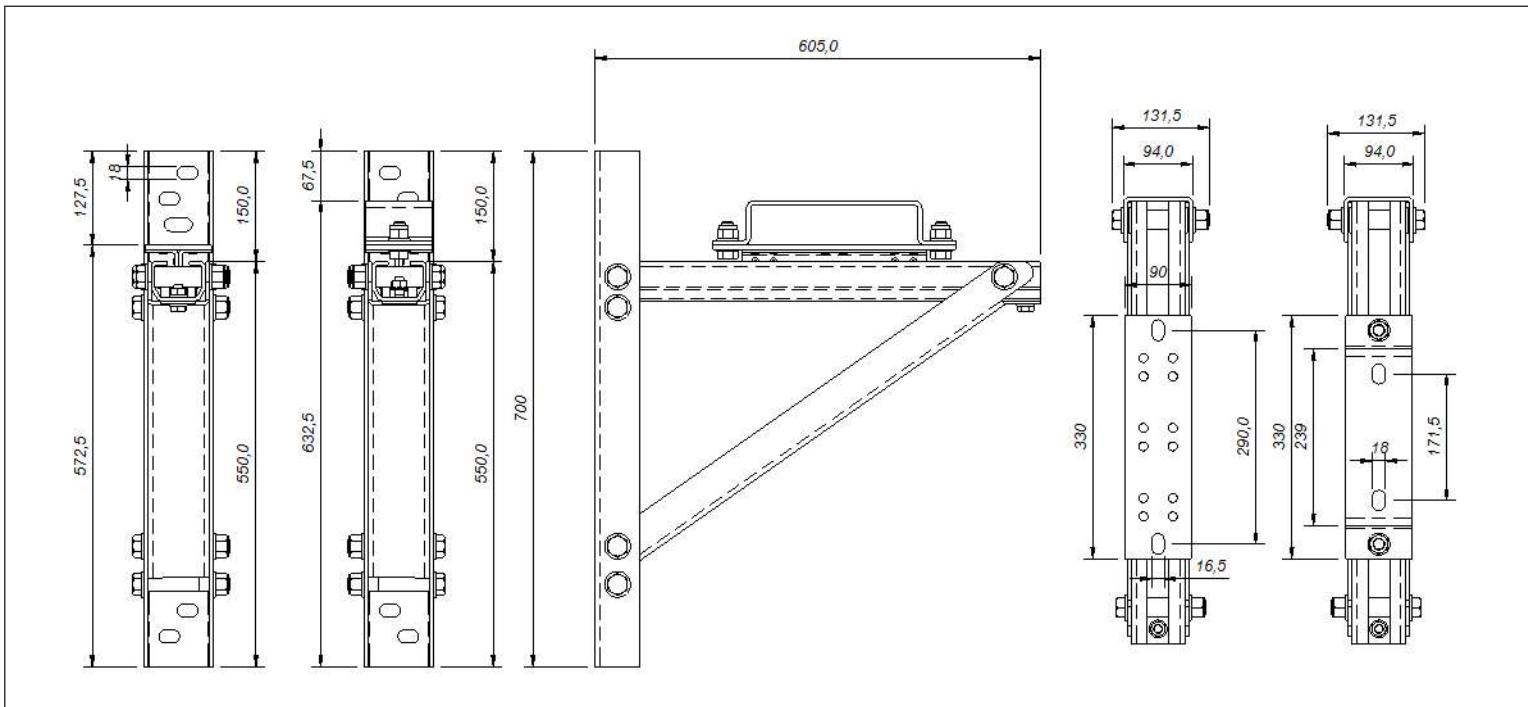


SLIDING BRACKETS MS120

Weight: 42 kg/pair

Lifting capacity: 1223 kg

Art. Code: MS120



Guide Support

Support that is used to fix the guides onto the wall.

Weight: 0,450 kg/pc

Art. Code: SUP-W

ACCESSORIES



Top Sealing Brush

Length: 3m

Weight:

Art. Code: DF400



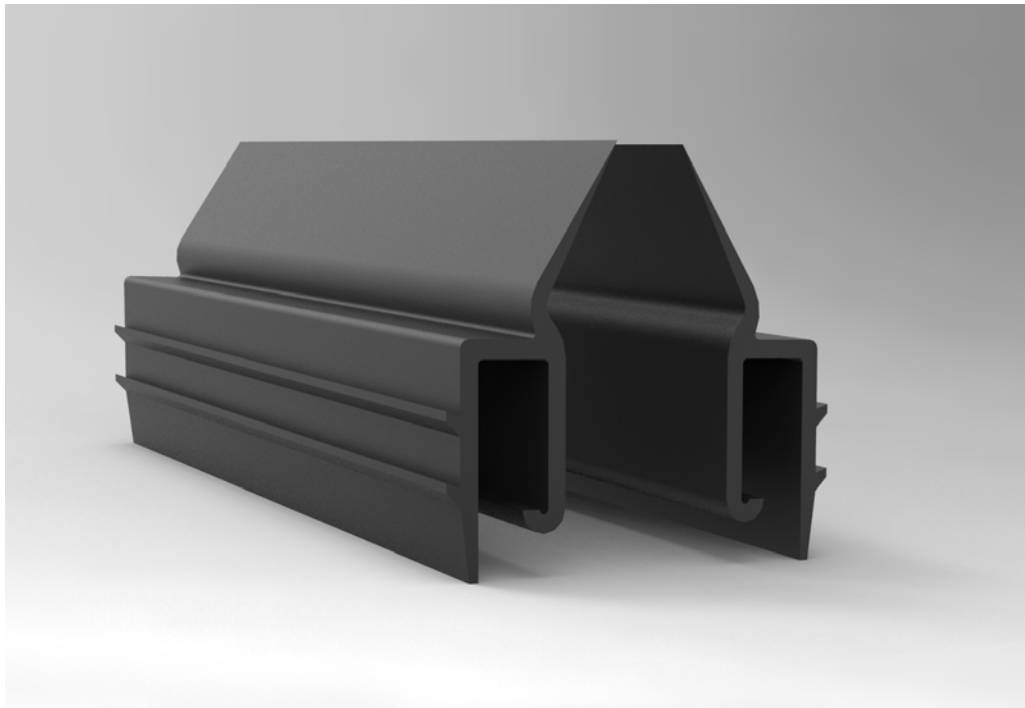
Top Sealing Brush

Length: 3m

Weight: 2,5 kg/pc

Art. Code: DF500





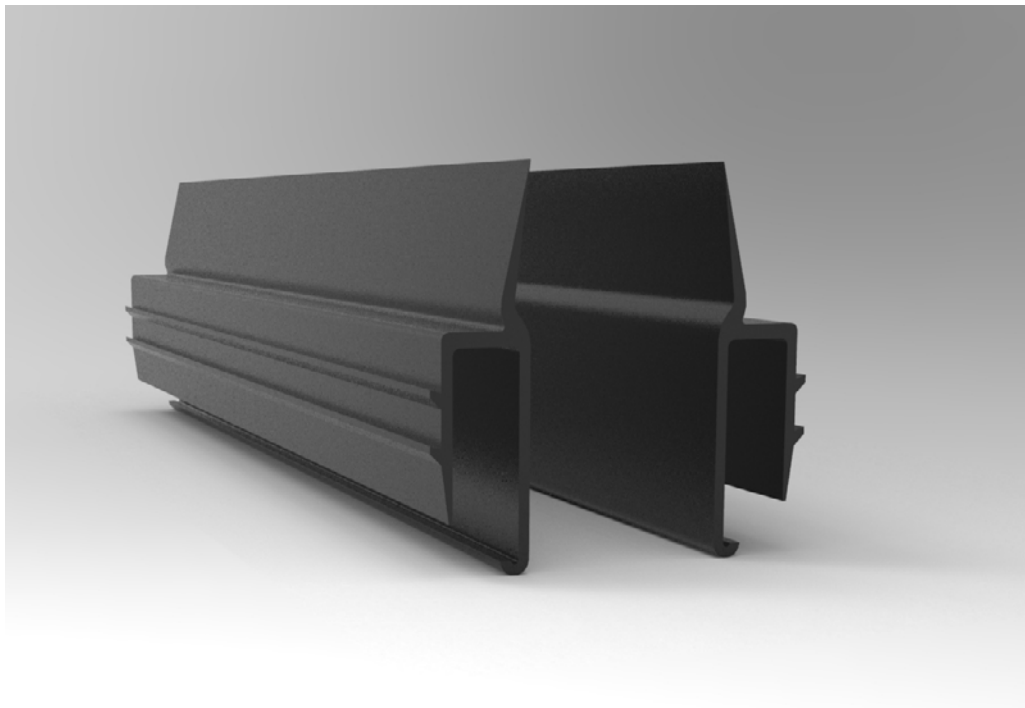
Guide Rubber Seal

Rubber seal without brush that is used with the "Omega with lips" guide.

Weight: 0,215 kg/m

Art. Code:

1085 - 4500
1085 - 5000
1085 - 5500
1085 - 6000
1085 - 7000
1085 - 8000



Guide Rubber Seal

Rubber seal that is used with the "GSPW 95" Guide with lips.

Weight: 0,223 kg/m

Art. Code:

1095 - 4500
1095 - 5000
1095 - 5500
1095 - 6000
1095 - 7000
1095 - 8000



Color Palette

Wide range of powder coating colours (AKZO NOBEL) with excellent resistance to outdoor conditions and excellent colour retention that meets the requirements of all major European architectural standards.

*Color palette is for reference only. Actual colors may differ.

** More colors available on request.

RAL-7001



RAL-1013



RAL-1015



RAL-1021



RAL-2004



RAL-3000



RAL-3004



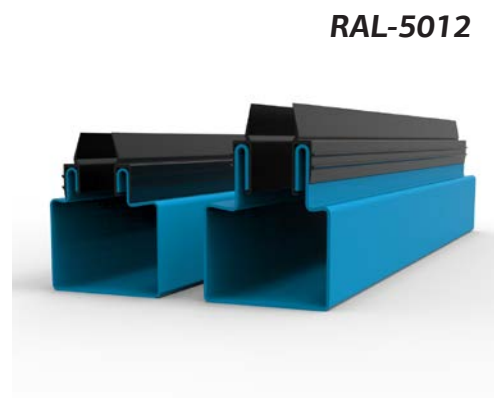
RAL-5002



RAL-5010



RAL-5012



RAL-6001



RAL-6005



RAL-6009



RAL-7011



RAL-7015



RAL-7016



RAL-7035



RAL-7038



RAL-8003



RAL-8014



RAL-8017



RAL-8024



RAL-9002



RAL-9005



RAL-9006



RAL-9007

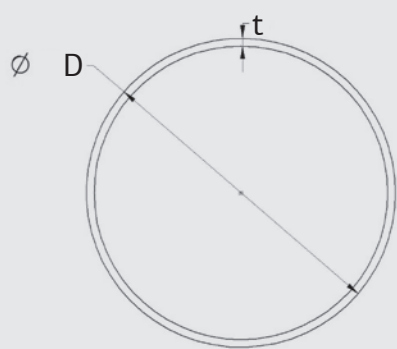
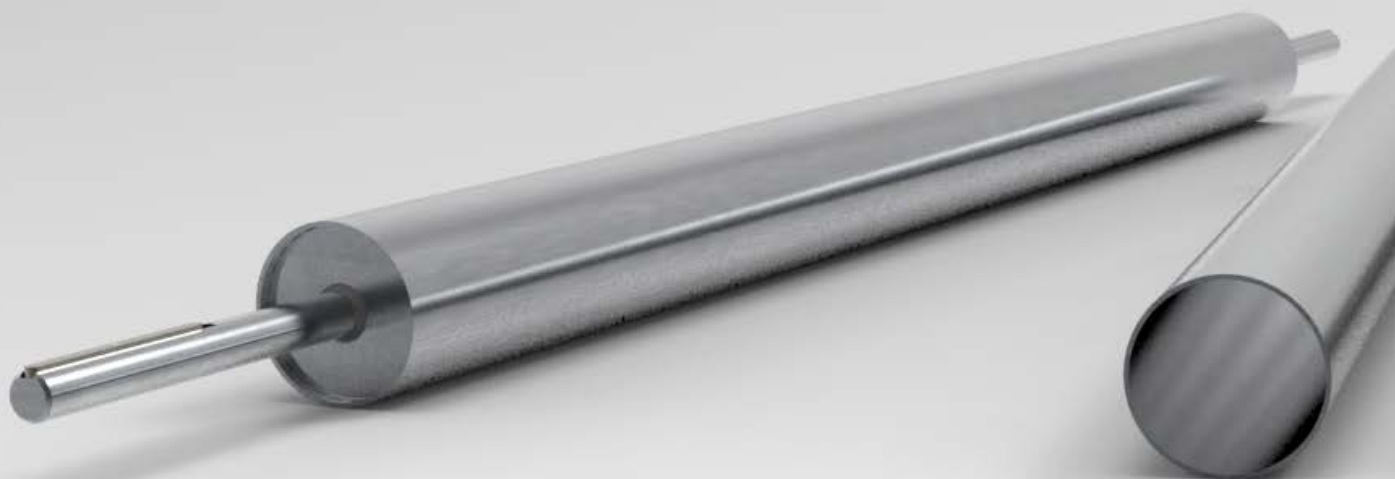


RAL-9016



Galvanized





Shaft in diameter from \varnothing 133 to \varnothing 323,9 and thickness from 4mm to 8mm.

Available in all diameters shown in the table above according to the requirements of each case. They have flanged edges (both sides) which are welded into the shaft of the rolling shutter.

L - Length

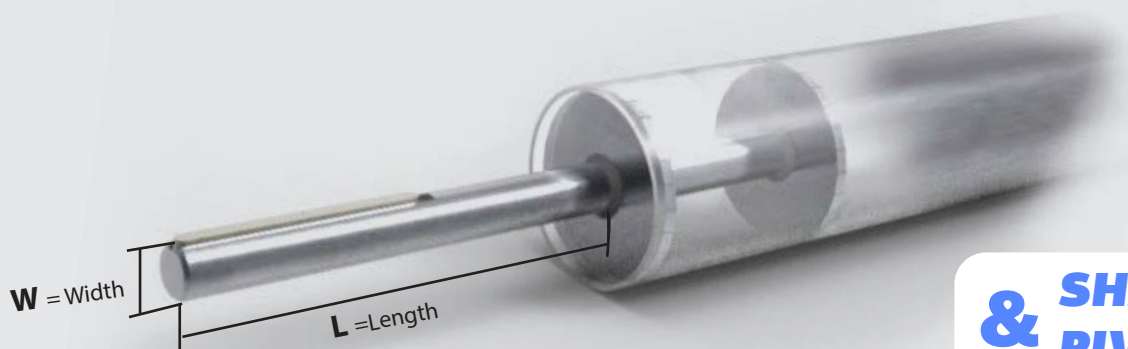
140 mm
160 mm
200 mm
220 mm
260 mm
280 mm

d - Pivot Diameter

\varnothing 30 mm
 \varnothing 40 mm
 \varnothing 50 mm
 \varnothing 55 mm

Shaft

Art. Code	BB 133	BB 159	BB 168	BB 177	BB 193	BB 219	BB 244	BB 273	BB 298	BB 323
Diameter (D)	\varnothing 133	\varnothing 159	\varnothing 168.3	\varnothing 177.8	\varnothing 193.7	\varnothing 219.1	\varnothing 244.5	\varnothing 273	\varnothing 298,5	\varnothing 323,9



**& SHAFT END
PIVOT**

**Suspension
Clip**

Suspension clip for
winding shaft.

Weight: 0,113 kg/pc

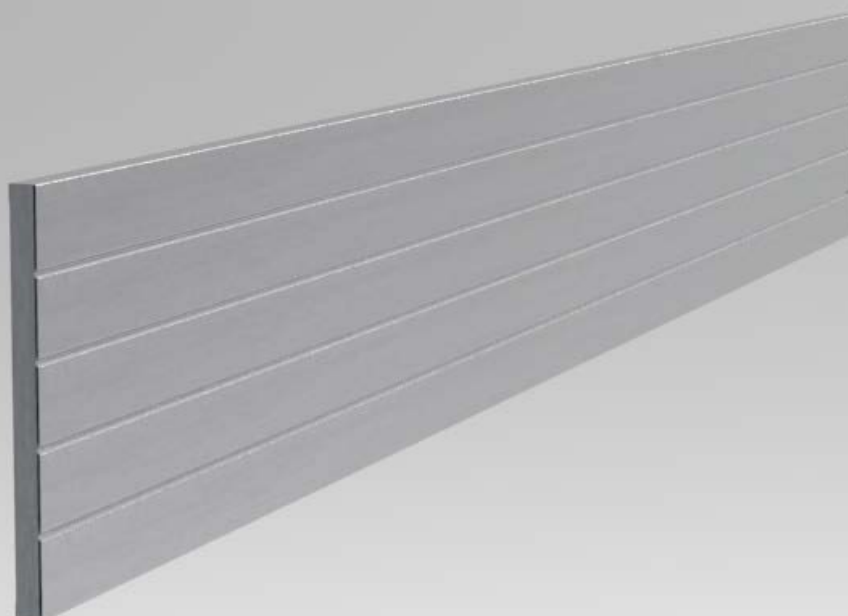
Art. Code : SC





Front Frame - Specifications

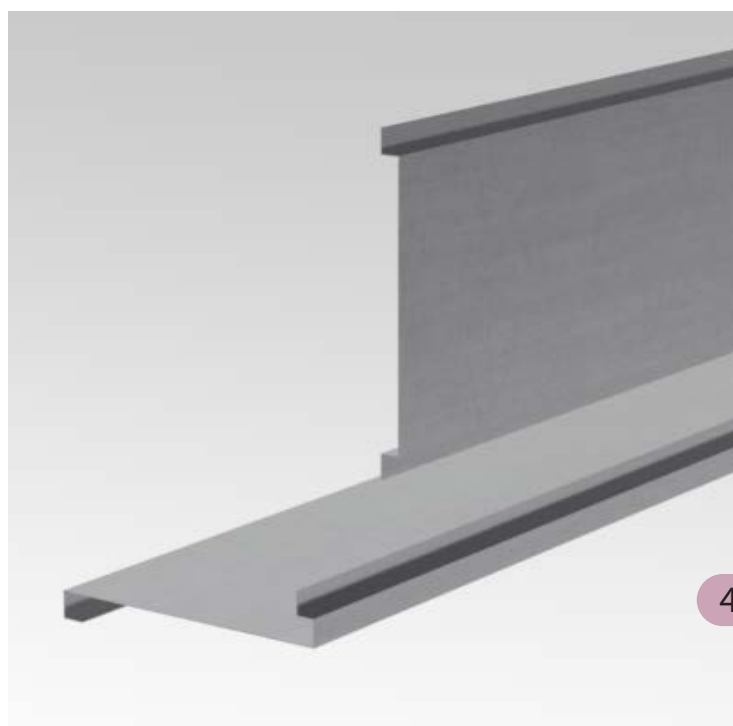
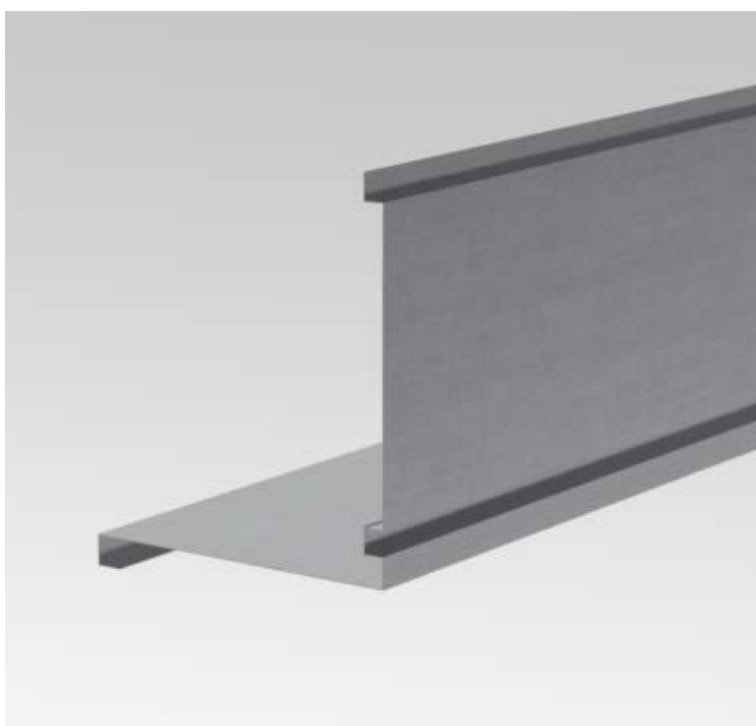
Art. Code	FRAME 400	FRAME 450	FRAME 500	FRAME 550	FRAME 600
Weight	4 kg/m	4,4 kg/m	4,8 kg/m	5,2 kg/m	5,6 kg/m
Dimensions	400x30mm	450x30mm	500x30mm	550x30mm	600x30mm
Steel Thickness	1mm	1mm	1mm	1mm	1mm
Material	Galvanized Steel	Galvanized Steel	Galvanized Steel	Galvanized Steel	Galvanized Steel
Other Options	Powder Coated	Powder Coated	Powder Coated	Powder Coated	Powder Coated





Two Side Box - Specifications

Art. Code	BOX 400	BOX 450	BOX 500	BOX 550	BOX 600
Weight	7,2 kg/m	8 kg/m	8,8 kg/m	9,6 kg/m	10,4 kg/m
Dimensions	400x400mm	450x450mm	500x500mm	550x30mm	600x30mm
Steel Thickness	1mm	1mm	1mm	1mm	1mm
Material	Galvanized Steel	Galvanized Steel	Galvanized Steel	Galvanized Steel	Galvanized Steel
Other Options	Powder Coated	Powder Coated	Powder Coated	Powder Coated	Powder Coated



THREE SIDE BOX



Three Side Box - Specifications

Art. Code	BOX 400	BOX 450	BOX 500	BOX 550	BOX 600
Weight	10,5 kg/m	11,5 kg/m	12,8 kg/m	14 kg/m	15,2 kg/m
Dimensions	400x400mm	450x450mm	500x500mm	550x550mm	600x600mm
Steel Thickness	1mm	1mm	1mm	1mm	1mm
Material	Galvanized Steel	Galvanized Steel	Galvanized Steel	Galvanized Steel	Galvanized Steel
Other Options	Powder Coated	Powder Coated	Powder Coated	Powder Coated	Powder Coated

