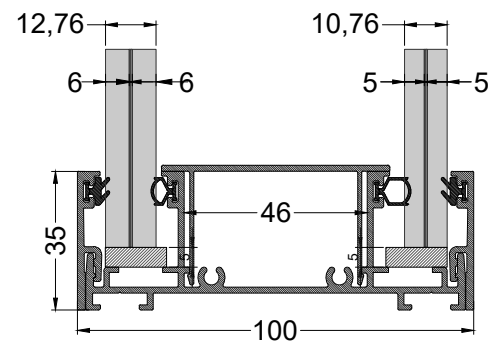


premium
by oca

Luxury in each detail

premium

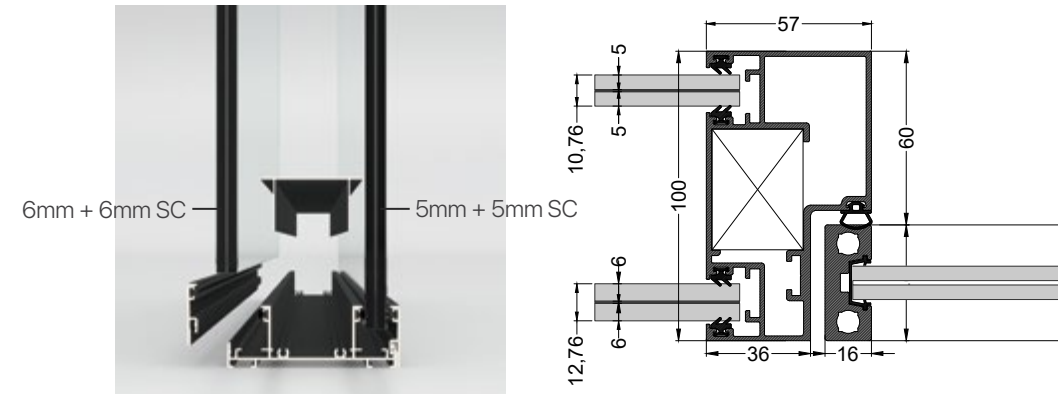
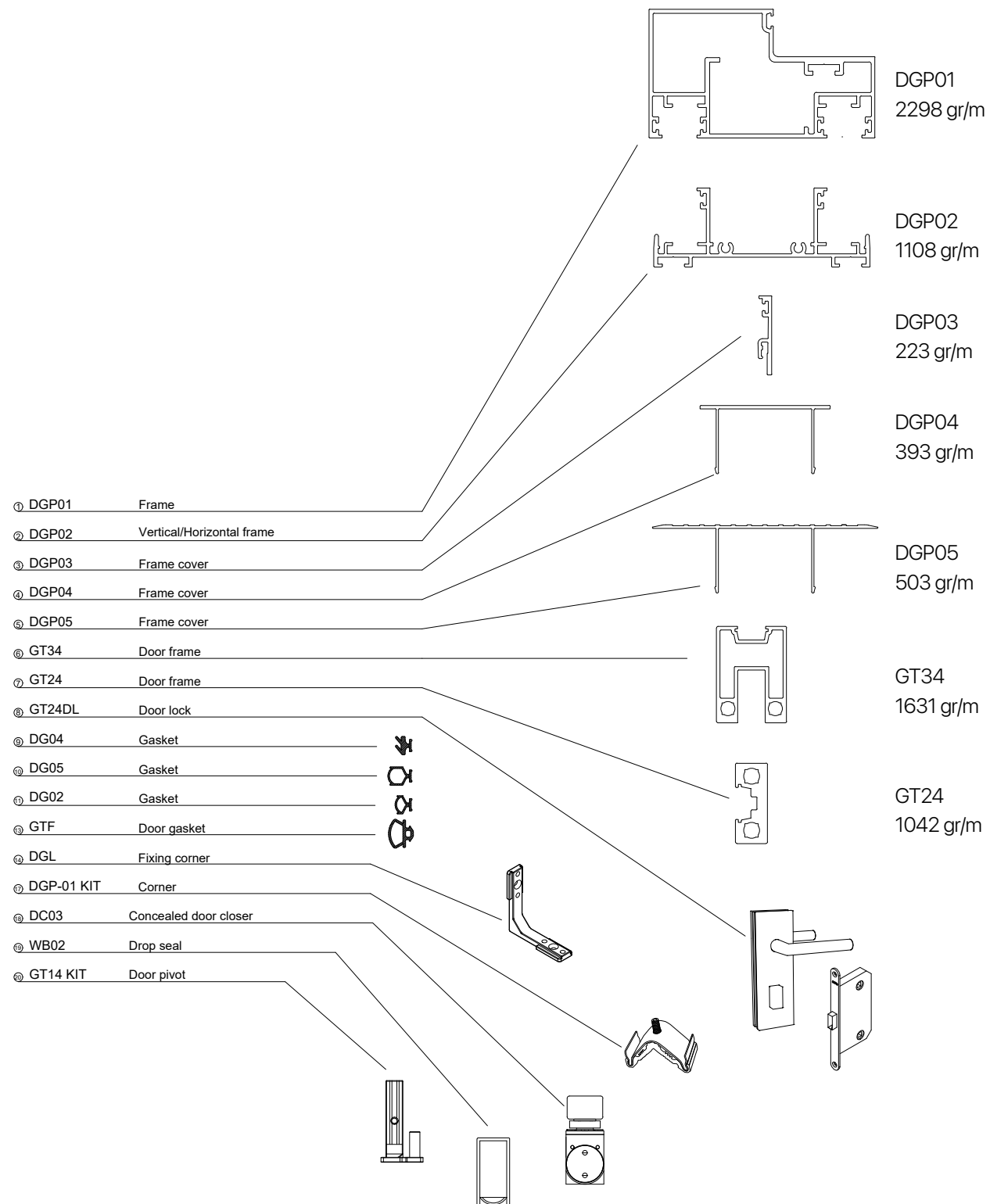
Allure



Allure



Allure

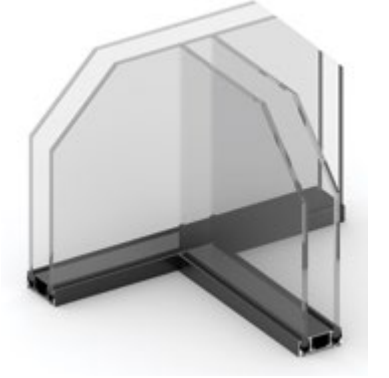
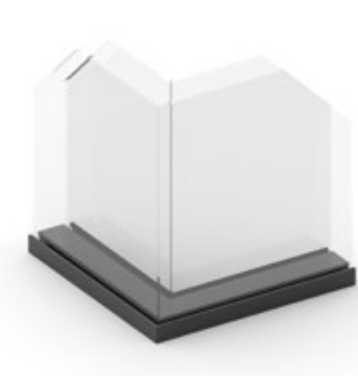


A double glazed office partition ideal for high soundproof requirements supporting glass thickness up to 13,52 mm. Transparency, elegance and minimalism are the aesthetic elements of Allure. The lack of vertical or horizontal partition profiles offers the essence of continuity.

Full frame door choice with hidden pivot function, offers the option for door closer and drop seal installation with ultimate sound insulation and avoidance of air leaks.

Soundproof up to 48 dB

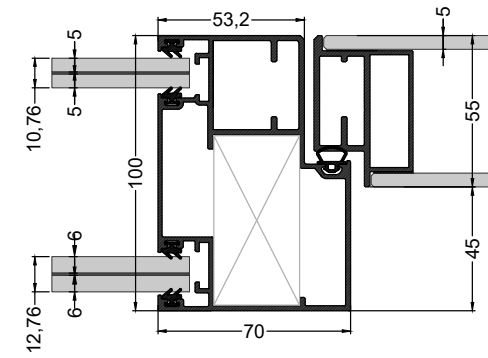
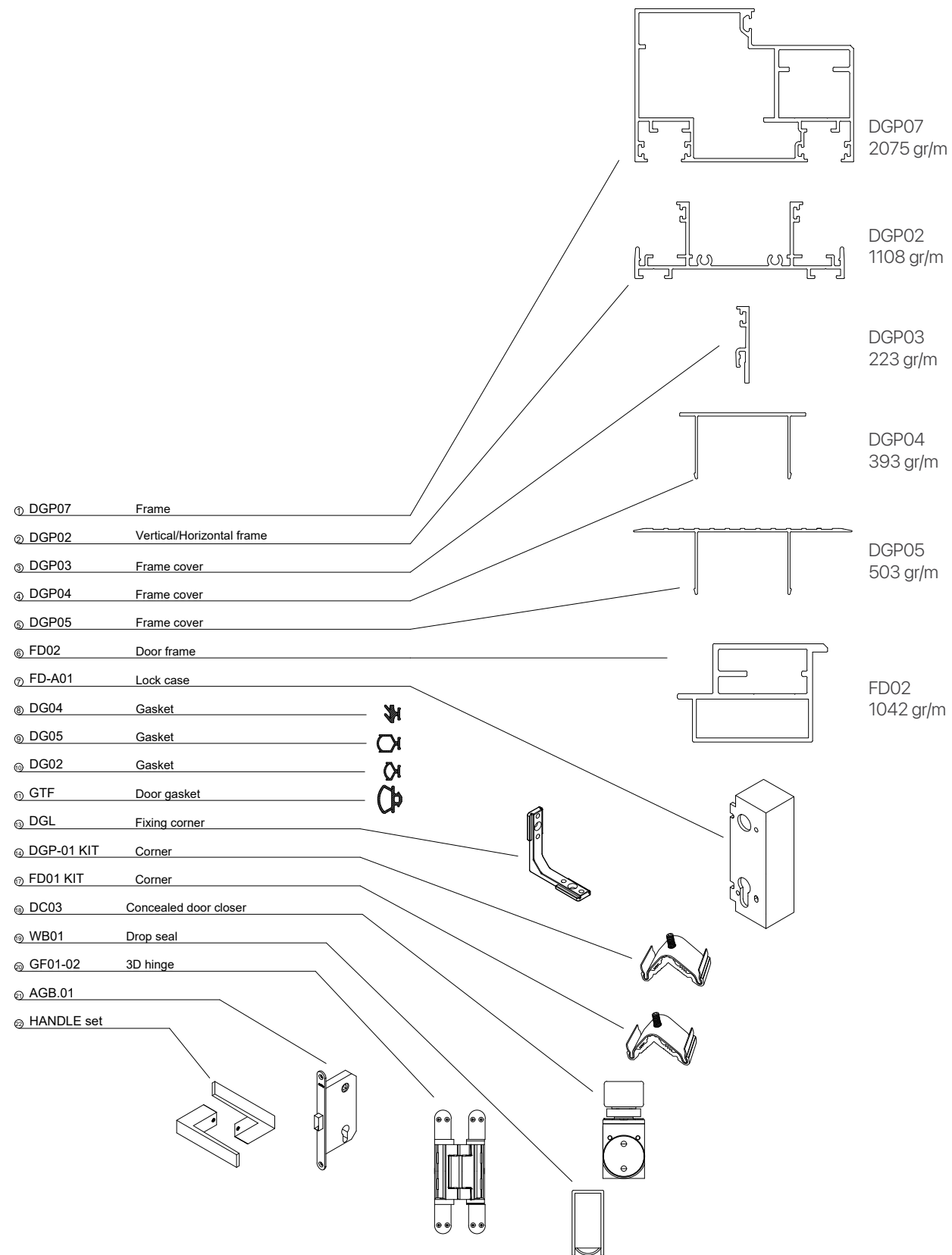
Allure



Cozy up your workplace by using wooden material instead. 3D hinged doors and MDF faced panels set your privacy as a priority.



Allure



Allure

Choose a double glazed flush door for a more intense sound insulation. Through a great variety of aluminum colors, glass, wood and ceramic materials, Kyros is able to transform your environment to a luxurious and comfort place.

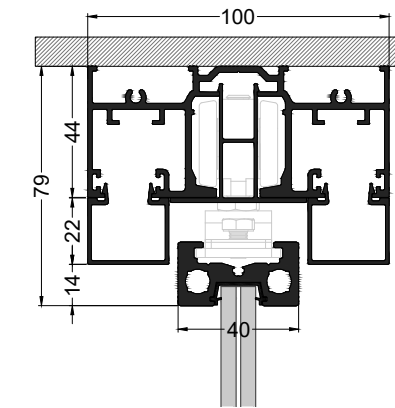
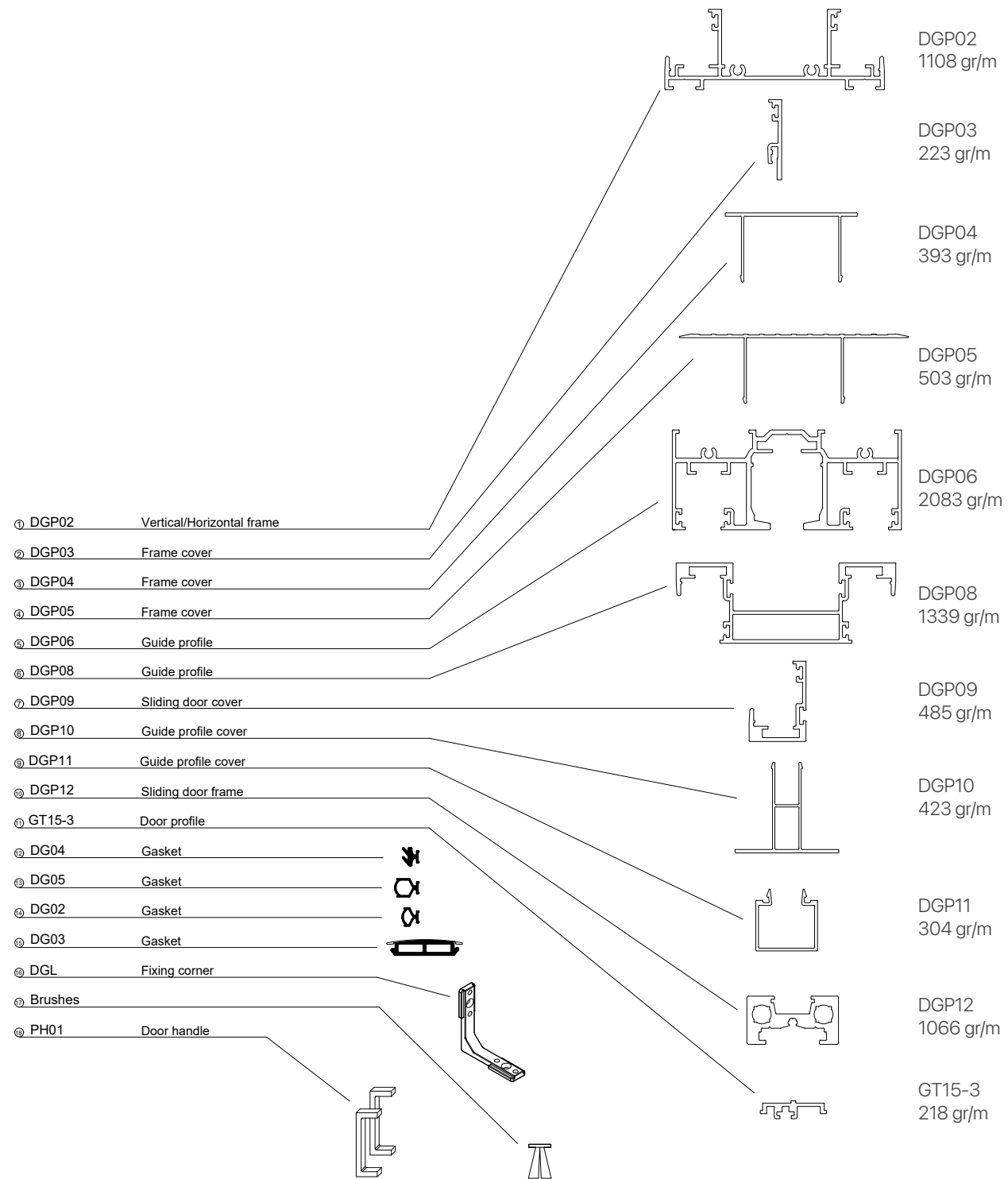
Allure offers the choice of flush door installation with a 3D hidden hinge. Door closer and drop seal function in combination with double glazing provides the utmost soundproof effect. Available in a great variety of RAL aluminium colors.



Allure



Allure



Flaunt your style and optimize compact spaces with Allure sliding partition. The sliding door parks inside the gap of the glass partition of just 100mm thickness remaining hidden and saving extra space in your room.

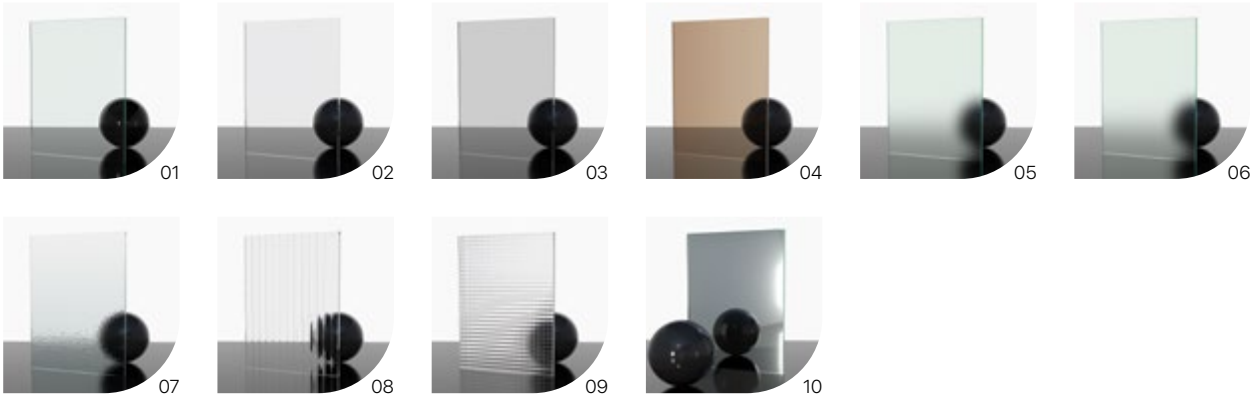
Allure

This superimposed soft close sliding door is an ideal choice for large rooms. It is the ultimate solution for Conference rooms, Hotels and Luxury residential.



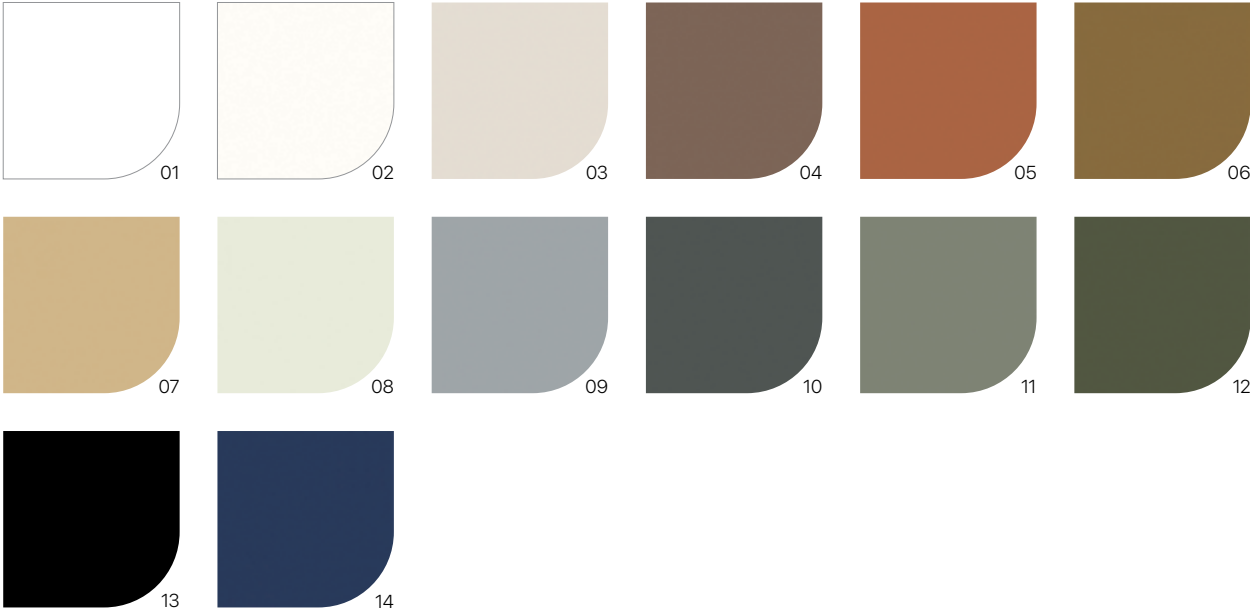
Glasses

Basic glass



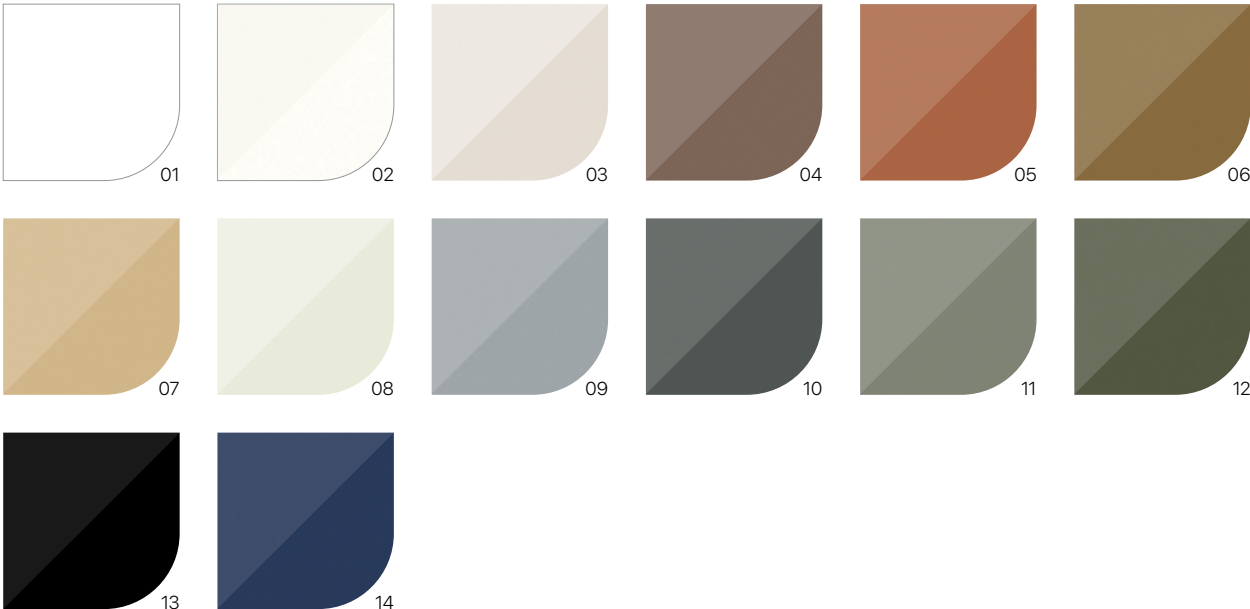
- 01. Clear
- 02. Extra clear
- 03. Grey tinted
- 04. Bronze tinted
- 05. Satin extra clear
- 06. Satin
- 07. Rice
- 08. Fluted
- 09. S-square
- 10. Mirastar

Satin back painted glasses



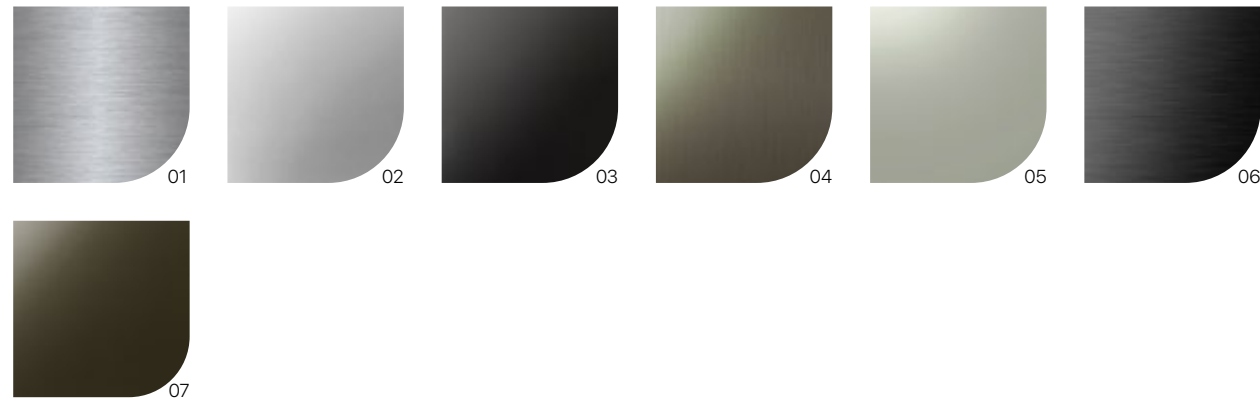
- 01. Pure White
- 02. Soft White
- 03. Cream
- 04. Marrone
- 05. Terracotta
- 06. Marrone Light
- 07. Beige
- 08. Ice white
- 09. Grey light
- 10. Grey dark
- 11. Green grey
- 12. Oliva
- 13. Black
- 14. Blue zaffiro

Glossy back painted glasses



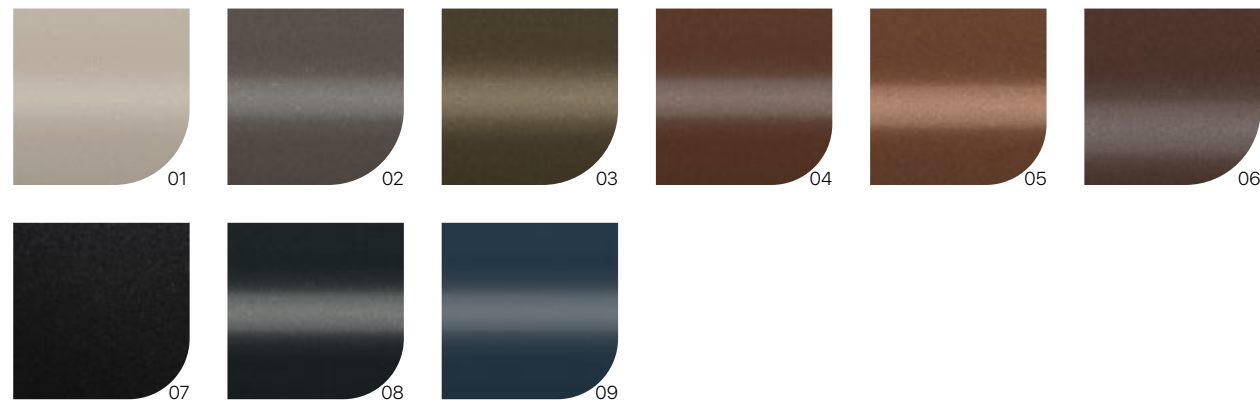
Aluminiums

Anodize colors

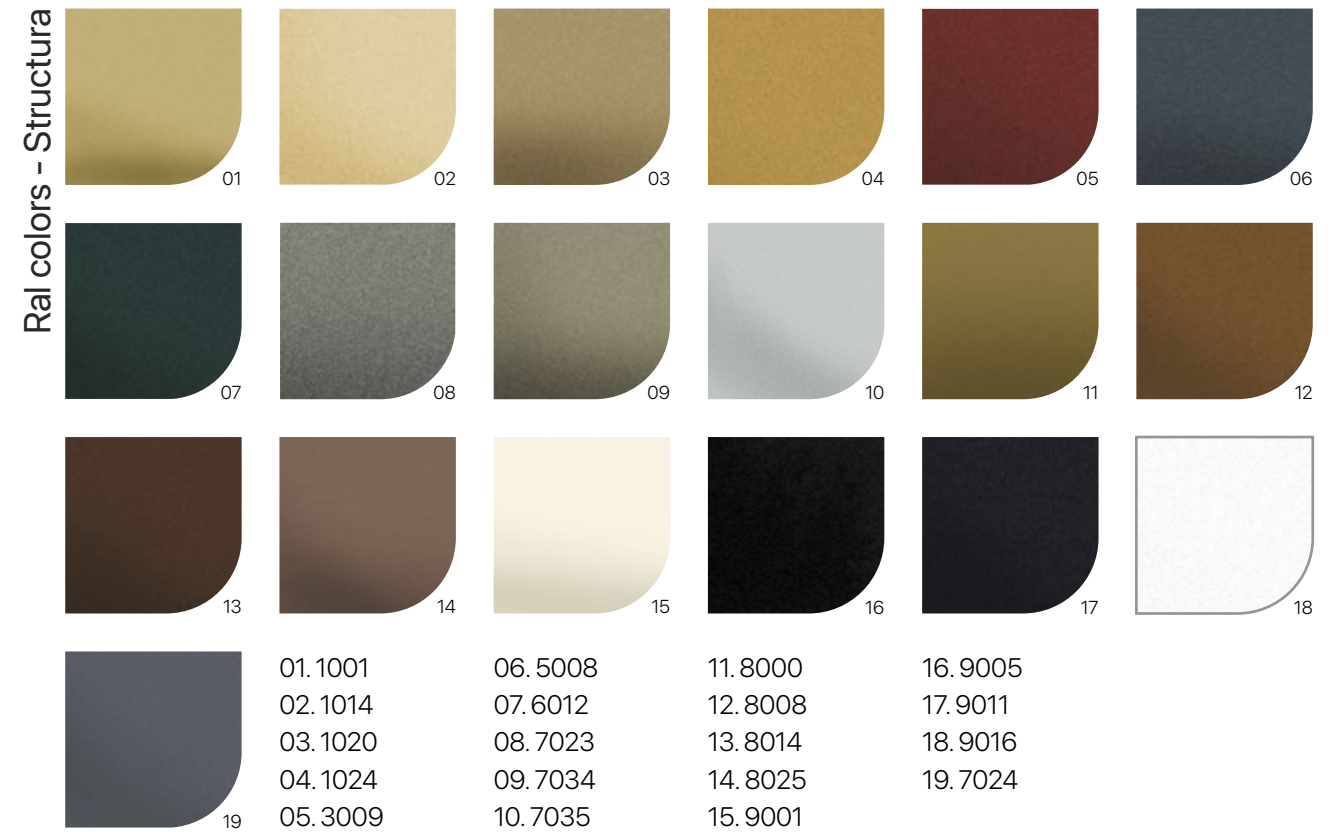
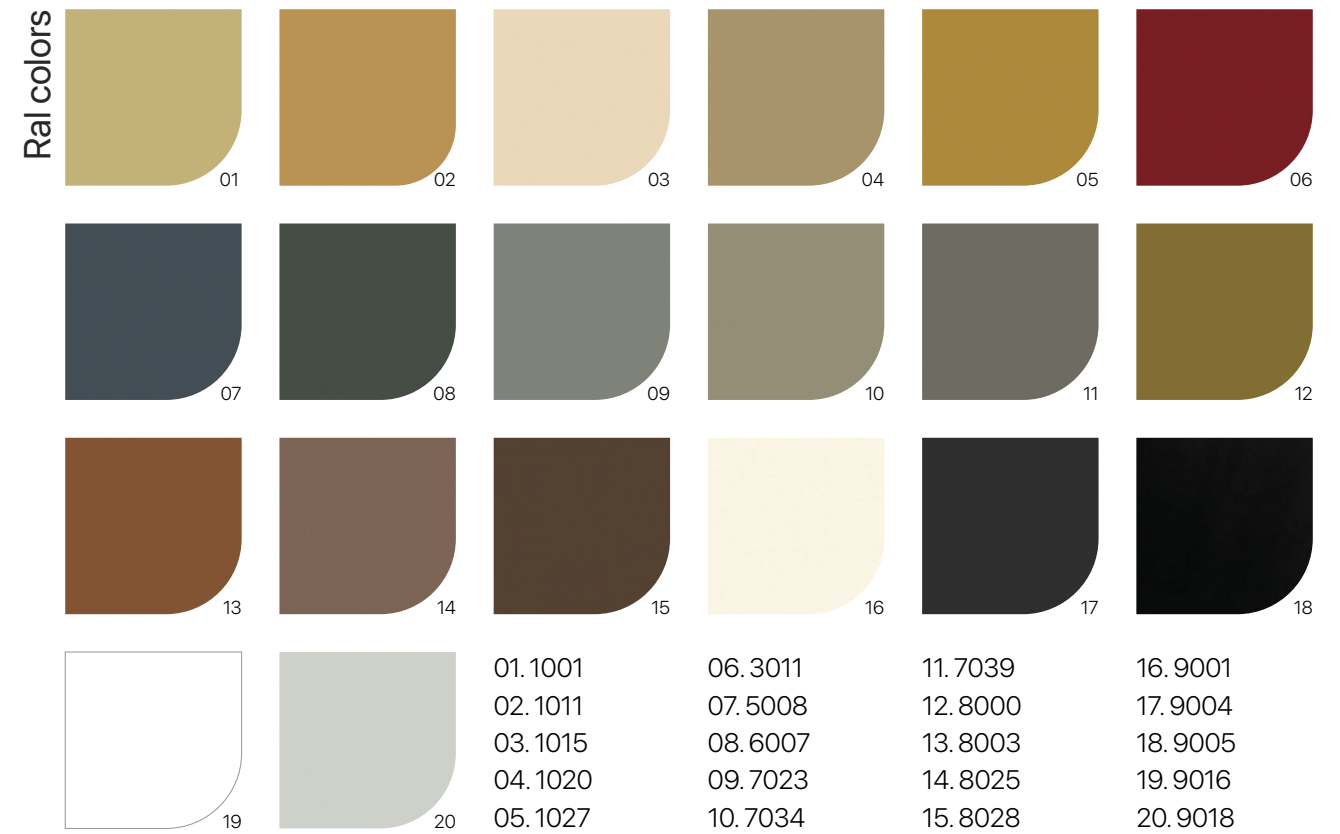


- 01. Brushed satin
- 02. Natural anodize
- 03. Black matte anodize
- 04. Bronze
- 05. Champagne anodize
- 06. Black brushed
- 07. Dark brown anodize

Special colors



- 01. Yazd
- 02. Bohol
- 03. Tijuka
- 04. Mars
- 05. Ordos
- 06. Innoko
- 07. Noir 2300
- 08. Noir 2200
- 09. Blue 2700

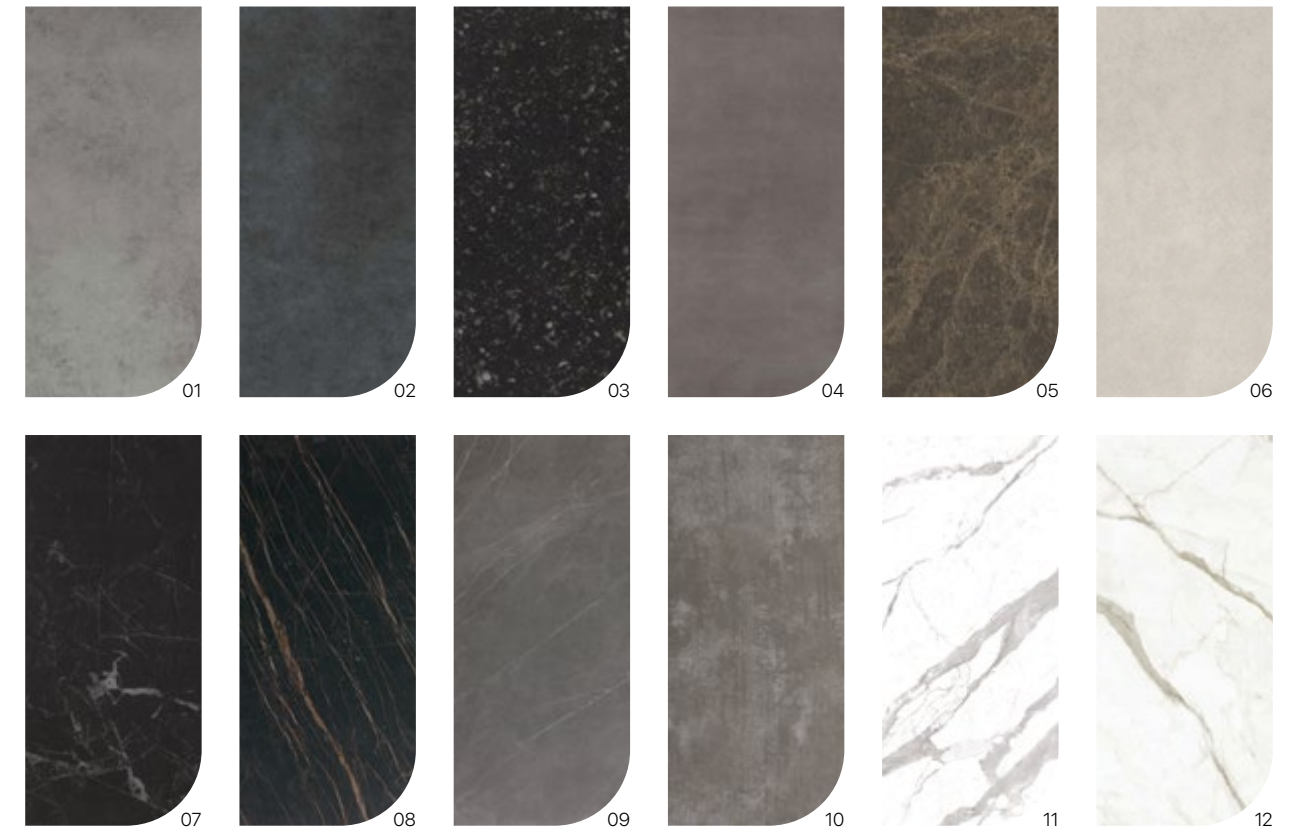


Synthetic leather



- 01. Cavallo 6540
- 02. Staff 4611
- 03. Staff 5011
- 04. Cavallo 6850
- 05. Staff 7310
- 06. Cavallo 6550
- 07. Staff 7411
- 08. Orlando 2
- 09. Orlando 3
- 10. Orlando 5
- 11. Orlando 6
- 12. Rodeo 4365
- 13. Cavallo 6140
- 14. Staff 8114
- 15. Staff 8014

Ceramics



- 01. Blend Grigio
- 02. Blend Nero
- 03. Blue Stone
- 04. Calce Anthracite
- 05. Emperador Lucidato
- 06. Fokos
- 07. Nero Greco
- 08. Noir Desir Lucidato
- 09. Pietra Grey
- 10. Kotan Grey
- 11. Bianco Statuario
- 12. Calacata Oro

Elegant design, architectural innovation, environmental compatibility are the elements composing the identity of PREMIUM by PCA.

Driven by its humanitarian approach and defined by a concrete commitment to quality research with precision and creativity,

PREMIUM by PCA is aiming to transfer through its products except from perfectionism also uniqueness to every place.

Manifold functional division choices for interior design in a manner of luxury.

Office partitions, full frame doors, flush doors, and sliding doors, are some of the provided solutions, based on efficiency and effectiveness. Feel Premium at your own environment, embracing luxury in every detail.

PREMIUM by PCA is the youngest brand member of PAP GROUP. The rich history and philosophy that has been adopted since 1975 is the inspiration source for the Group's brands.