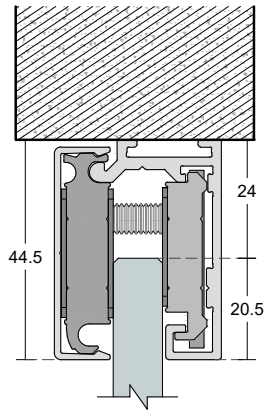
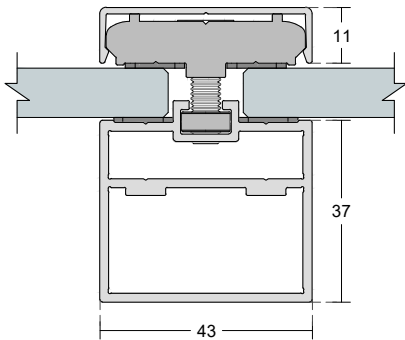




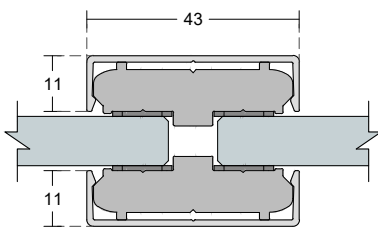
Partition Series | A10



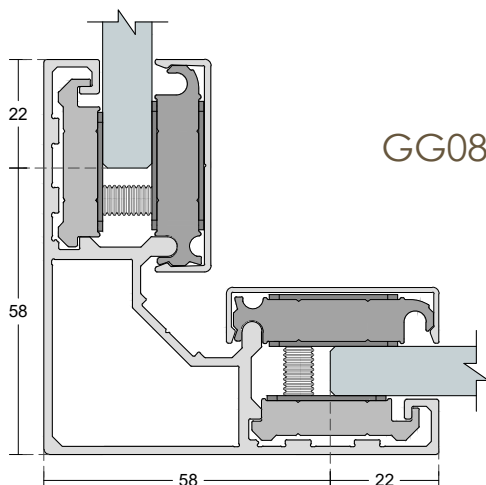
GG08



GG08-U



GG08-S



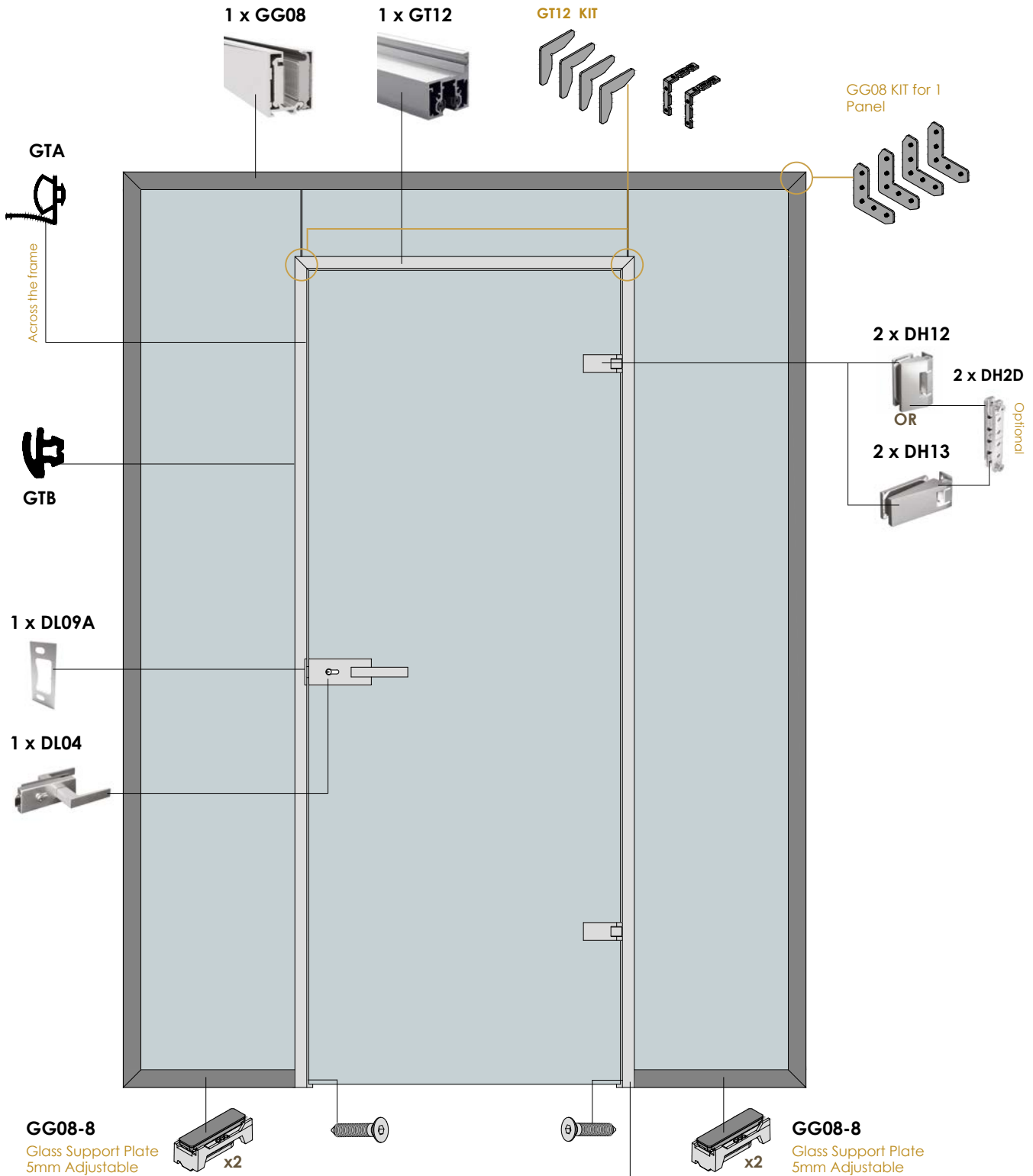
GG08-C



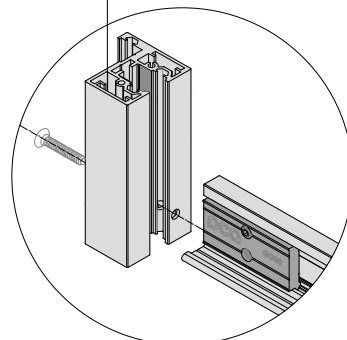
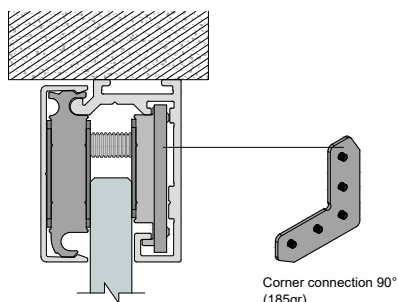
GT12 PROFILE



GT14 PROFILE

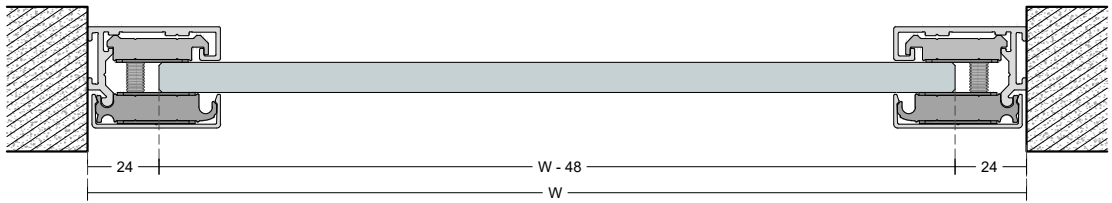


For 1 **GG08** Frame with **GT12** door required 1 **PCA-GG08 KIT**

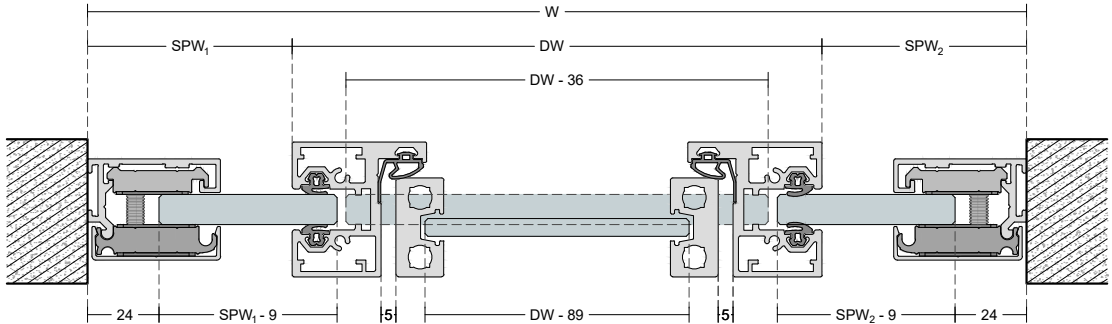


GG08 Frame | GT12 Door Installation

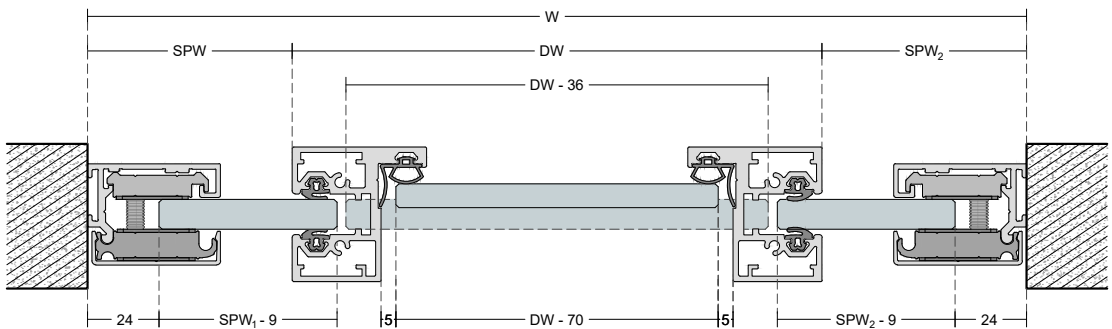
GG08



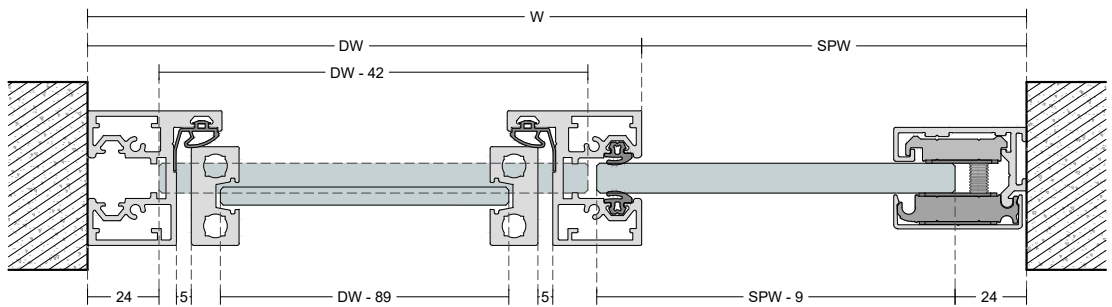
GG08 and GT12 with GT14



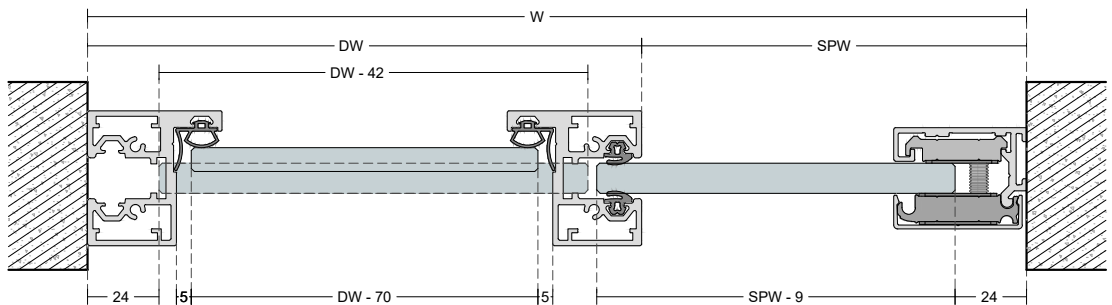
GG08 and GT12



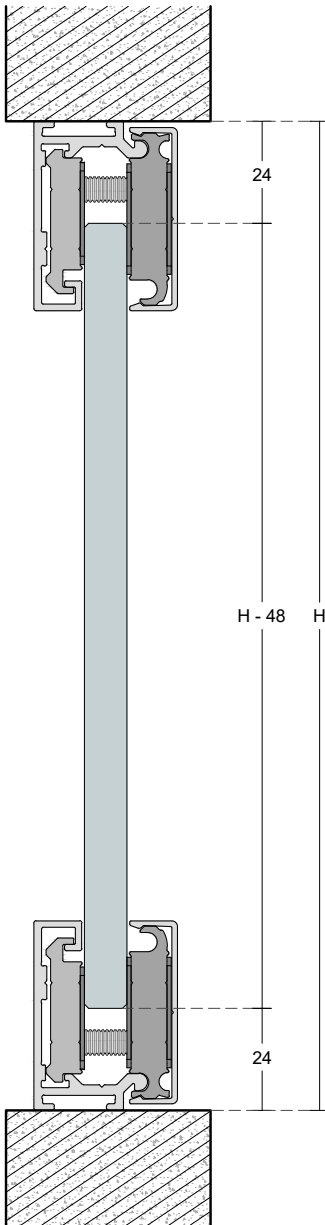
GG08 and GT12 with GT14



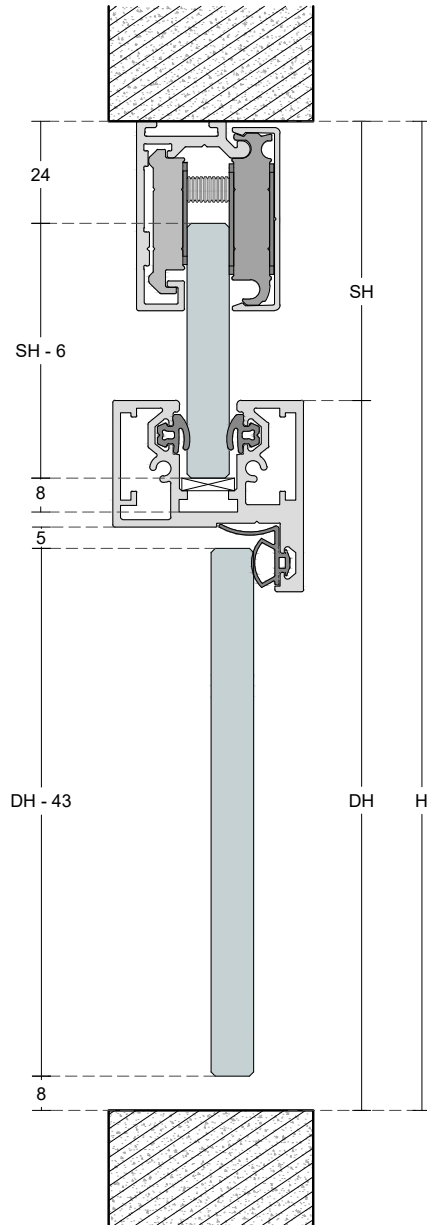
GG08 and GT12



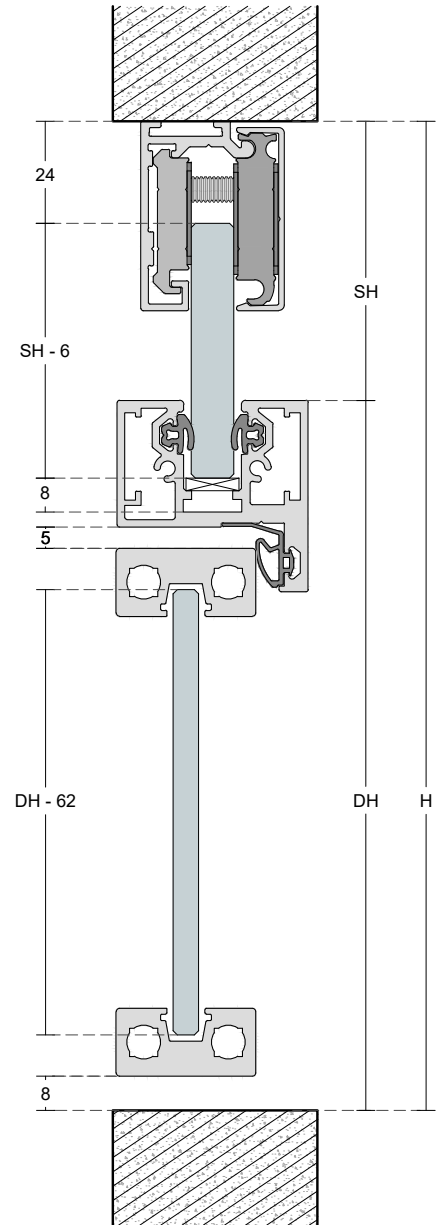
GG08



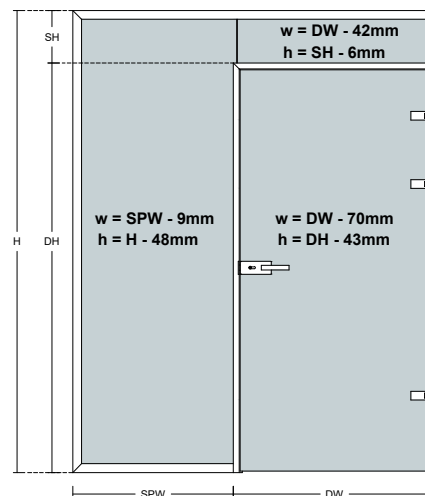
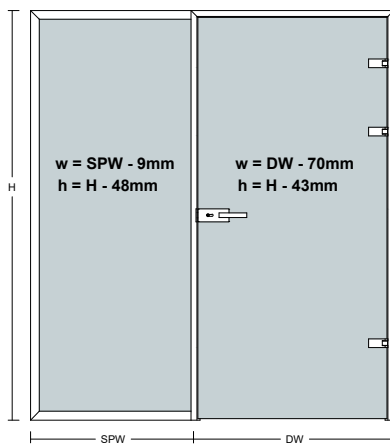
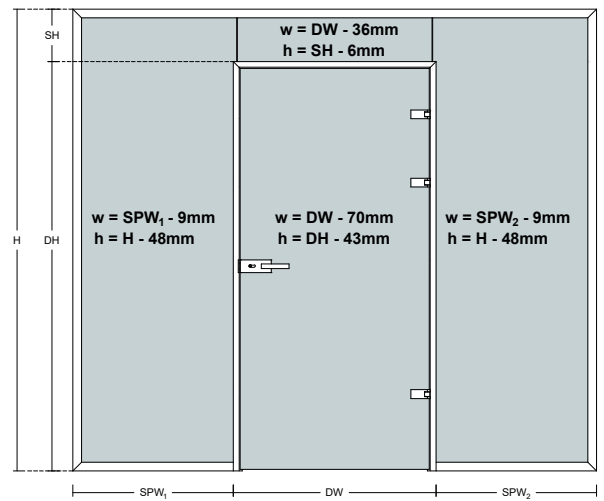
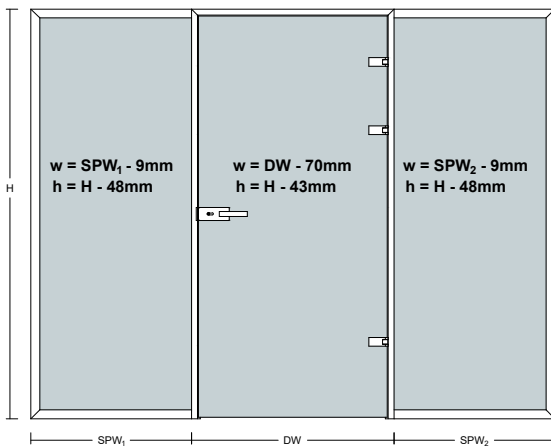
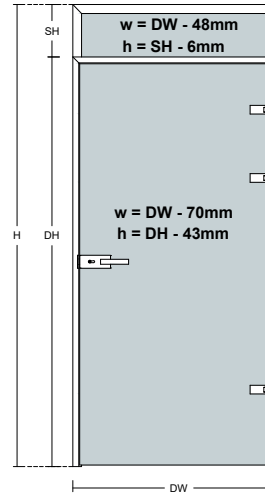
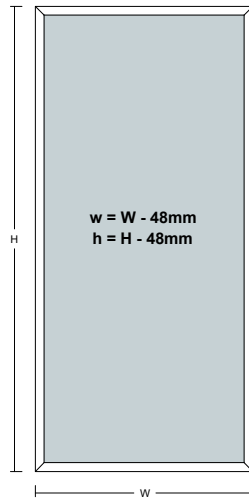
GG08 and GT12

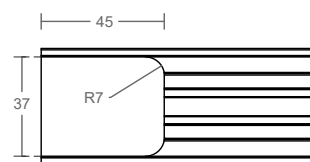
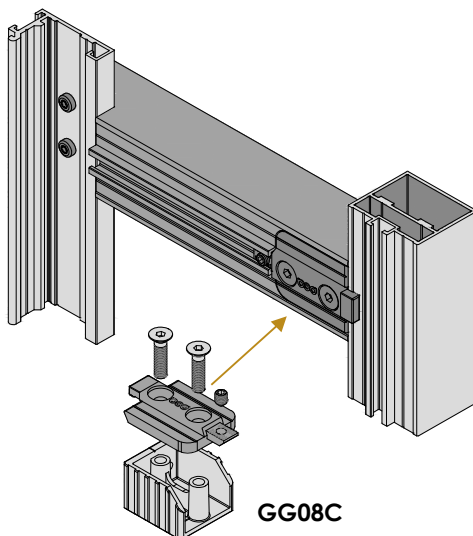
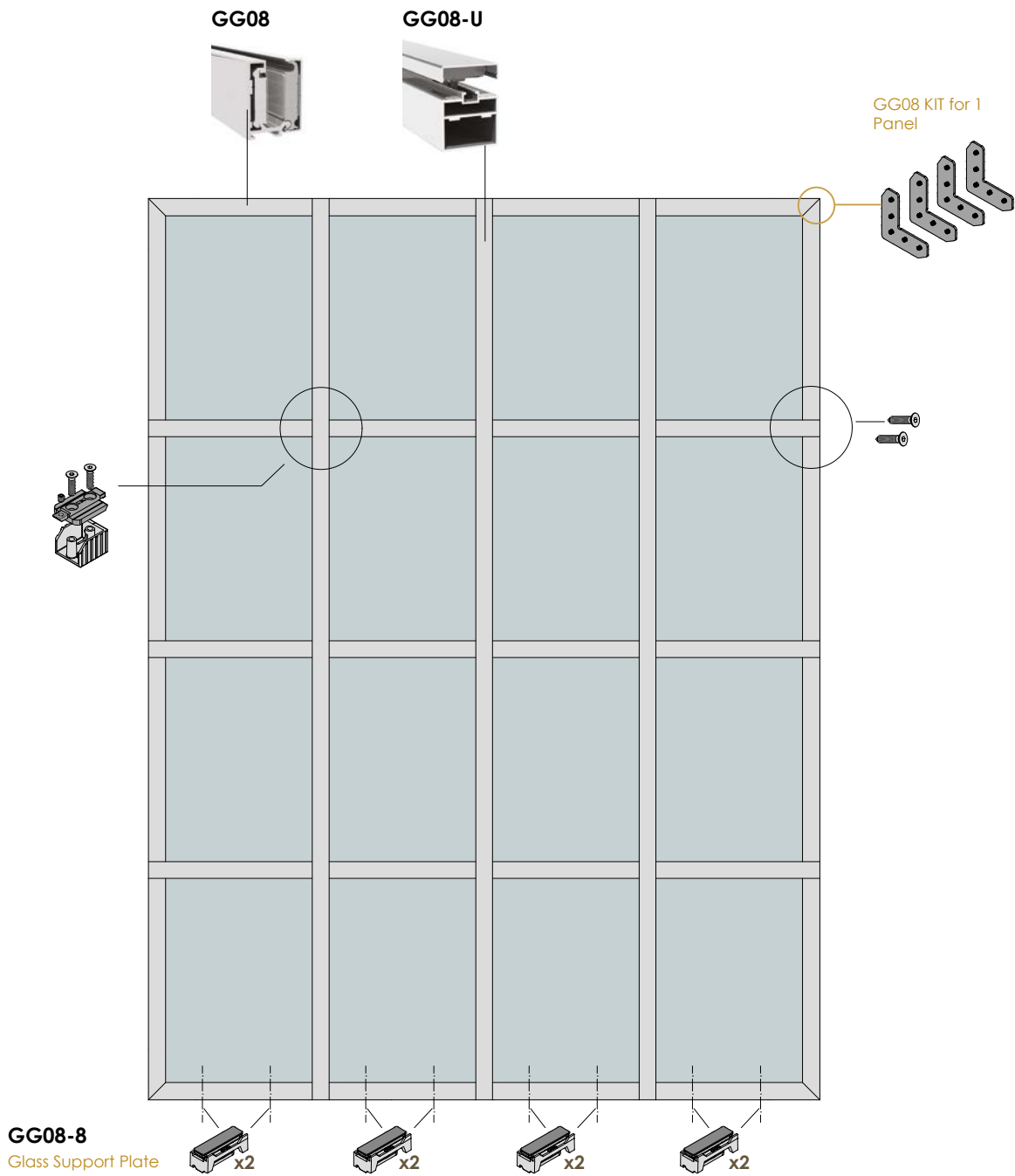


GG08 and GT12 with GT14



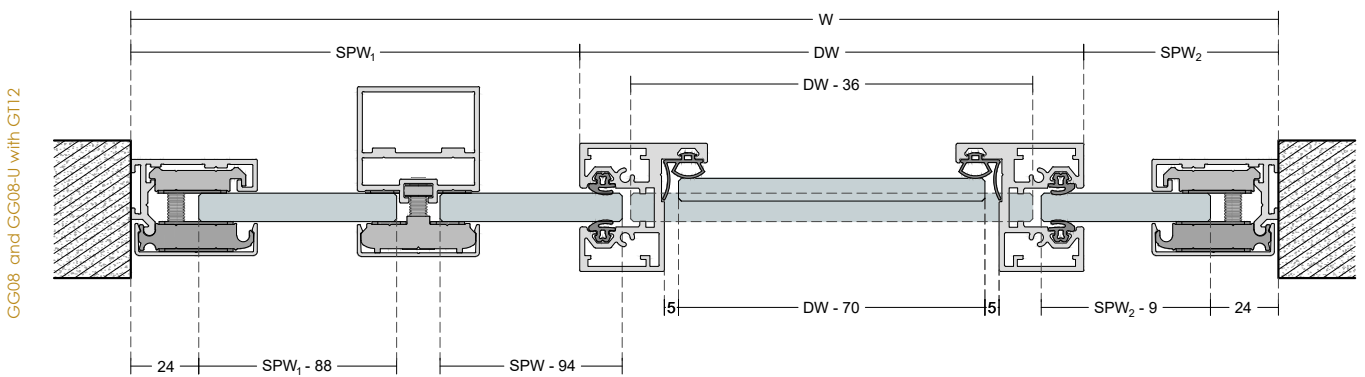
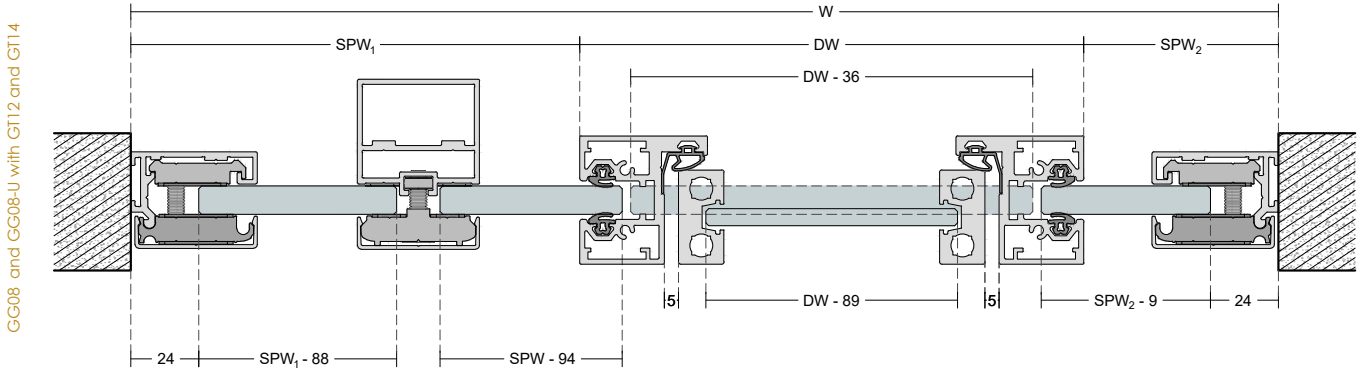
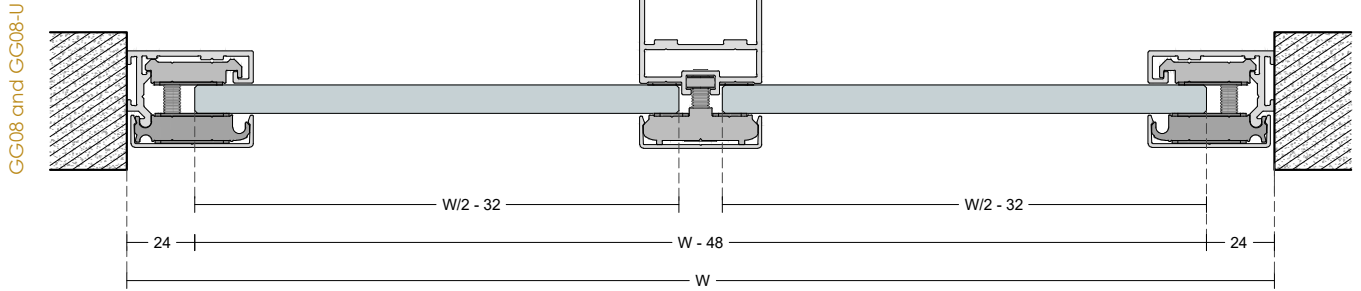
GG08 Frame | GT12 Door Installations





GG08-U Cut Processing for GG08C Installation

GG08 | GG08-U Frame | GT12 Door Installation

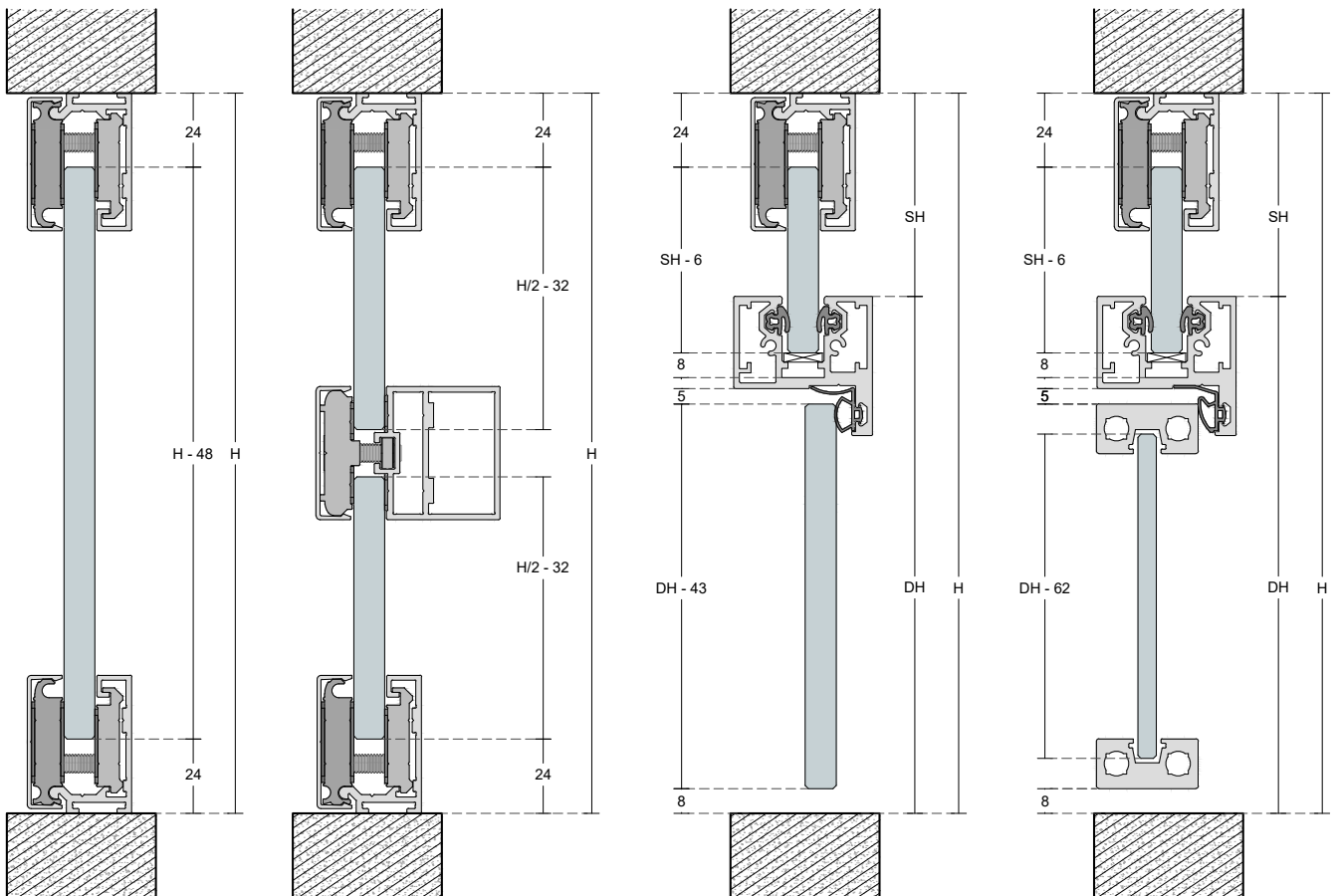


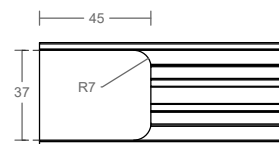
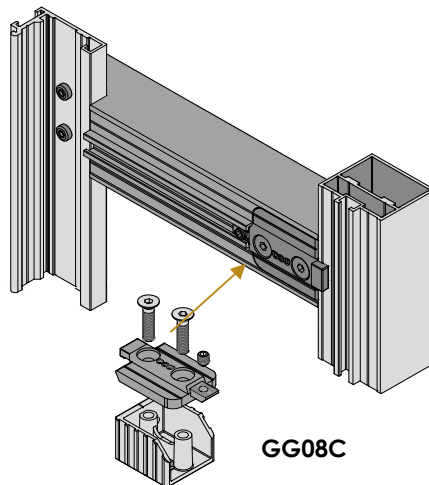
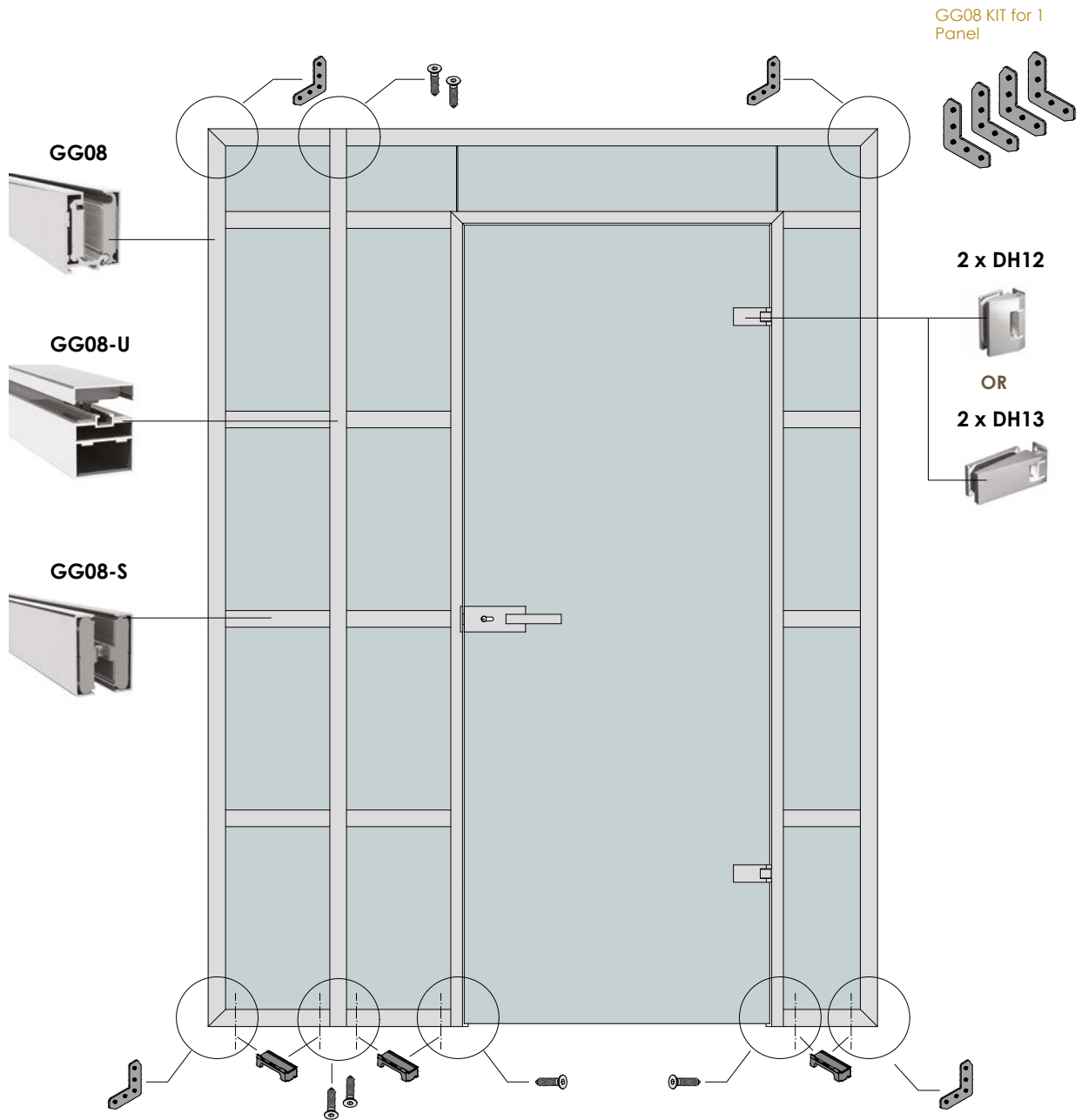
GG08

GG08 and GG08-U

GG08 and GT12

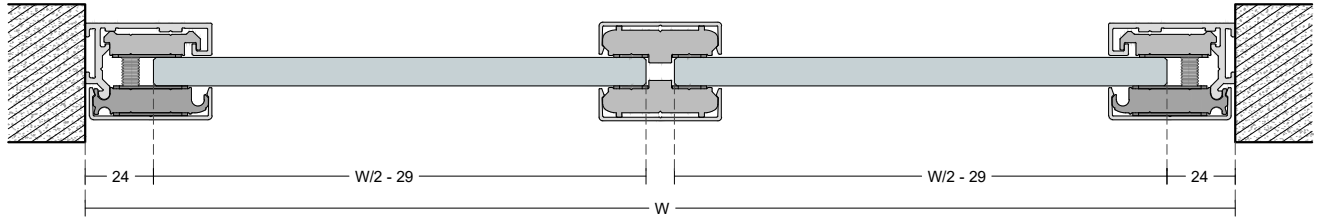
GG08 and GT12 with GT14



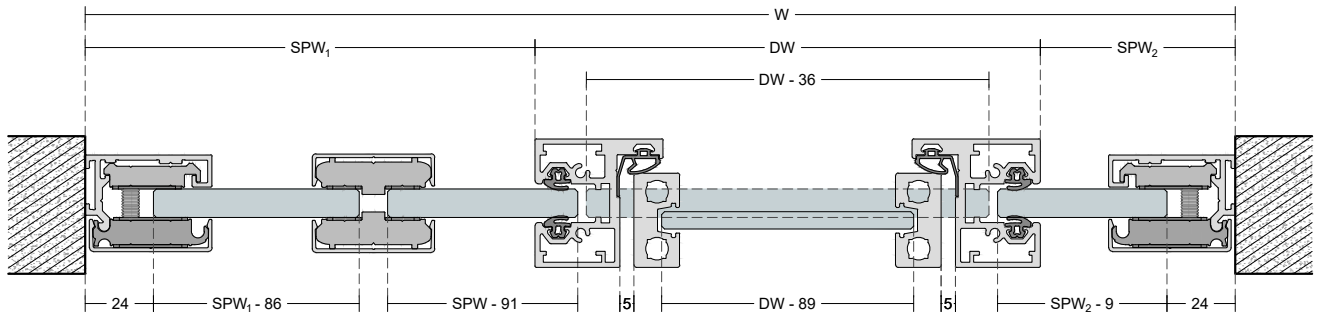


GG08 | GG08-U Frame | GT12 Door Installation

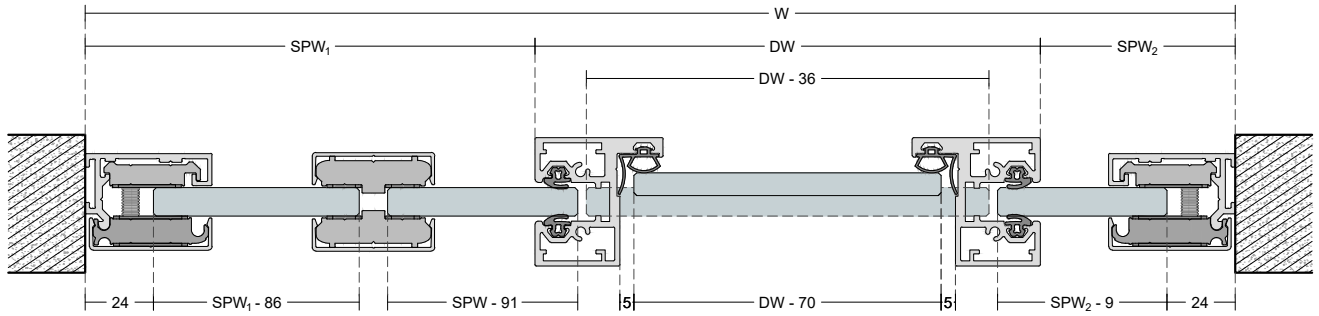
GG08 and GG08-S



GG08 and GG08-S and GT12 with GT14

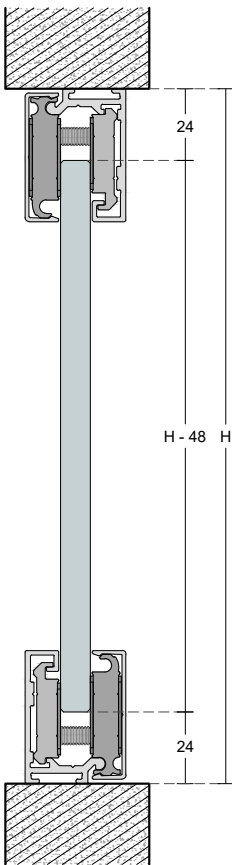


GG08 and GG08-S with GT12

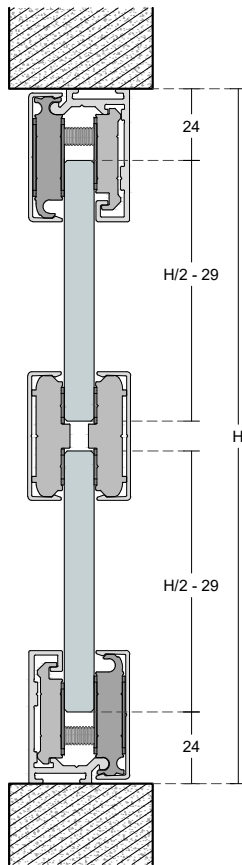


GG08 Frame | GT12 Door Installation

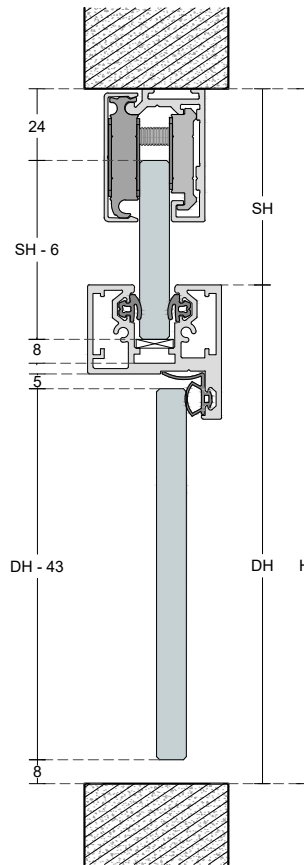
GG08



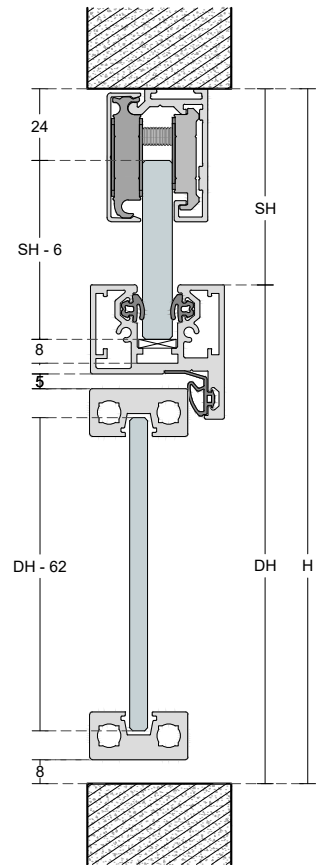
GG08 and GG08-S

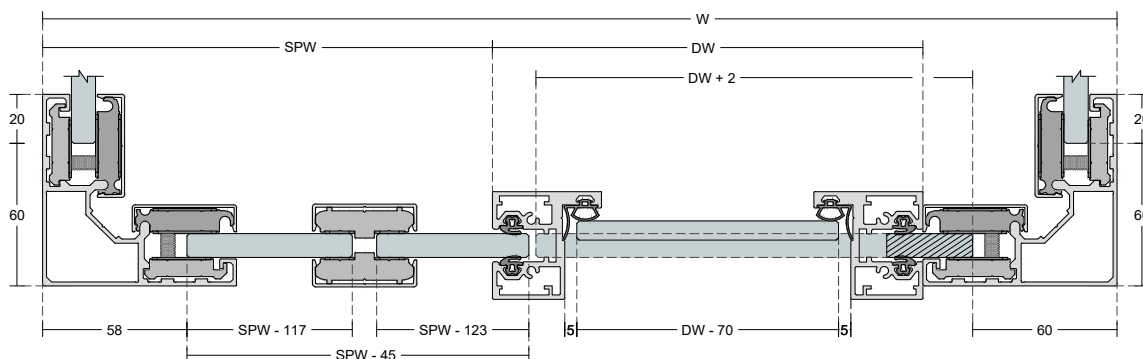
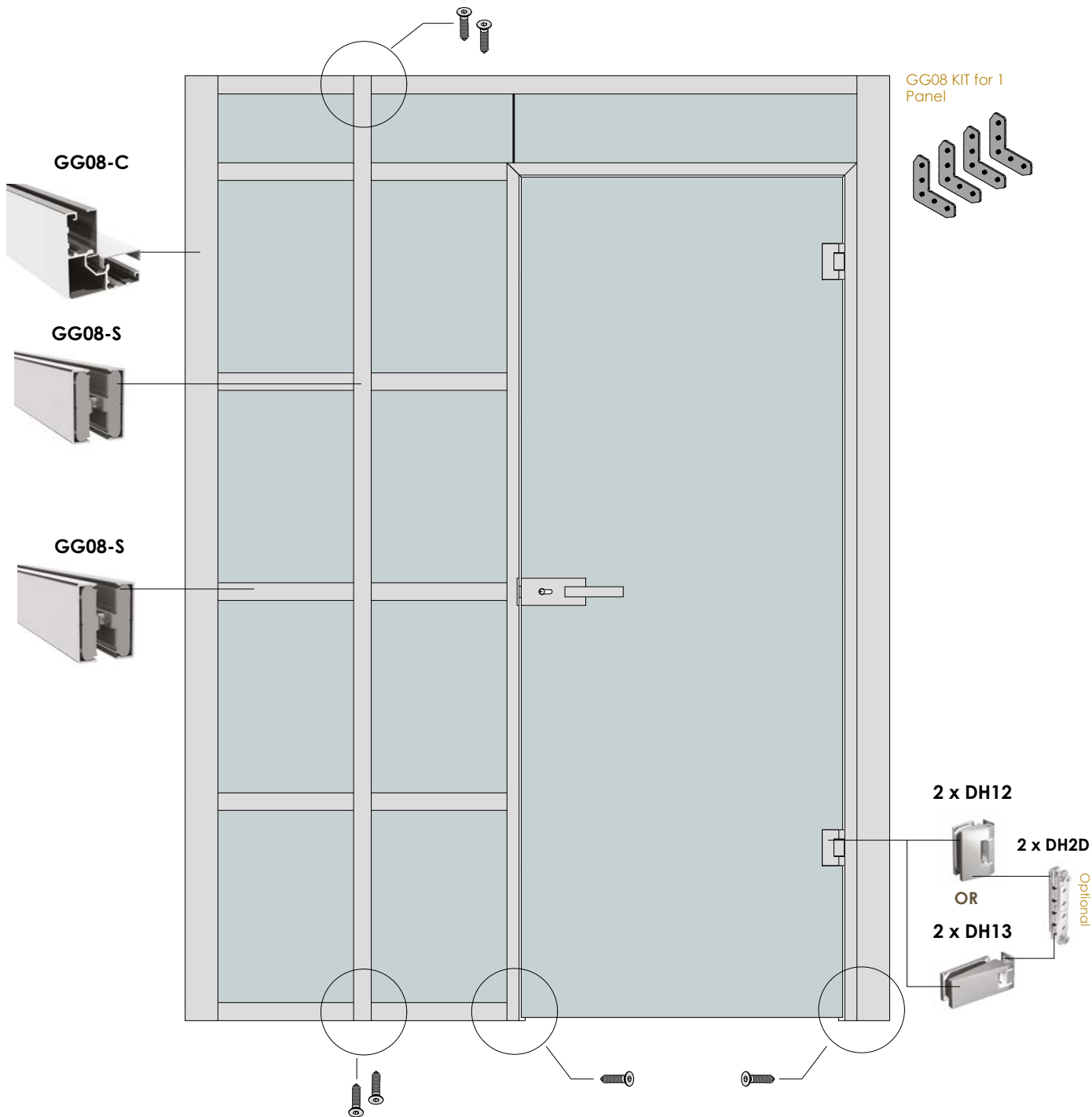


GG08 and GT12

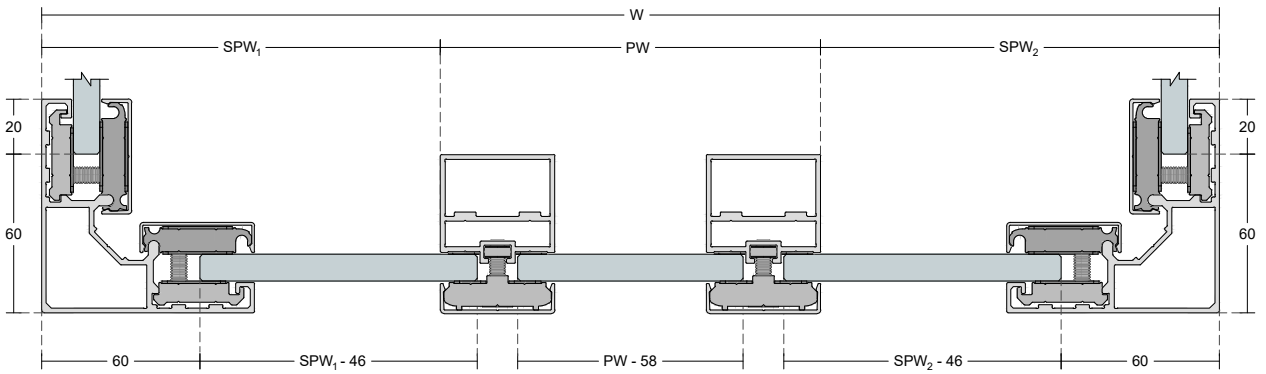


GG08 and GT12 with GT14

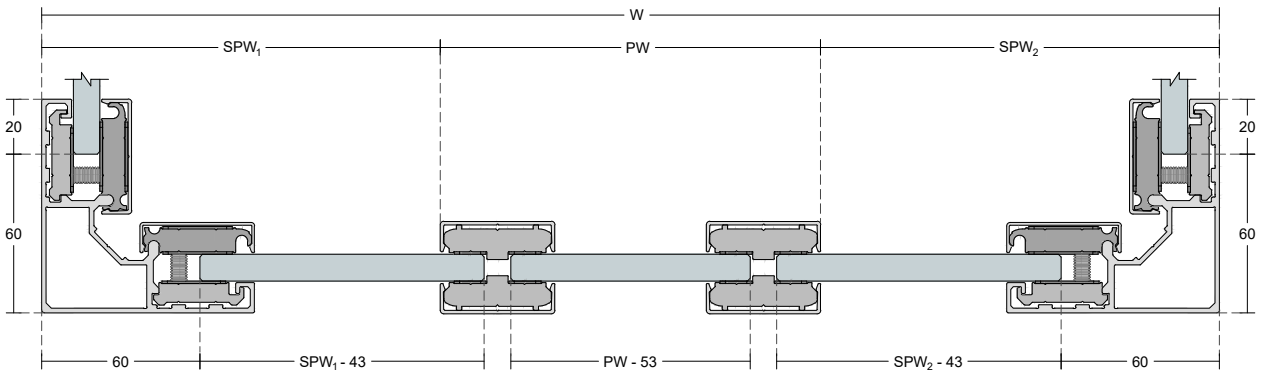




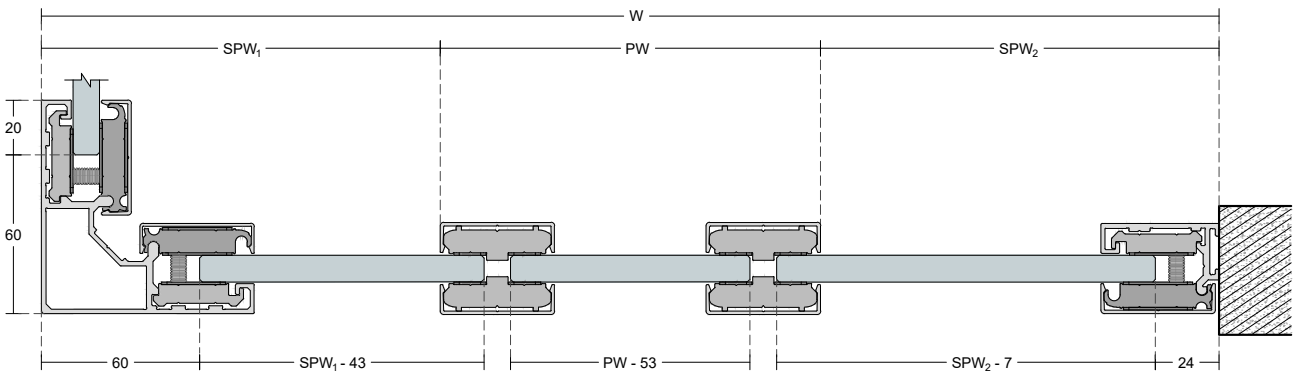
GG08-C and GG08-U



GG08-C and GG08-S



GG08 and GG08-C with GG08-S



GG08 and GG08-C with GT12 Door and GG08-S

