



PROJECTS & PRODUCTS



ALEXCO
ALUMINUM EXPERTS COMPANY

www.alexco.com.lb

About Alexco

For 45 years, Alexco's main scope of business was & still in the aluminum and glass field. Handling all structural aluminum, steel and glass buildings, from villas, buildings to high rise towers by supplying and manufacturing all aluminum and glass related facades in addition to installing the essential steel structures.

Alexco's growth has upscaled its capabilities to tangle and handle large projects from wide spread compounds and complexes to skyscrapers, efficiently and in a timely manner.

The firm has explored new horizons in the industry and consequently established new solid grounds in terms of supply, storage, design, development, manufacturing, installation, and maintenance. All in compliance with international standards and backed up by professional and highly trained staff.

Today, Alexco is considered one of top leading firms in its field, and ranks higher than other competing firms in this very domain.

Our Projects

Growth, accumulated expertise and advanced breakthrough products, all combined to thrust us upwards in handling upscale and complex projects as well as meeting the demands of near-impossible architectural designs of high risers, towers, multiplex structures (commercial & industrial) and unprecedented designer-class residences.

Products



Table of contents

Section / Item	Page
About Us	01
Factory / ISO	02
Projects: Buildings	04
Projects Villas	09
Skyclimber	11
Vistawall	13
Aluminco	15
Folding System	16
Sliding System	17
Slim System	19
Retro System	21
XPAND	22
Hinged System	23
Curtain Wall	25
Shutters	27
Doors	28
Pergolas	29
Railings	31
Aluminum Furniture	36
Gates & Fences	37
PCA	39
Sosoares	43
Alucoil	45
Flexidoor	47
Ganga	49
Machinery	50
Showroom	BK

Current Expansion of Alexco Offices & Factory

A Giant leap is taken to encounter all demands, & a step forward towards a challenging future, we continuously promise & fulfill your expectations at Alexco.



Our Dedication to Quality, Fine Management & Achievements, are well Certified.

During the last year and year before, all proper preparations and structural changes in management, production and workflow in addition to venue expansions and modifications were in a continuous process to receive the ISO Certifications. Earlier this year, Alexco received the following ISO certifications:

- **ISO 9001:2015 - Certificate No: 89949**
(Quality Management Systems)
- **ISO 14001:2015 - Certificate No: 89950**
(Environmental Management Systems)
- **ISO 45001:2018 - Certificate No: 89948**
(Occupational Health and Safety)

Alexco is authorized by Aluminco SA - Inofita Viotia, Greece, approved for CE Marking according to EN15088 Certificate to manufacture according to European Norms. This authorization entitles Alexco to manufacture and assemble according to Aluminco system instructions and technical files as well as maintain production control system (FPC) and provide evidence of CE marked products that conform to declared performance.





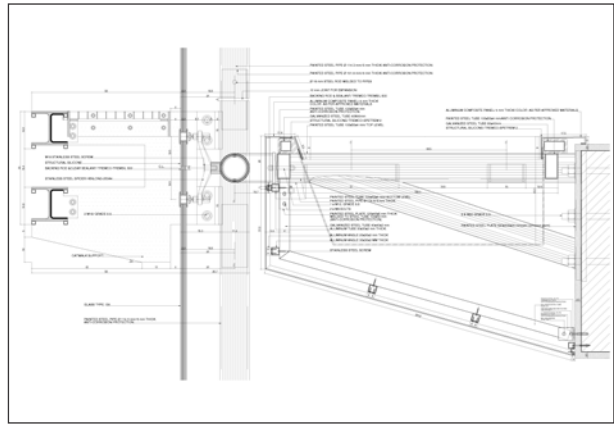
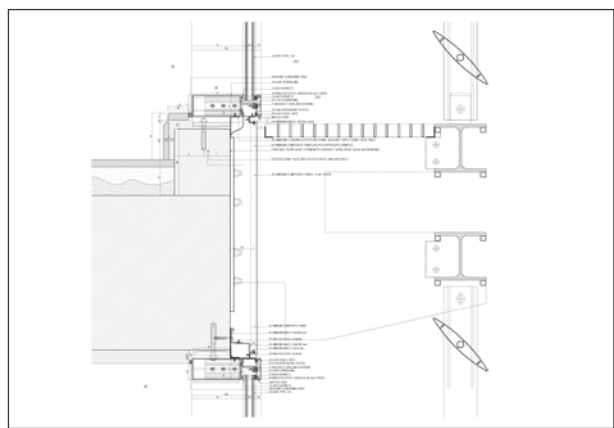
Projects

TOWERS
BUILDINGS
UNIVERSITIES
HOSPITALS BANKS
COMPLEXES
VILLAS

Lebanese University - North Campus

3 faculties: Engineering, Fine Arts, Sciences

Consultant: Lacedo



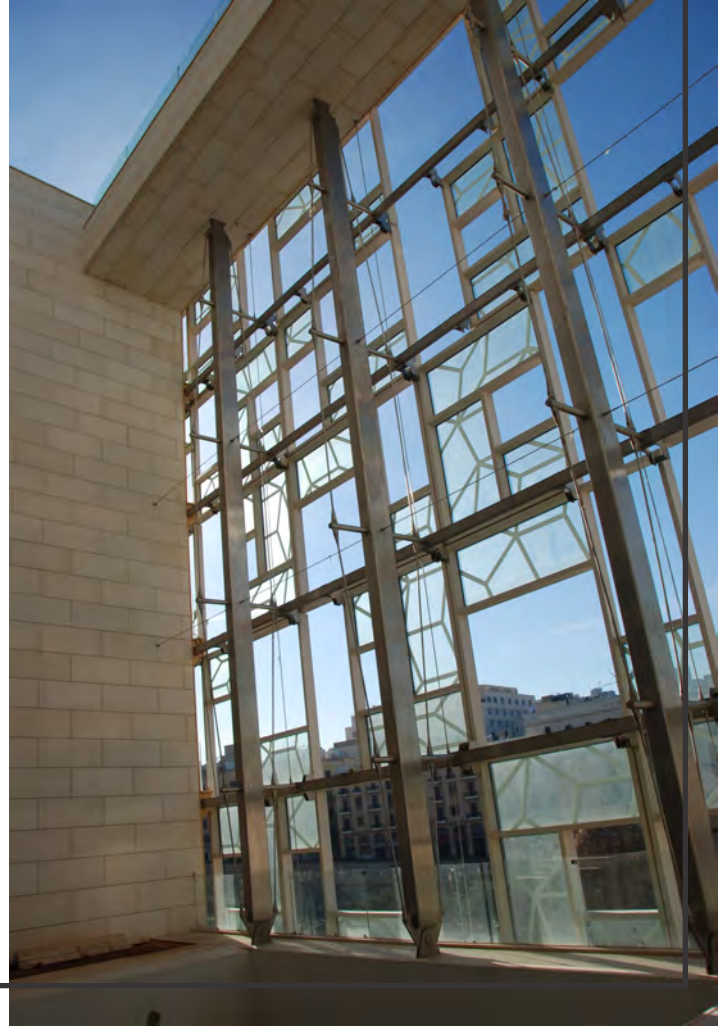
Arab Chamber of Commerce

Consultant: Pierre El Khoury Architects



Beirut Gardens

Consultant: Erga Group



Four Season Hotel

Consultant: CVTEC



Mondrian Tower

Consultant: Arch. Fouad Samara



City Gate

Consultant: Trust Consult



Beam Building

Consultant: Rachid Karam



Antelias

Architect: Richard Abi Rached



K-Tower

Architect: Samir Ghawi



Fawaz Building

Architect: Youssef Haidar



Dbaye 546

Consultant: Badih & Kantar Arch.



**WE ARE ON SOCIAL MEDIA
FIND US & FOLLOW US**



#alexcoaluminum



Factory Loft

Architect: Bernard Khoury



Badaro

Architect: Roger Dib



Strassco

Architect: Sarkiss Azadian



Harbour

Architect: Fouad Menhem



Energy Efficiency

Saving in energy costs due to efficient insulation.



Safety & Security

Enhanced system components for protection against theft, destruction, water & wind.



Comfort

More comfort with thermal insulation and sound pollution prevention.



Design

That sustains free natural light penetration.

Villas

Shabrouh Villa

Architect: Roland El Khoury



Barbara Villa

Architect: Georges Al-Chaer



Mona Chehab Villa

Architect: Walid Youssef



Sawaki Villa

Architect: Sandra Gbantous



Darazi Villa

Consultant: Arch. Shadi El Dada



Dakik Villa

Consultant: Trust Consult



Villas

Joseph Youness Villa

Architect: Hasan Dergham



Dahr El Sowan Villa

Architect: Malek Salem



Youssef Ghaith Villa

Consultant: Makram El Kadi



Mirna Tohme Villa

Architect: Georges Hajj



Fawzi Karam Villa

Consultant: Erga Group



Nassif Ragheb Villa

Consultant: Erga Group





SKY CLIMBER®

ACCESS INNOVATIONS SINCE 1955

Sky Climber LLC is the world's leading manufacturer of permanent and temporary suspended access equipment including man rated hoists, modular platforms, roof rigging, powered platforms, BMUs, anchors, davits and accessories.

Sky Climber delivers products and services across several work-at-height industries including renewable energy, telecommunications, aerospace, industrial and commercial. Sky Climber provides expertise in a wide variety of industry areas.



**SKYCLIMBER
BMU MODEL S1**
(Permanent Type with Rails)

www.skyclimber.com



Products



ALEXCO

VISTAWALL
INTERNATIONAL

ALUMINCO[®]
ALUMINIUM BUILDING SYSTEMS

PCQ



Alucoil[®]
Grupo Alibérico

Flexidoor
AUTOMATIC DOORS MANUFACTURER

Giménez Ganga[®]

SKY CLIMBER[®]
ACCESS INNOVATIONS SINCE 1955

AUTOPARCHE[®]



VISTAWALL INTERNATIONAL

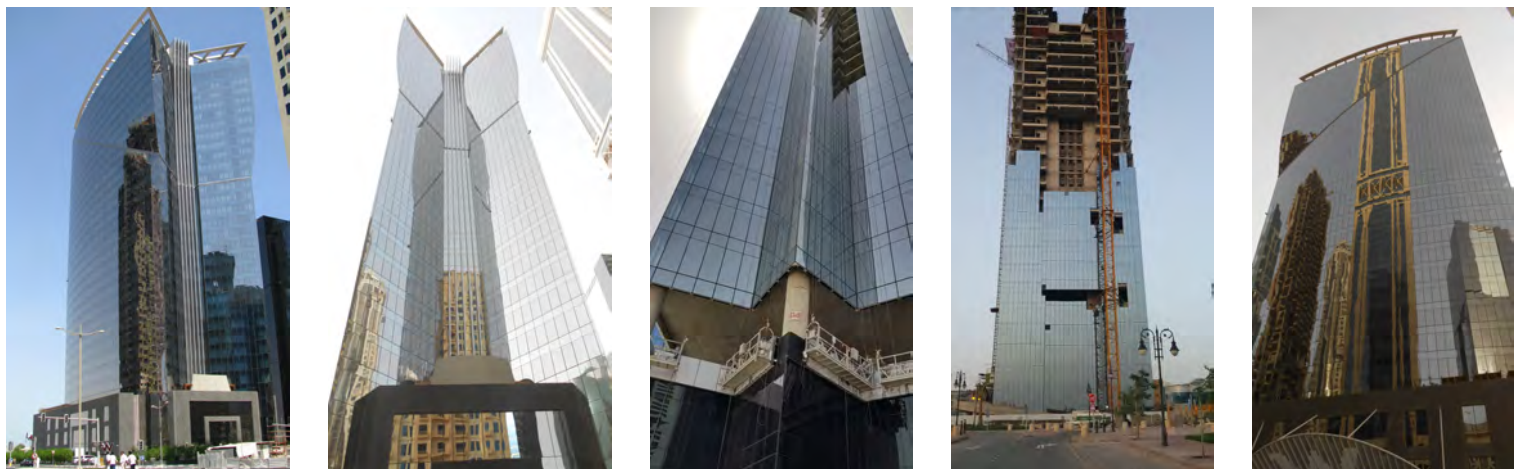
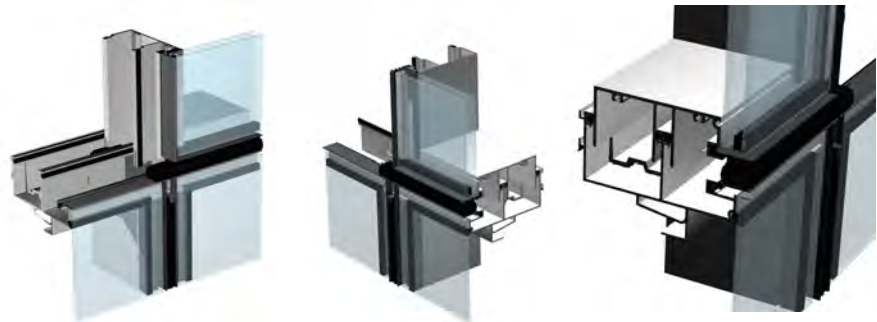
Vistawall Overview

Vistawall started business in 1962 when a company called Aluminum Fronts, a subsidiary of Texas Aluminum was founded in Terrell, Texas. Through growth and acquisitions, Vistawall has enjoyed steady growth in sales, manufacturing capacity and manpower to establish itself as an international industry leader.

Vistawall International has built a reputation on providing competitively priced, top quality innovative glazing and framing systems around the world.



VU Unitized System



ZG-2000

VISTAWALL INTERNATIONAL



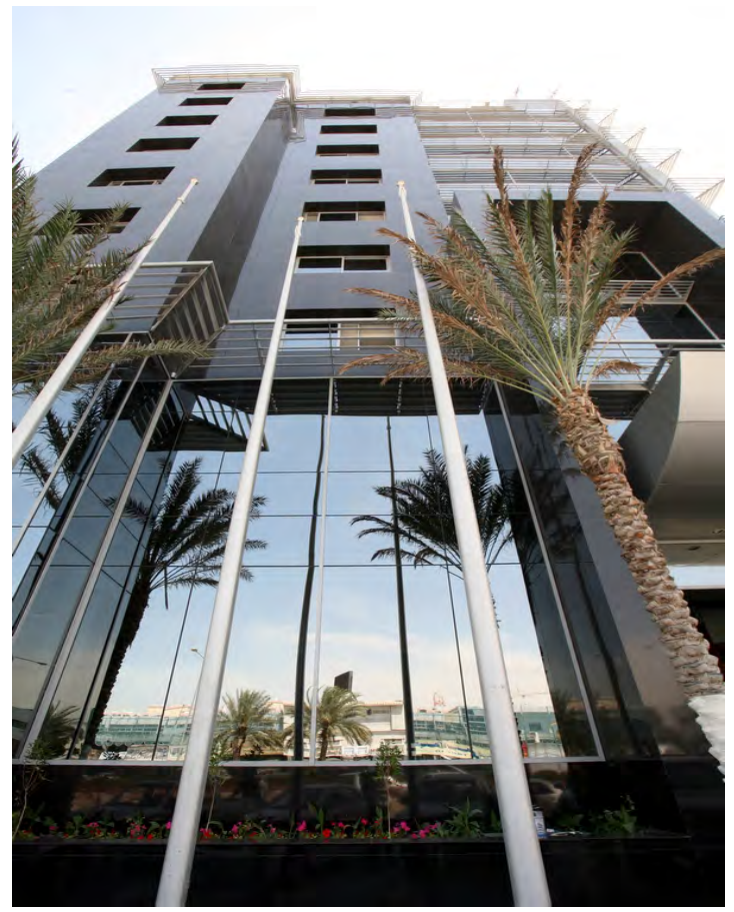
Type [A] Fully Captured



Type [C] Captured Horizontal



Type [D] Structurally Glazed



ALUMINCO®

ALUMINIUM BUILDING SYSTEMS



ALUMINCO S.A. was established in 1982, to meet the increasing demand for innovative products and bring life in the aluminum systems. After three decades of experience and dedication to a continuous upgrade of production capacity and human resources, the company has become a leading provider in the aluminum industry.

ALUMINCO is an ISO 9001 and ISO 14001 certified company, QUALICOAT SEASIDE CLASS accredited, while all our product lines are certified by International Institutions for their outstanding characteristics and performances. Located in privately owned premises of 60.000 sq. m. in the Industrial Zone of inofyta Viotias, where production facilities, logistics and Administration offices make up ALUMINCO headquarters.



Aluminco Global Presence

FD4600

Folding Thermal Insulation Door System



SL2900 - ECO Slide

Sliding Thermal Insulation System for Acoustic Performance



SL2700

Minimal Lift-and-Slide High-End System



SL2450

Sliding Lift & Slide - Thermal Insulation System with minimal 3cm face width



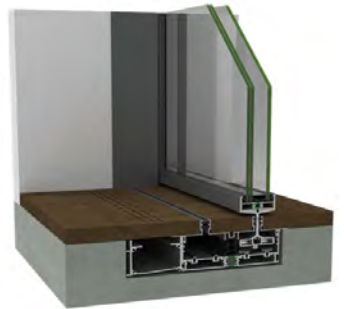
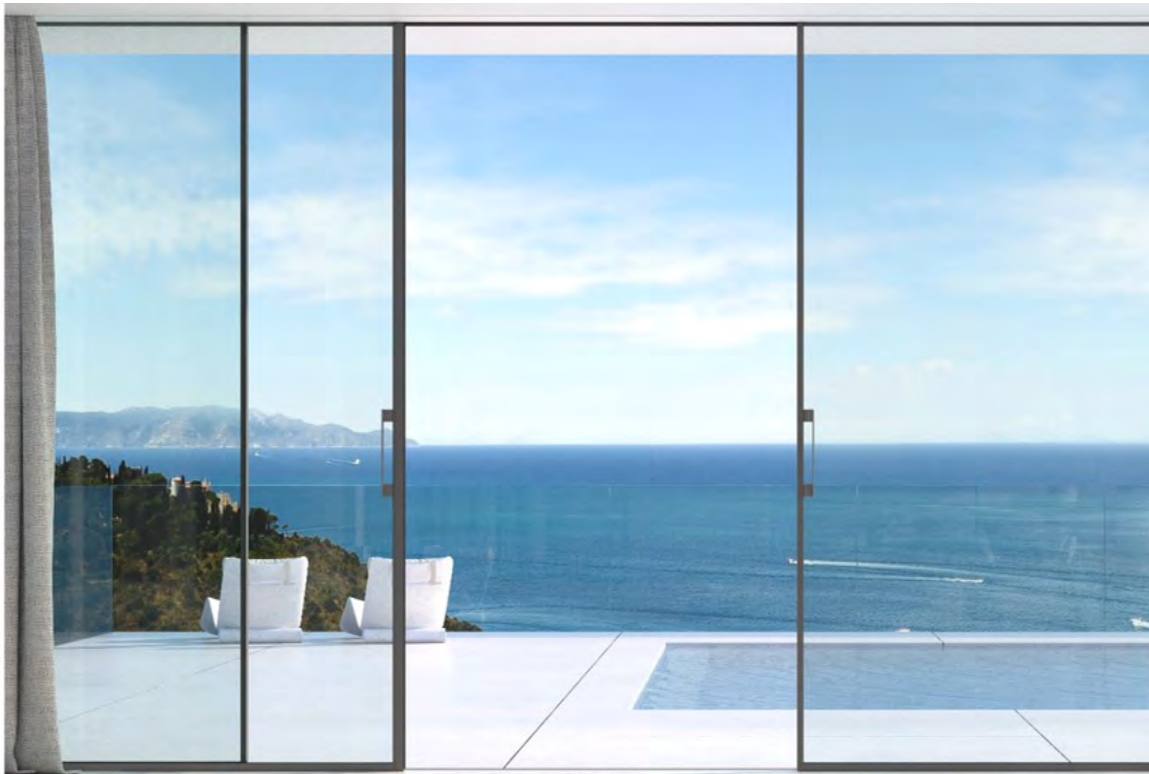
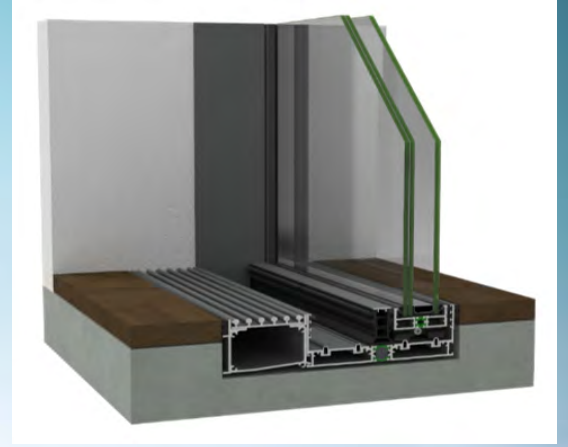
SL320

Sliding - Lift & Slide System for reliable performance on large openings



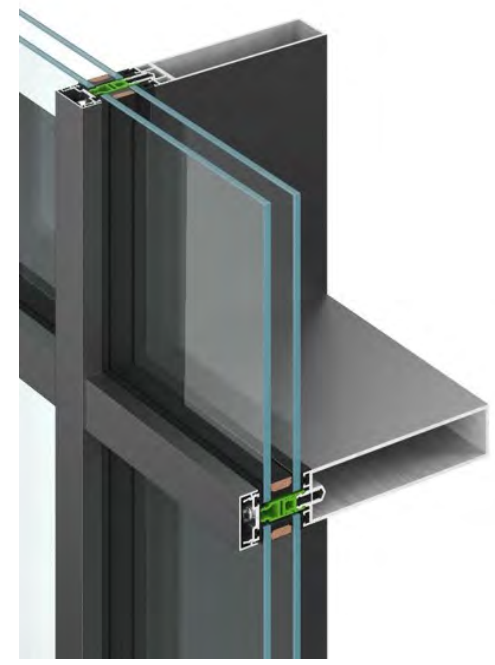
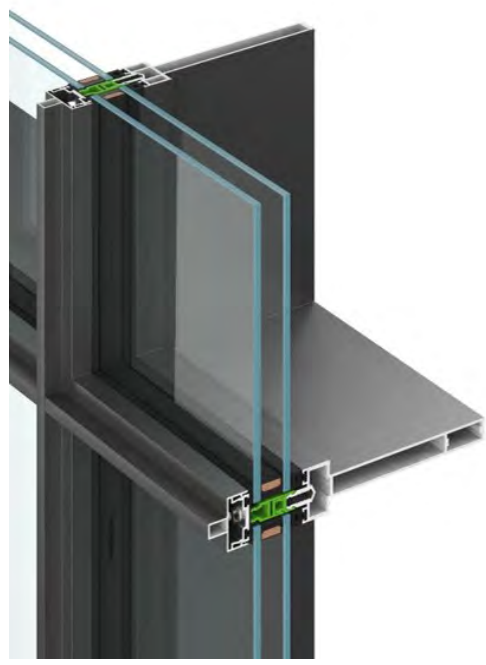
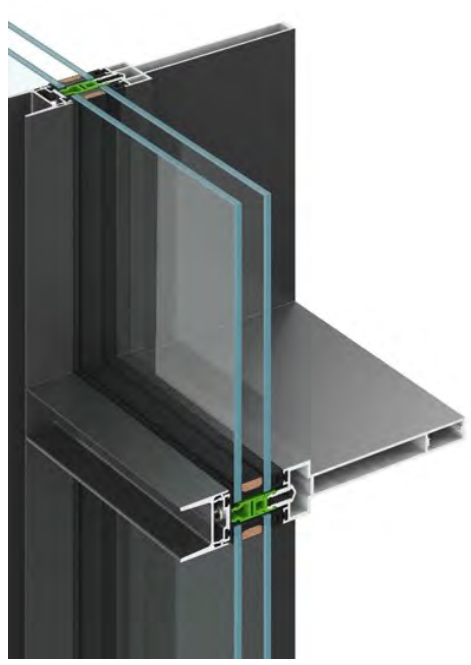
SKYLINE SL55 Infinity

Slim Sliding System



SKYLINE CW35

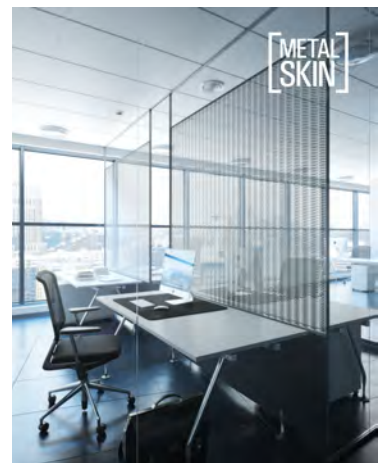
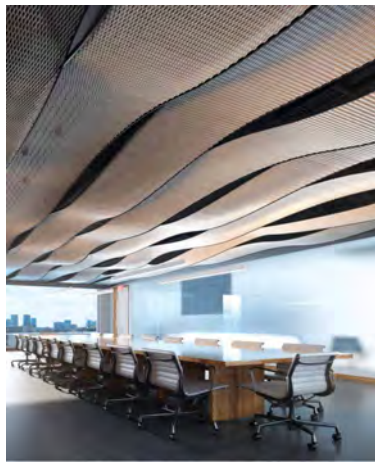
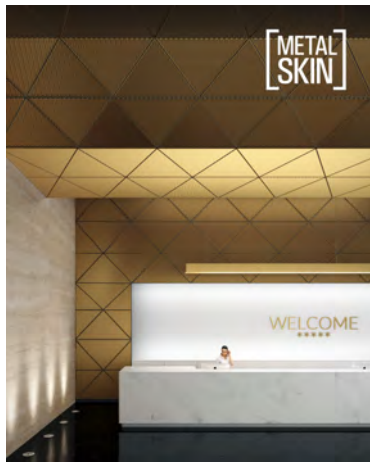
New Generation of Aluminco Curtain Wall System



SKYLINE Retro W85

Retro Look / Highly Insulated Hinged System





W450

Tilt & Turn Thermal Insulating System



W540

Tilt & Turn System (Non Thermal)



W450HS

Tilt & Turn Thermal Insulating System (Hidden Sash)



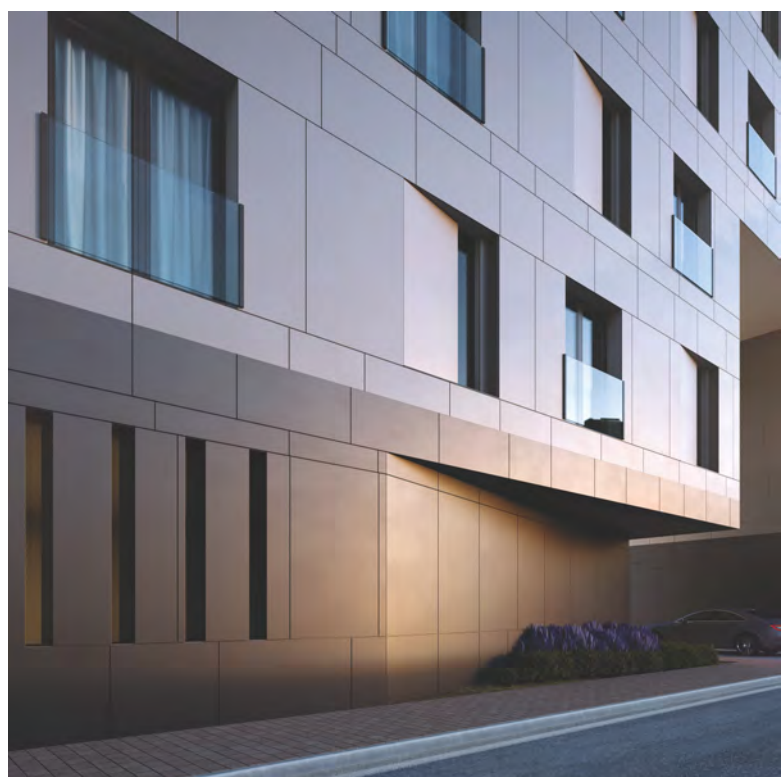
W4750

Top Performance Advanced Thermal Hinged System



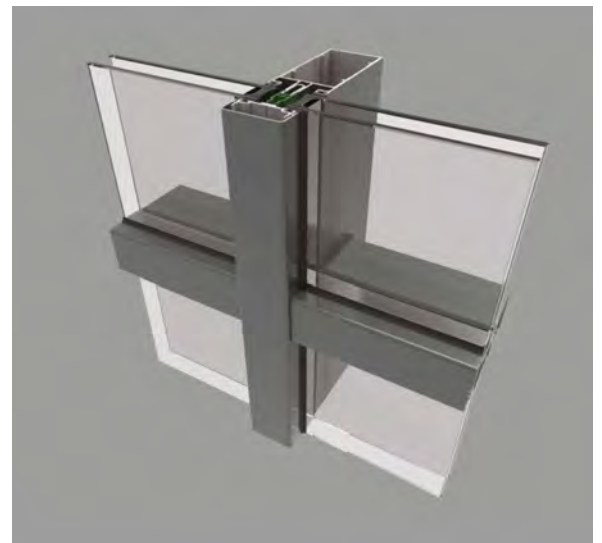
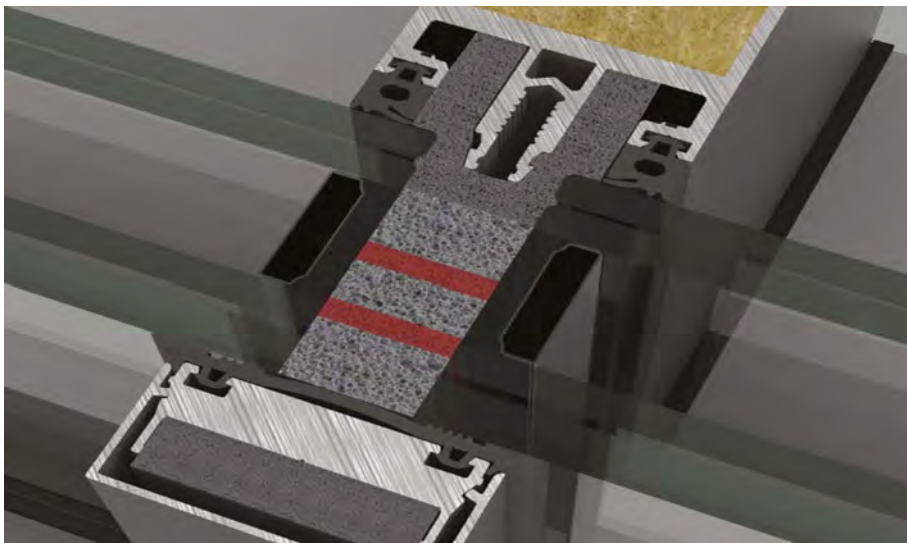
Julietta

For Juliet Balcony / "No Balcony" Barrier



EW50SP

Stability, Safety & Sound Performance Curtain Wall System



EW50

Curtain Wall System

Affordable quality & fully meeting all stability and safety requirements.



SH750 / SH700

Rolling Shutters



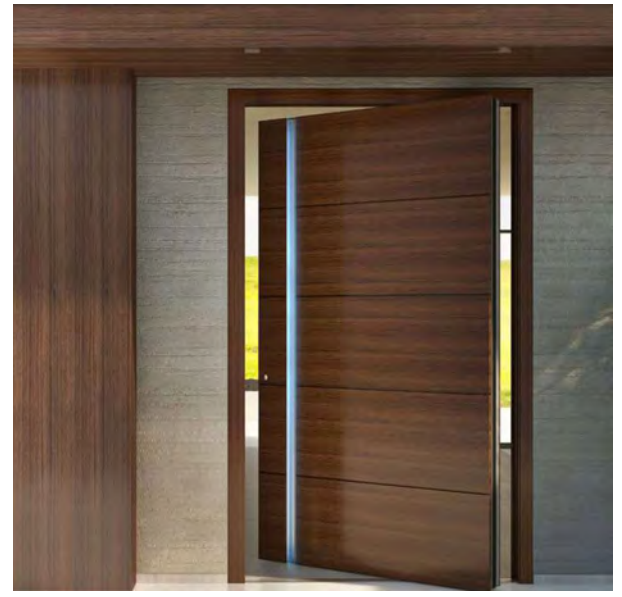
SH3200

Shutter System



D110

Pivot Door System



Pergolas Systems

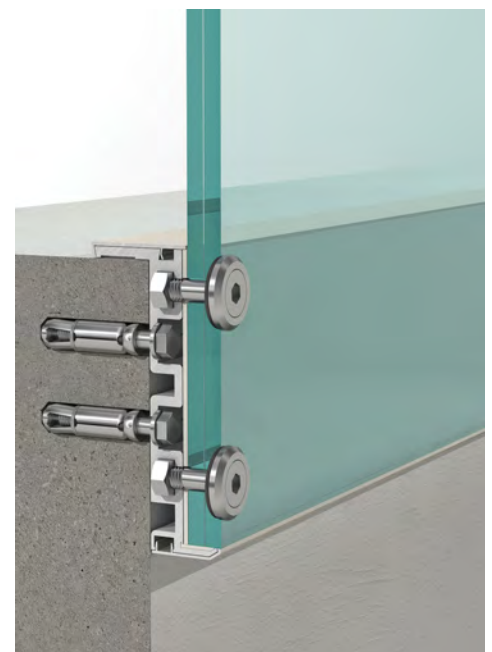
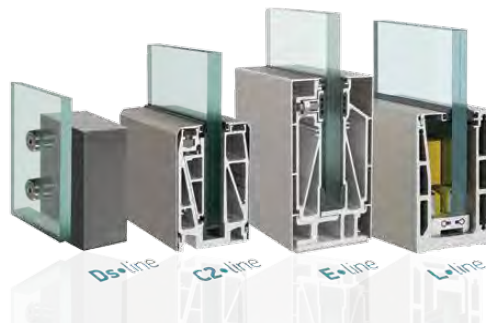
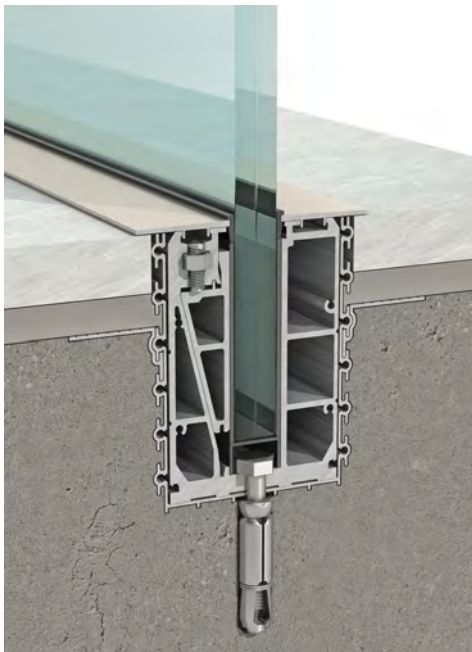
OUTDOOR *living*





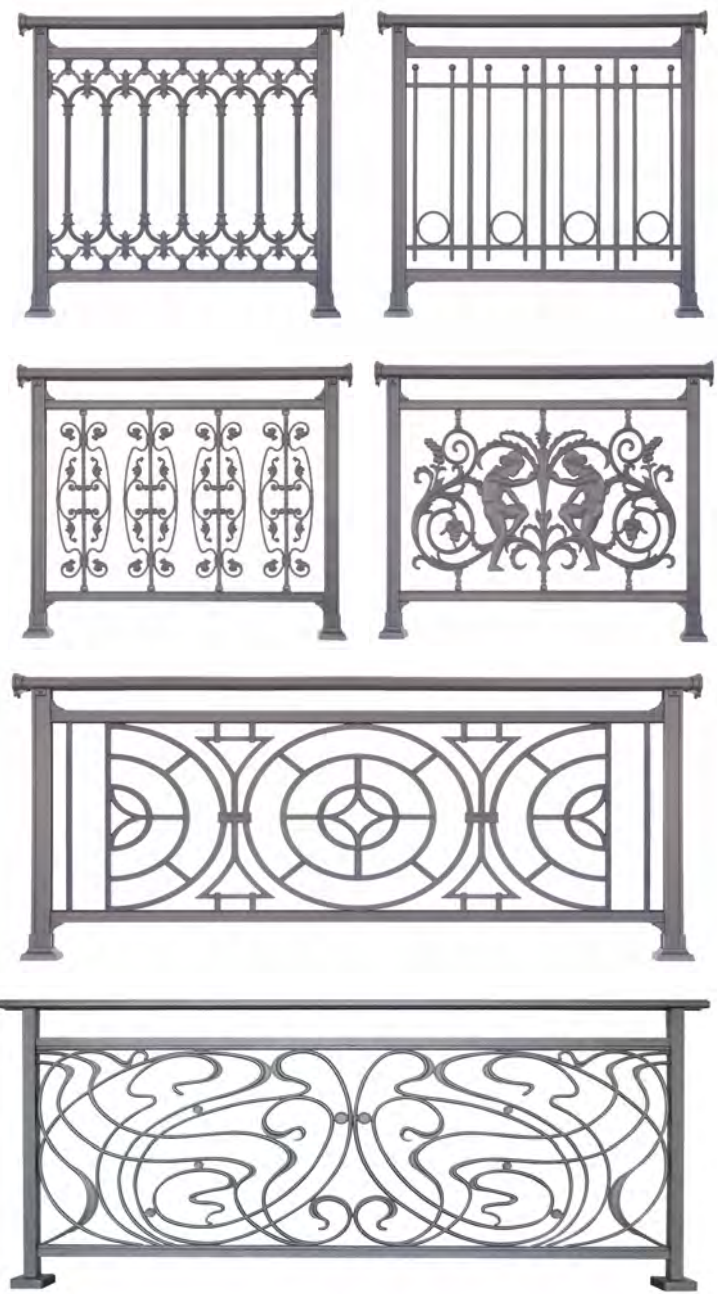
Railing Systems

Crystalline[®] railing system



Railing Systems

CLASSIC LINE



Railing Systems



Railing Systems

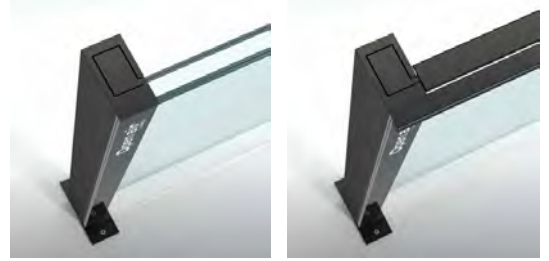
Fusion Line Slim Profile



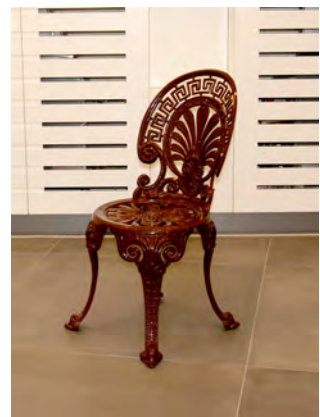
Railing Systems

Open air

by ALUMINCO



Aluminum Furniture *OUTDOOR living*



Aluminum Light Posts

OUTDOOR *living*



Gates & Fences



Gates & Fences



PCA Internal Partitions

Frameless Double Glazing
Acoustic Partition



Single Glass Partition A08



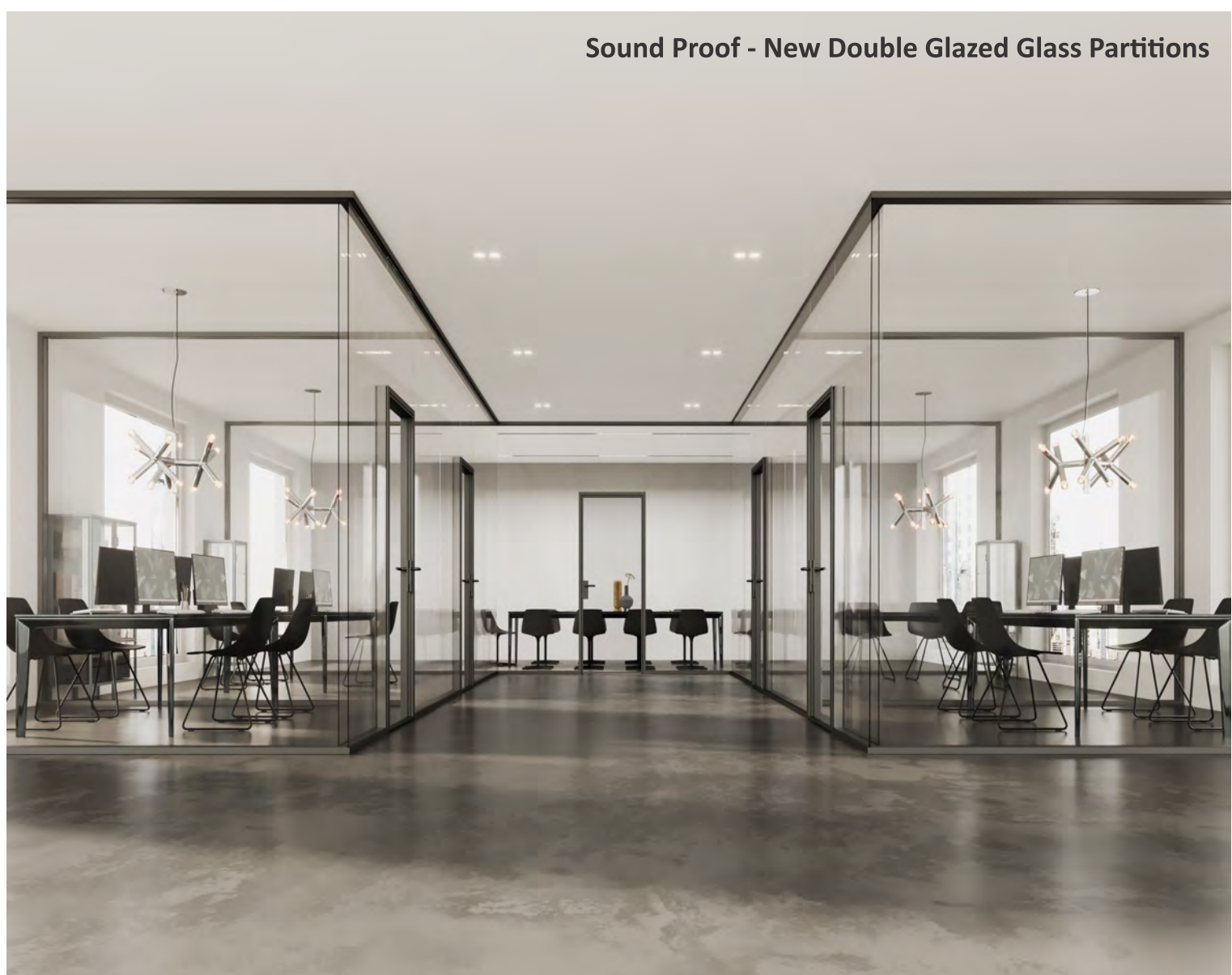
Glass Partition A10



OCA Internal Partitions



Sound Proof - New Double Glazed Glass Partitions



OCA Internal Partitions

Telescopic Sliding Partitions V3000



V3000



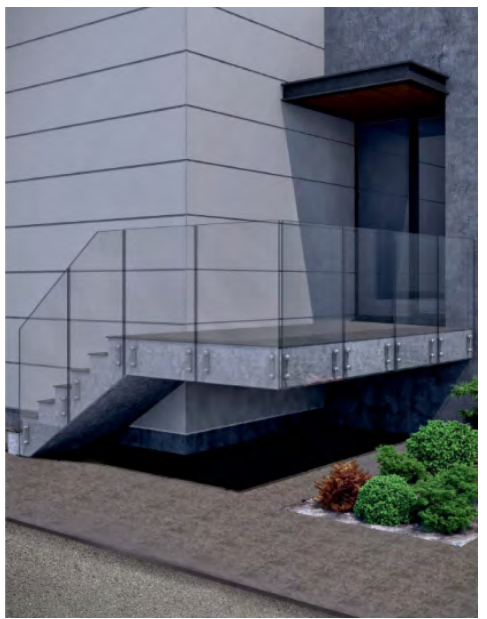
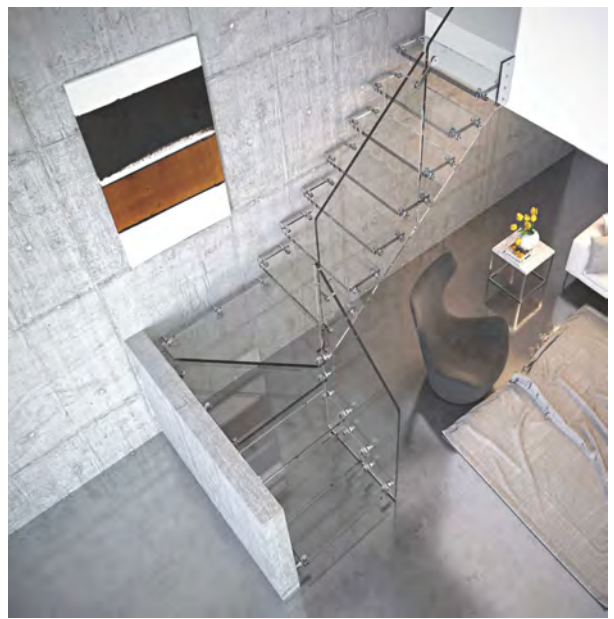
Telescopic Synchronized Door V1000



V2000



OCA Stairs, Enclosures & Showers





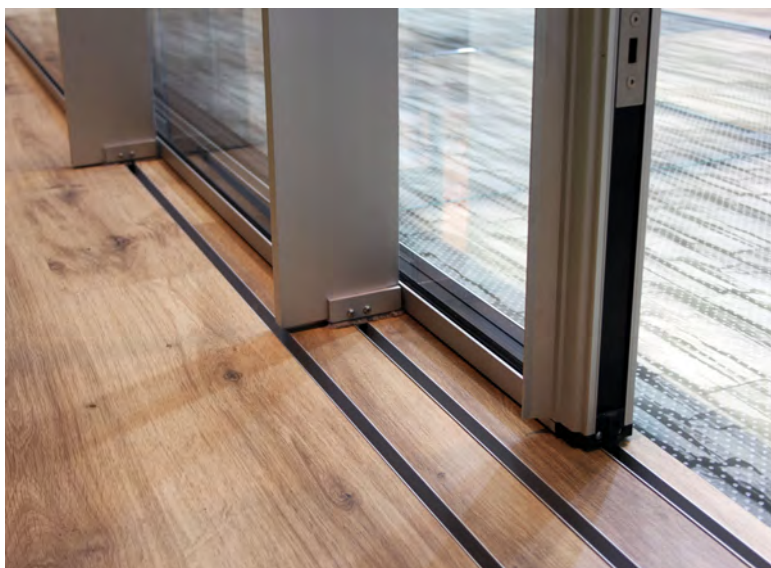
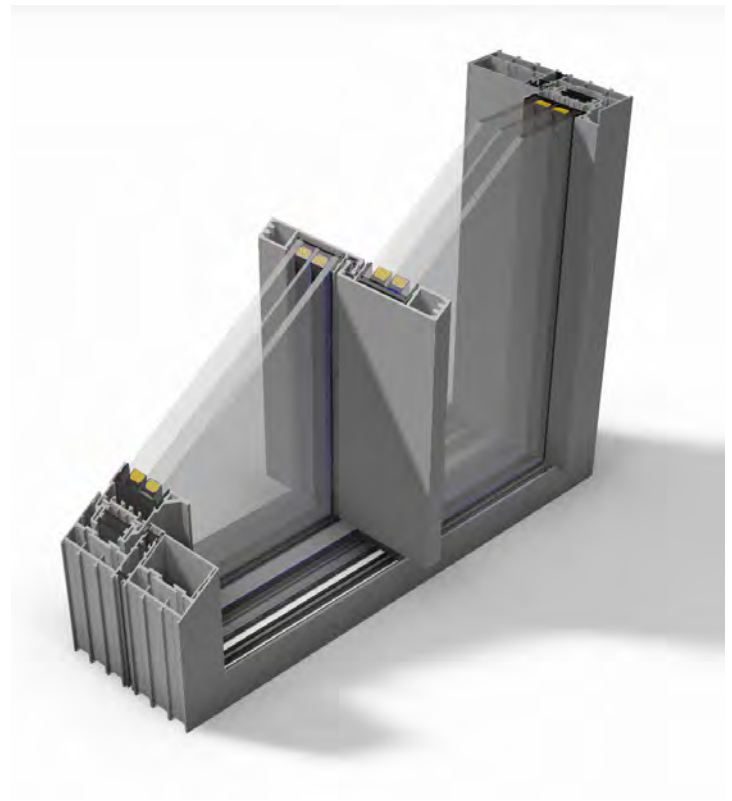
GRUPO
sosoares

The Group Sosoares has its origins in the creation of society "Sosoares – Máquinas e Ferragens, Lda" in 26th December of 1979, whose activity began as trade in machinery and hardware for the industry of aluminum window frames and own the brand "Sistemas Euro 2000".

Group Sosoares is committed & values the partnership with its customers & manufacturers in product development, in manufacturing & after sales service with the ultimate goal of insuring customer satisfaction.

OS System (Slim)

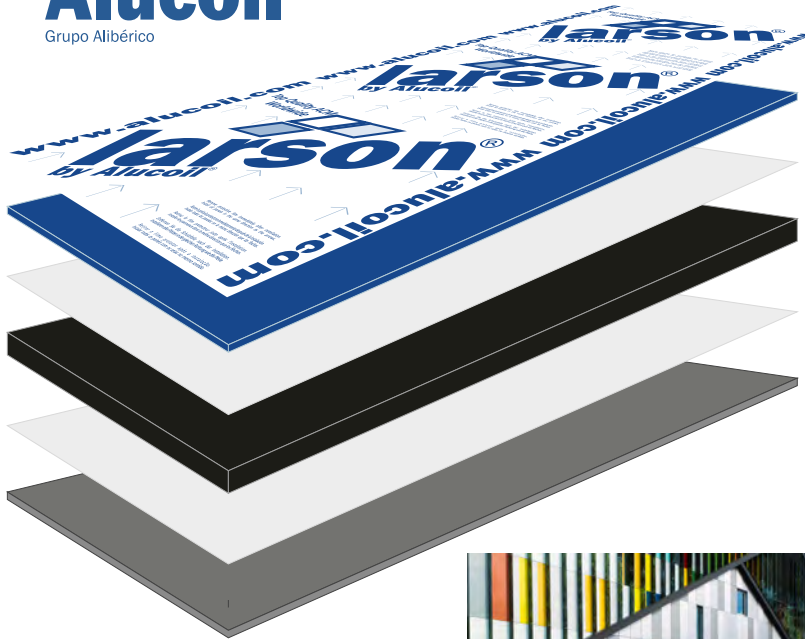
Minimalist System with Thermal Break





GRUPO sosoares





- 1 Film protector - Protective film
- 2 Metal - Metal
- 3 Adhesivo - Bonding layer
- 4 Núcleo Mineral FR o Polietileno PE
Mineral FR or Polyethylene PE Core
- 3 Adhesivo - Bonding layer
- 2 Metal - Metal

larson[®]

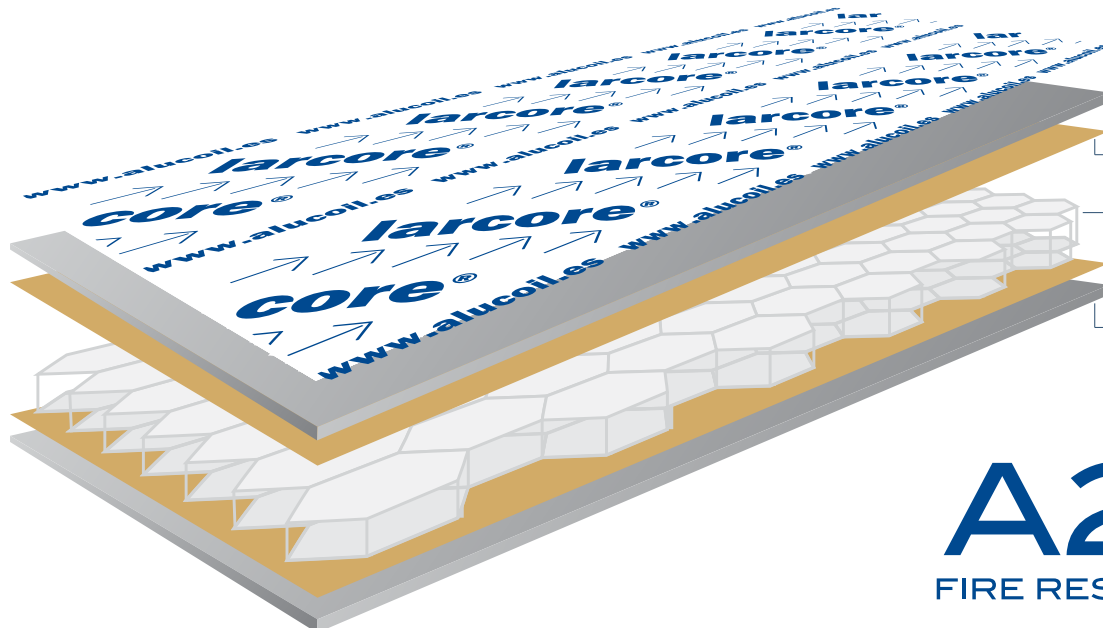


larcore[®]

Aluminium Honeycomb Panel



larcore[®] A2

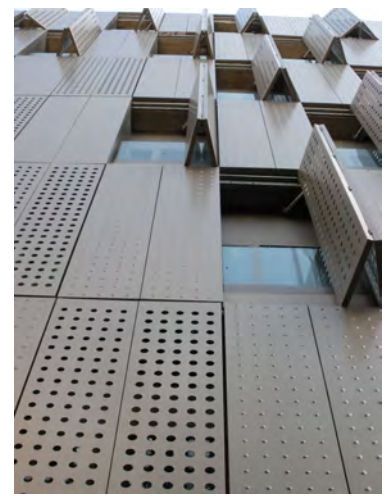


- 1 Protective Film
- 2 Aluminium
- 3 Adhesive
- 4 Honeycomb core
- 3 Adhesive
- 2 Aluminium

A2 
FIRE RESISTANT



Alucoil
Grupo Alibérico





Flexibility, Quality, Robustness and Elegance are the characteristics that best define its doors.

Aware of market demands, customer satisfaction being a main goal, Flexidoor provides products that combine quality, robustness, aesthetics and elegance. Flexidoor products can fit into any type of building.



Sectional Doors (Industrial) Dock Levellers

Flexidoor dock levellers are the ideal solution to make the loading process easier. These solutions are composed by several product types just like dock shelters and dock seals.

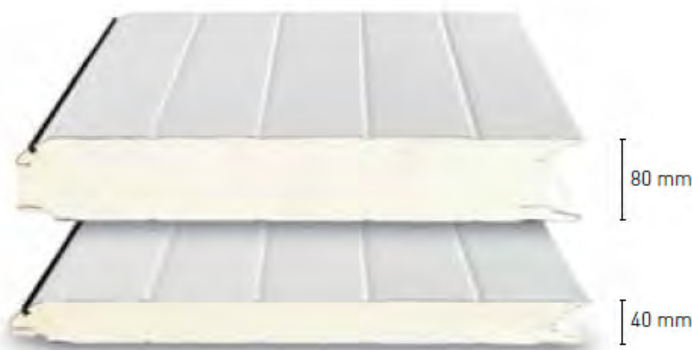
These set of solutions contribute to the perfect balance between agility, functionality and safety.



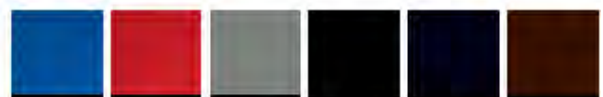
BIGALU

With different types of manufacturing, this door consists in aluminum panels with acrylic or double glass. The BIGALU door is the perfect solution for greater brightness entry in the area in which they are applied.

The BIGALU is also a door in which we can combine the normal sandwich panel with the aluminum panels with glass/acrylic or replace this vision panels area with perforated plates for a greater air passage.



9010 9006 8014 1015 6005 6009



5010 3000 9007 9010 7016 8017



OTHER COLOR FROM RAL CATALOGUE



LUX Doors

Flexidoor presents its new Sectional Door LUX. An innovative design which will favor the aesthetics of any home or building which it is inserted.

This door is composed of an aluminum structure identical to the structure of our gate BIG ALU, however, its panels are made of phenolic panels capable of withstanding the most demanding weather conditions and may be exposed to sun, rain and cold, keeping its aesthetics unchanged.





Giménez Ganga is a company that has been providing solutions for windows, sunlight protection and decoration since 1959.

We make and sell rolling shutters, rolling doors, aluminium and PVC boxes, window and door shutters, blinds and curtains, louvers, folding doors, ceiling coverings, mosquito screen, awnings, pergolas and Alicante blinds.



REGUSOL Celosías Louvres

Mod.I



Mod.V-5



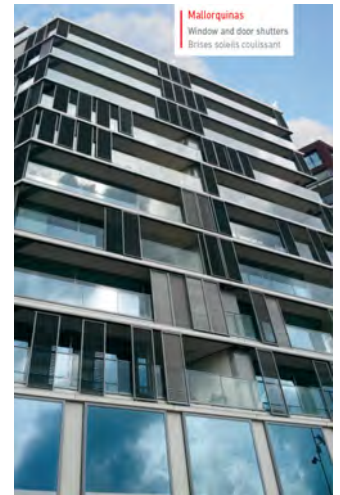
Mod.V-200



Mod.A-145

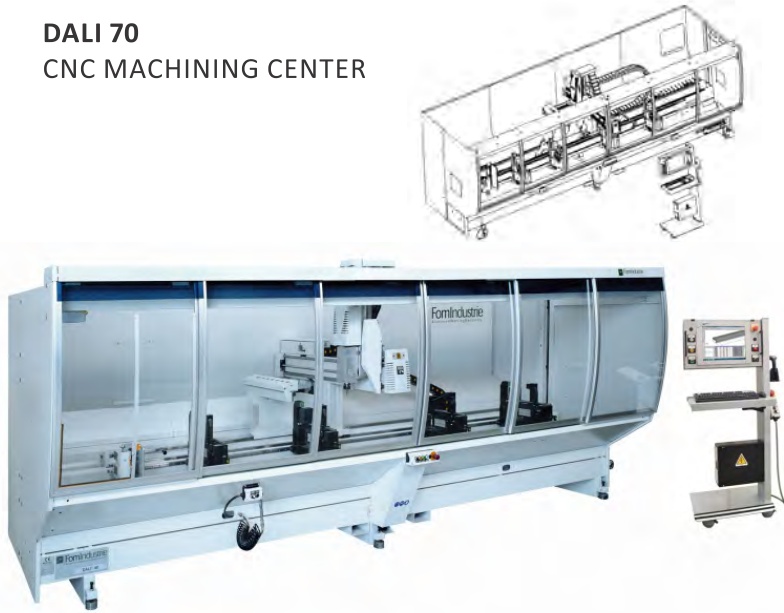


Mod.O-300



Alexco deploys the top state-of-the-art high-tech machinery in the industry. Computer Controlled Machinery eases and speeds up work, sustains high precision cutting & bending of profiles. Research, study and import of the latest & most advanced equipment is an ever continuous process at Alexco. Lately we have expanded the facility to house new machinery & store more raw materials.

DALI 70 CNC MACHINING CENTER



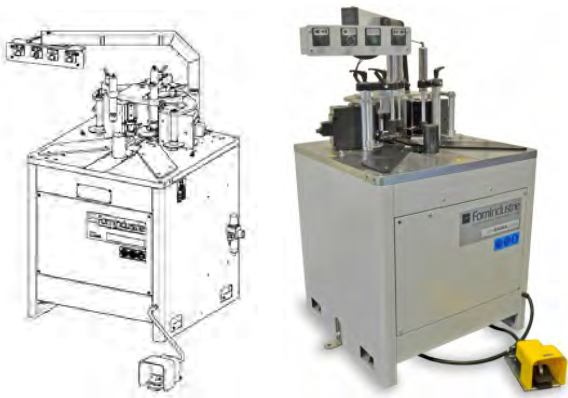
MATISSE

Electro-Pneumatic copy router with 0° - 90° overturning work table.



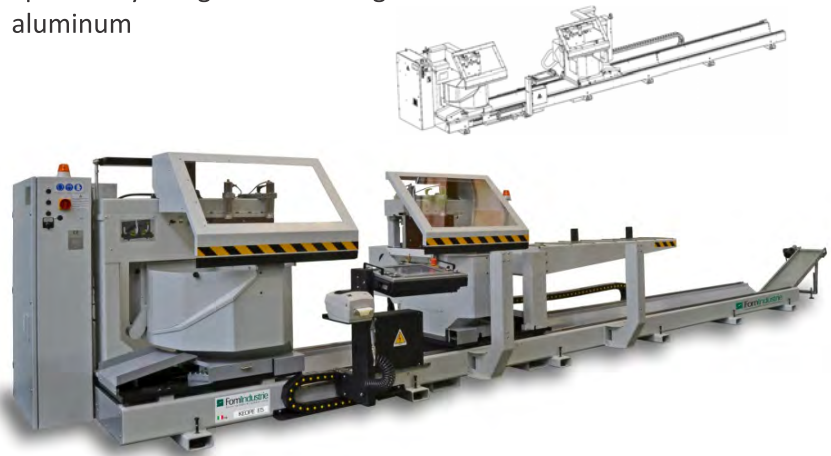
BAIHA L:

Crimping machine for corner assembly is designed to crimp aluminum profiles.



KEOPE E5

Specifically designed for sawing aluminum



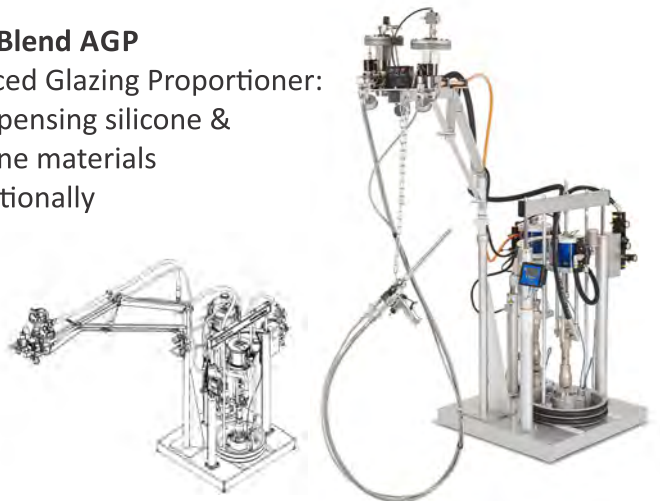
MIRAGE XZ 10407

Electro-Pneumatic sawing machine with up-feed blade 400 mm Ø with automatic feeder - 90° cutting



ExactaBlend AGP

Advanced Glazing Proportioner:
For dispensing silicone & urethane materials proportionally



1st

Aluminum Showroom in Lebanon



#alexcoaluminum



FACTORY

- 📍 Industrial Area - Aley, Lebanon.
- ✉ P.O. Box: 20 Aley, Lebanon.
- 📞 +961 70 119 033
- ☎ +961 25 550 250 / +961 25 555 250
- 📠 +961 25 556 250
- ✉ info@alexco.com.lb

SHOWROOM

- 📍 Amaret Chalhoub, Zalka Highway
- 🏢 Rise Building, Mezzanine Floor.
- 📞 +961 3 195 195
- ☎ +961 1 894 594
- 📧 Showroom@alexco.com.lb

www.alexco.com.lb