



The W85HS is a highly insulated hinged system, offering the greatest possible degree of architectural design freedom by maximizing natural daylighting and granting enhanced views with outstanding insulation levels. Instantly recognisable, W85HS is a system with intense personality. The system's ingenious design and structure, its solid, minimal face lines, the concealed elements, and the design perfection of the components in combination with the choice of high-quality materials encapsulate impressive energy levels, offering one top, contemporary window.

Distinguished by its wide -picture frame- openings and the minimal elements, the system ensures a particularly bright and welcoming ambience in the interior. At the same time, it offers maximal user comfort due to increased thermal properties, make it ideal for demanding architectural challenges.

# View Master

- Maximum light penetration
- Slender face widths with concealed window elements
- Outstanding thermal and sound insulation levels
- Impressive water and air tightness
- Concealed fittings are possible
- Suitable for both double and triple glazing
- Easy access low threshold meets international requirements
- Ideally suited for demanding residential projects



# Modern Living

The View Master W85 HS exploits its clear, elongated lines and concealed window elements, as two exciting design features to create an external elegant visual appearance.



# A sense of flow with light-filled spaces

A frame design that follows the latest trends to accentuate brightness of space and create aesthetic solutions with great emotional impact. This is the View Master from inside, specially designed to foster feelings of freedom and wellbeing. Due to the combination of large-scale openings and slimline yet strong profiles, a sleek, clean design is achieved, offering a spacious light-filled living environment.



# Efficient Connectivity

The transparency of the W85 HS windows in combination with the slimline facade CW35 allow the views to penetrate the building. The outside blends with the inside and the passing of the seasons connects with daily life. The system generates maximum transparency by merging the sash with the facade structure, where fixed fields and opening units are indistinguishable from the outside. Through this connectivity which combines extremely slimline face widths with the highest degree of functionality and optimum thermal insulation, a new empathy is established between building and place.



# Engineered for everywhere

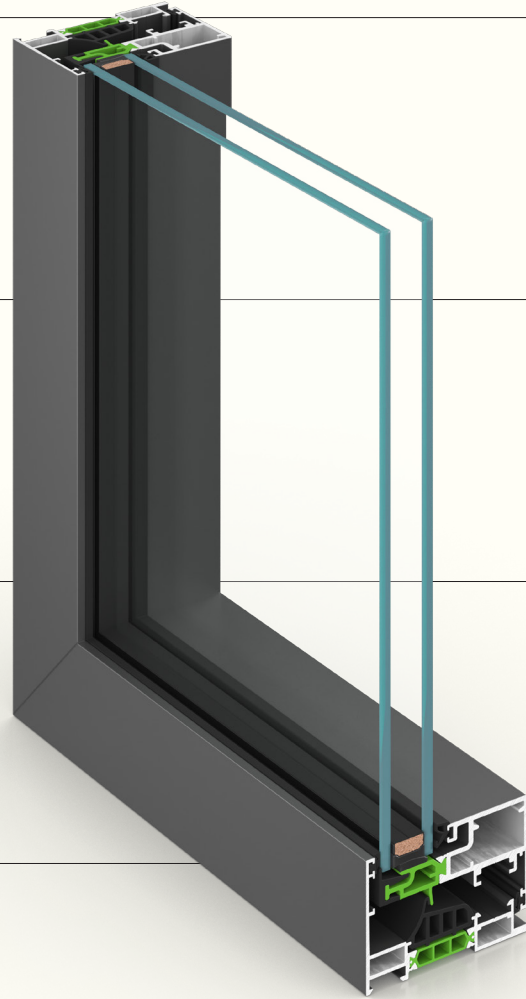
The View Master W85 HS features the greatest components and materials, providing the finest go-anywhere performance. Designed to offer unrivalled comfort and wellbeing, the system aims to provide first in class air-wind-water performance. The system boasts for superior thermal comfort and refined acoustics, while the low bottom threshold has been designed to be stylish and to provide an easy-access entrance.



# TC

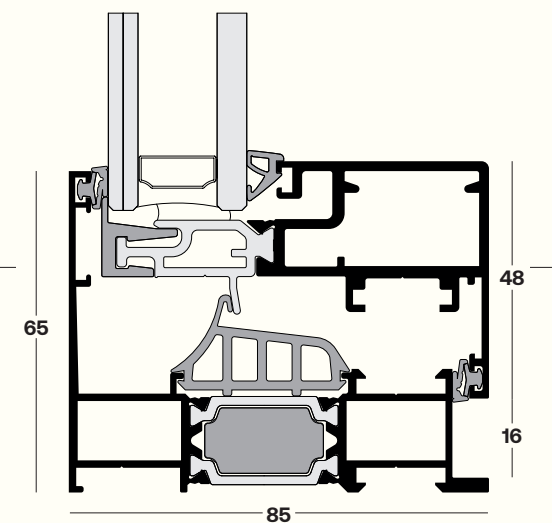
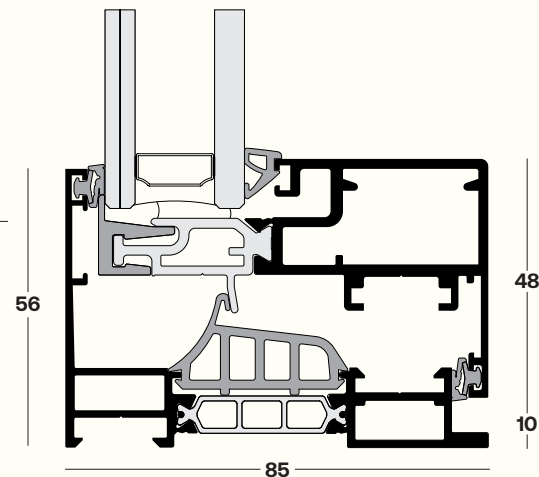
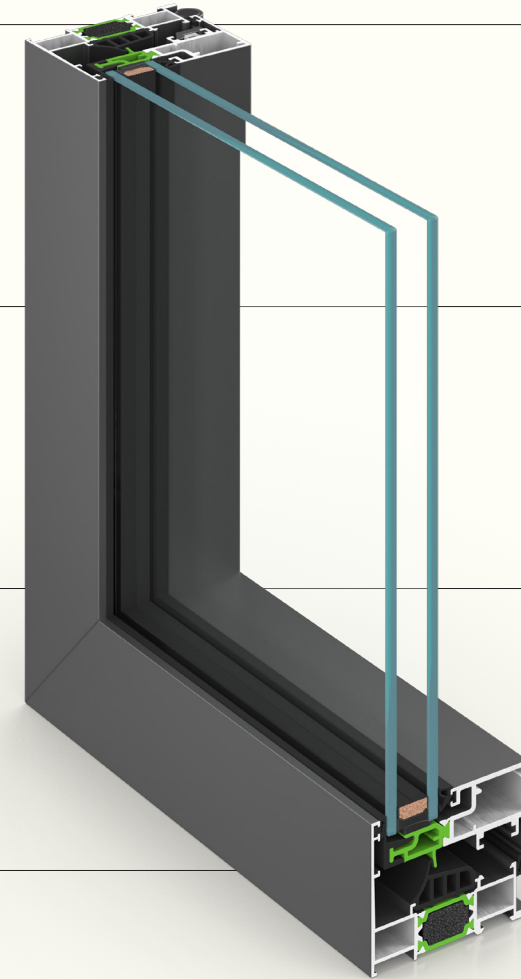
## Low Frame

Opening section with low profile frame for greater transparency and modern aesthetics. Use of only concealed hinges for high-quality, stylish architectural solutions.



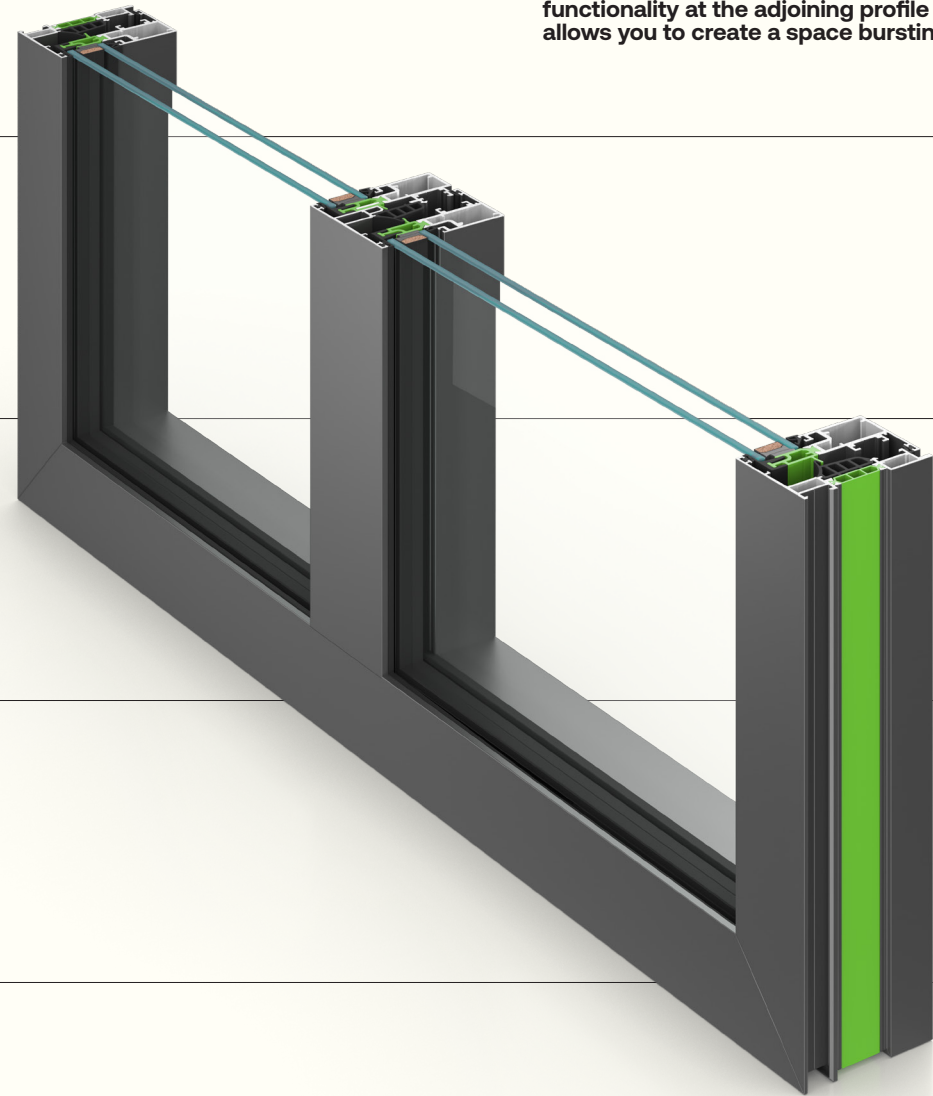
## Standard Frame

Opening section with more visible frame for robust constructions and with the less possible retreat in terms of aesthetics. Use of visible hinges or concealed hinges.



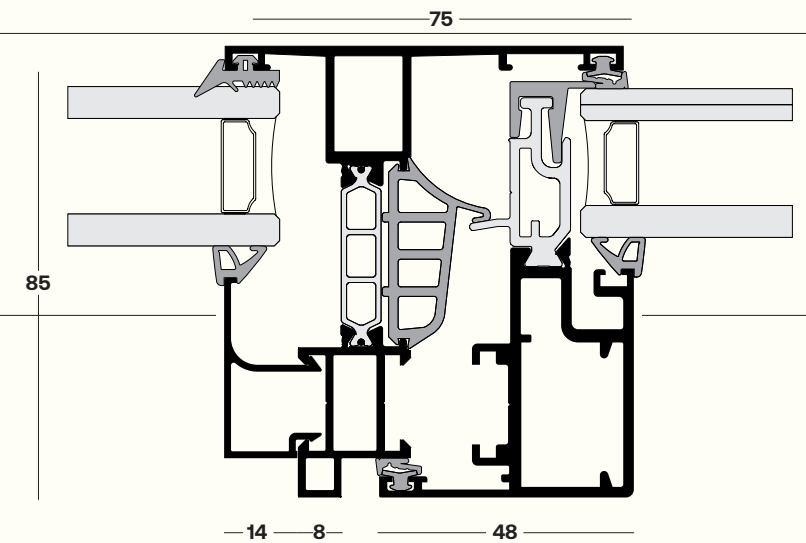
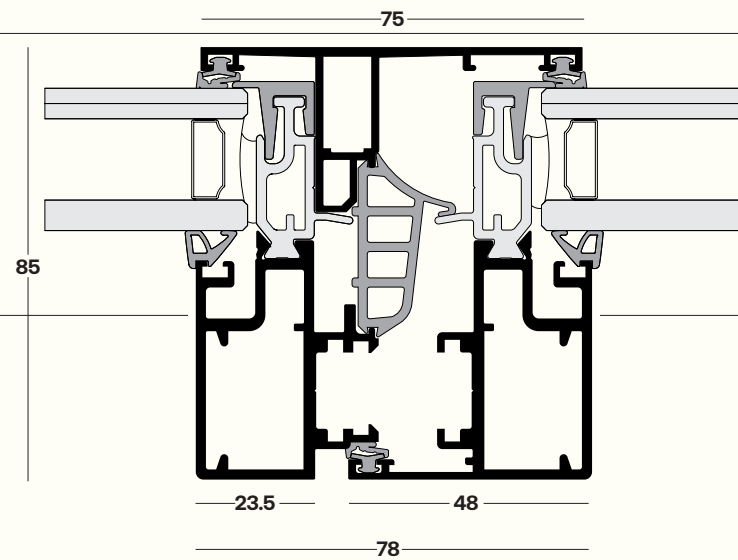
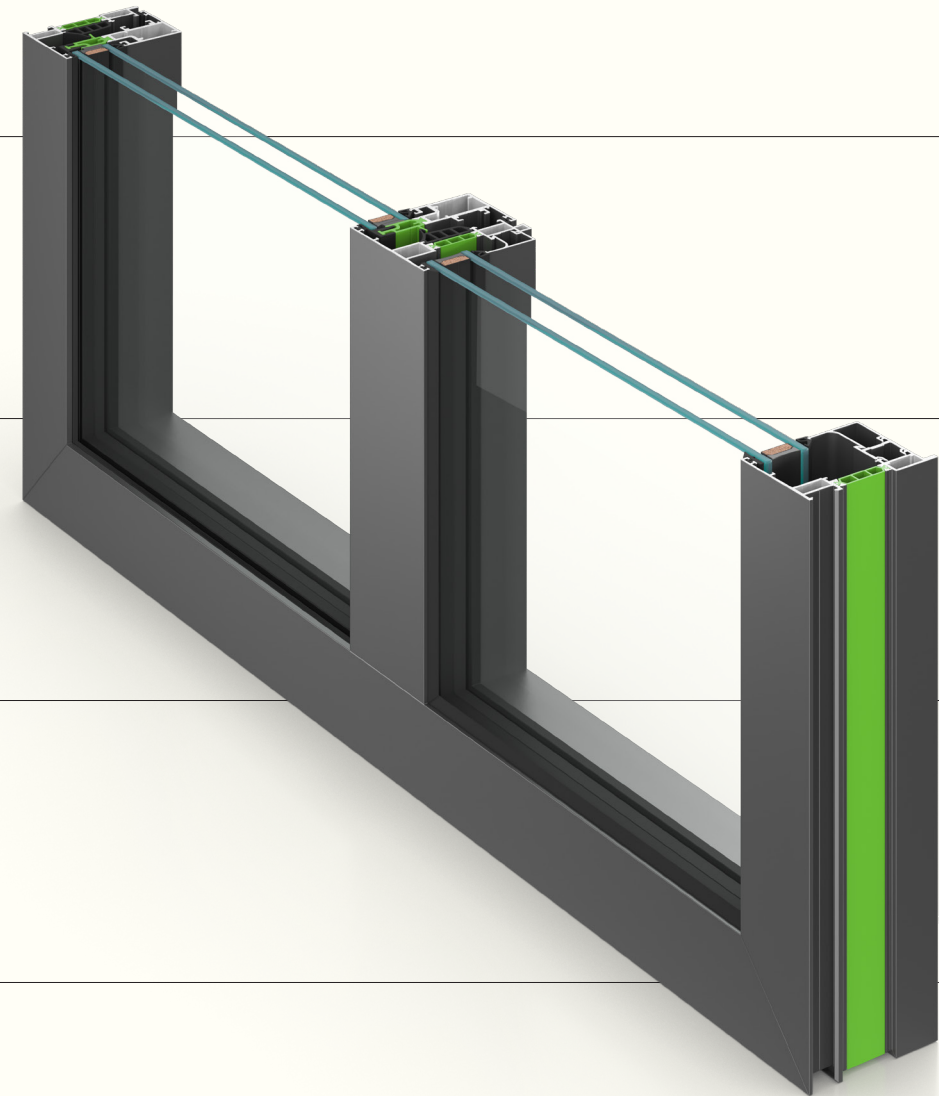
### Narrow Viewing

The narrowed and hidden sash have reduced the overall width of the frames, providing reduced appearance with maximum functionality at the adjoining profile to just 78mm width and thus allows you to create a space bursting with minimal character.



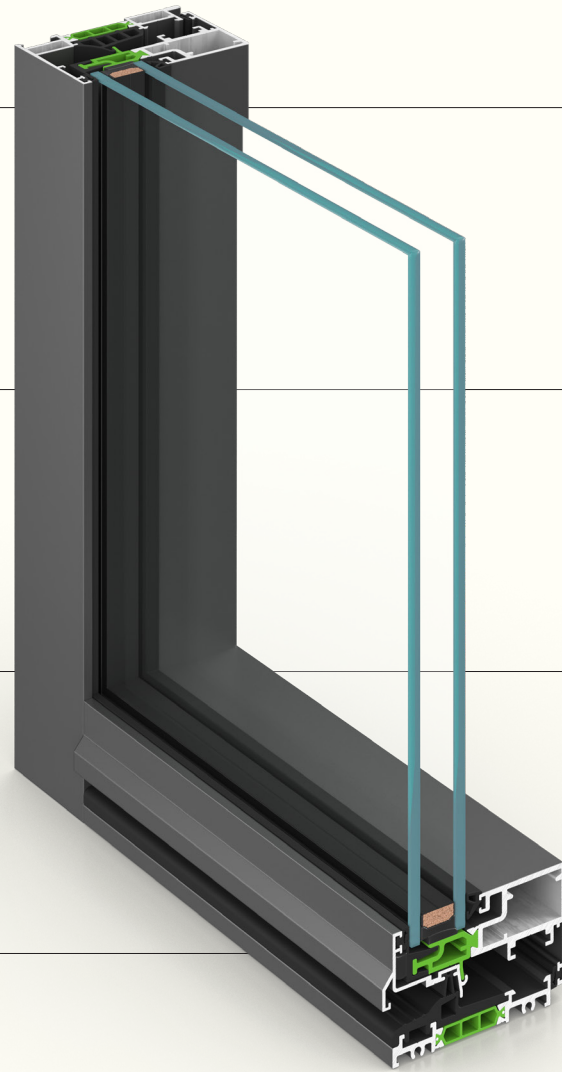
### Light-Filled Living

Fixed frames allow you to create a space bursting with minimal character.



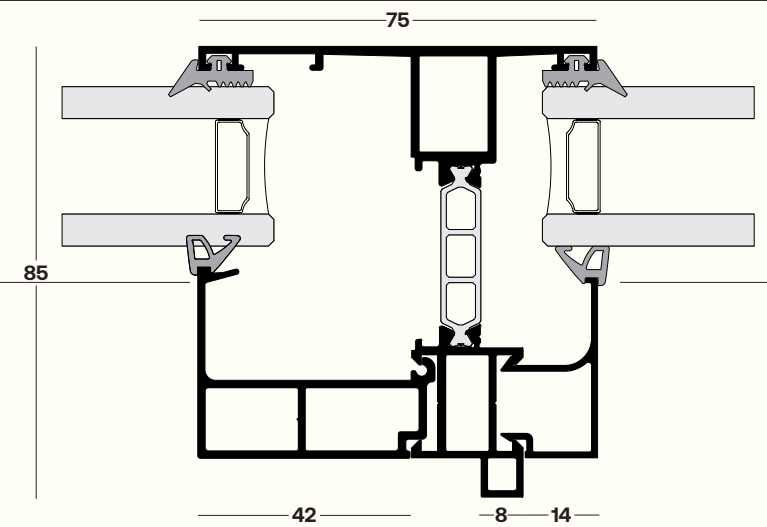
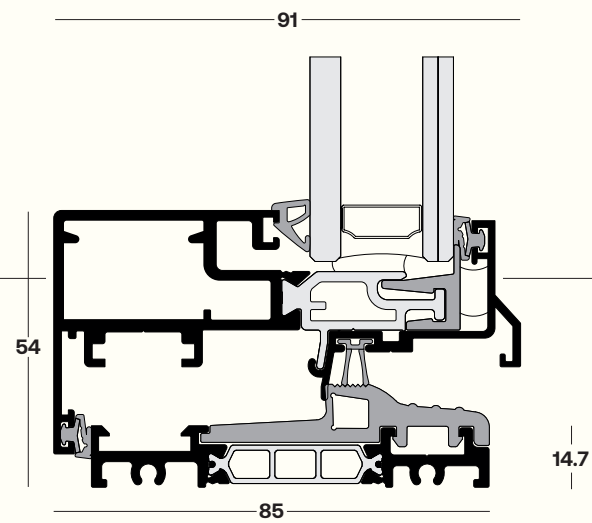
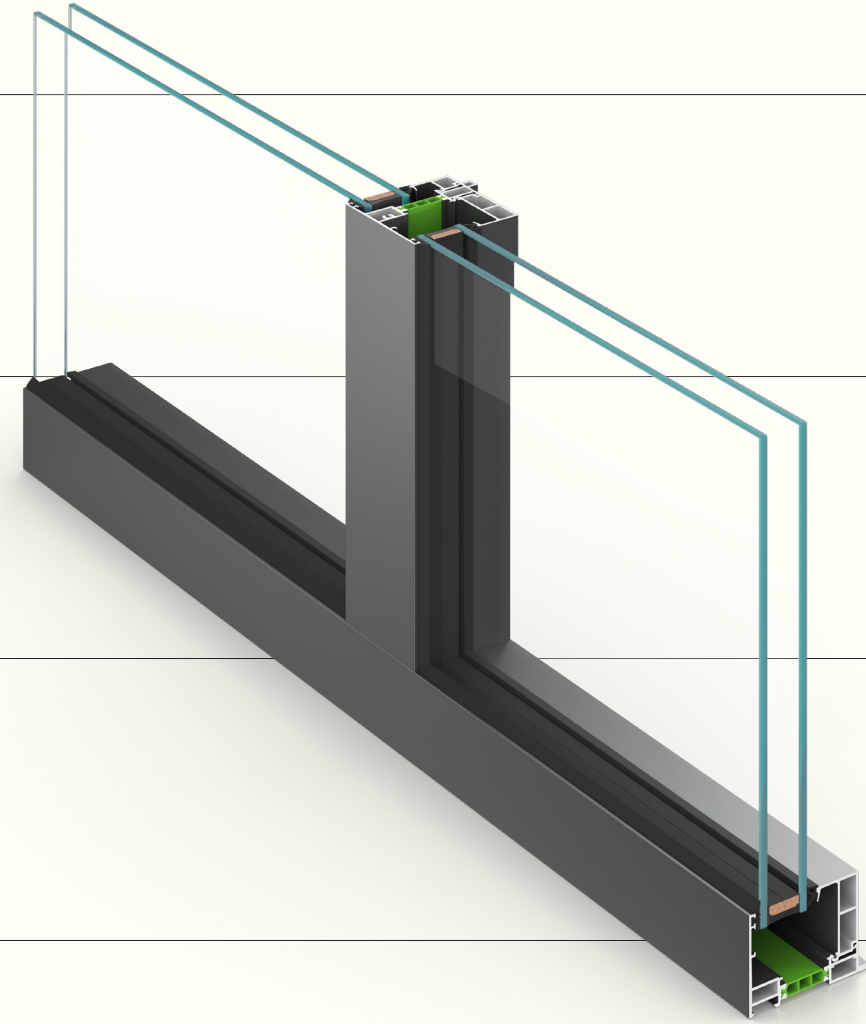
### Low Threshold

The height of 14.7mm creates an easy access, making the living space very comfortable and convenient.



### Elegant Joint

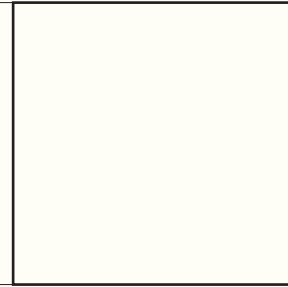
Fixed frames with less profile joints offer better aesthetic result, thereby meeting all of today's architectural requirements.



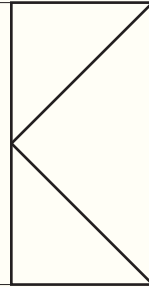




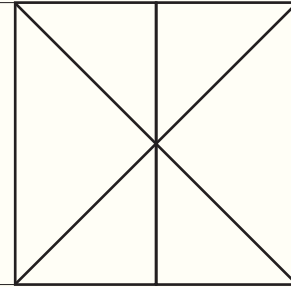
## System Configurations



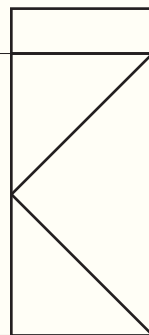
● One Fixed Light



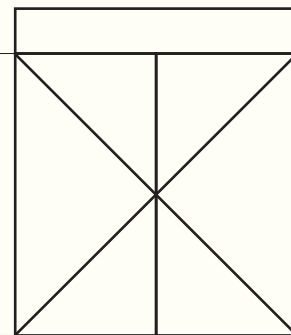
● Single Side Hung Casement or Tilt & Turn



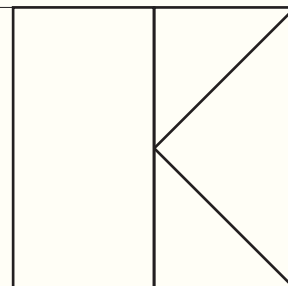
● Double Side Hung Casement or Tilt & Turn



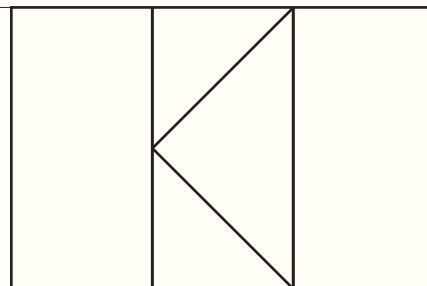
● Single Side Hung Casement or Tilt & Turn With Fixed Light



● Double Side Hung Casement or Tilt & Turn With Fixed Light



● Fixed & Single Side Hung Casement or Tilt & Turn



● Two Side Fixed & Single Central Side Hung Casement or Tilt & Turn



## Technical Data

○ Category

↘ Value

- Exterior Aesthetics → Flat / minimal design with hidden sash
- Window Types → Hinged
- Frame Depth → 85 mm
- Sash Depth → 78 mm
- Minimum Visible Aluminum face Height (Frame-Sash) → 56 mm

- Minimum Visible Aluminum Face Width (Adjoining) → 78 mm
- Minimum Threshold Height → 14.7 mm
- Maximum Sash Width → 1,200 mm
- Maximum Sash Height → 2,400 mm
- Maximum Sash Weight → 150 kg

- Sealing Method → Perimetrical, 3-level with EPDM gaskets
- Hardware → Visible / Concealed hinges 180°
- Glass Type → Double / Triple
- Glass Thicknesses → From 28 mm up to 40 mm
- Type Of Thermal Insulation → Polyamides 30 mm, Insulation Foam



## System Performances

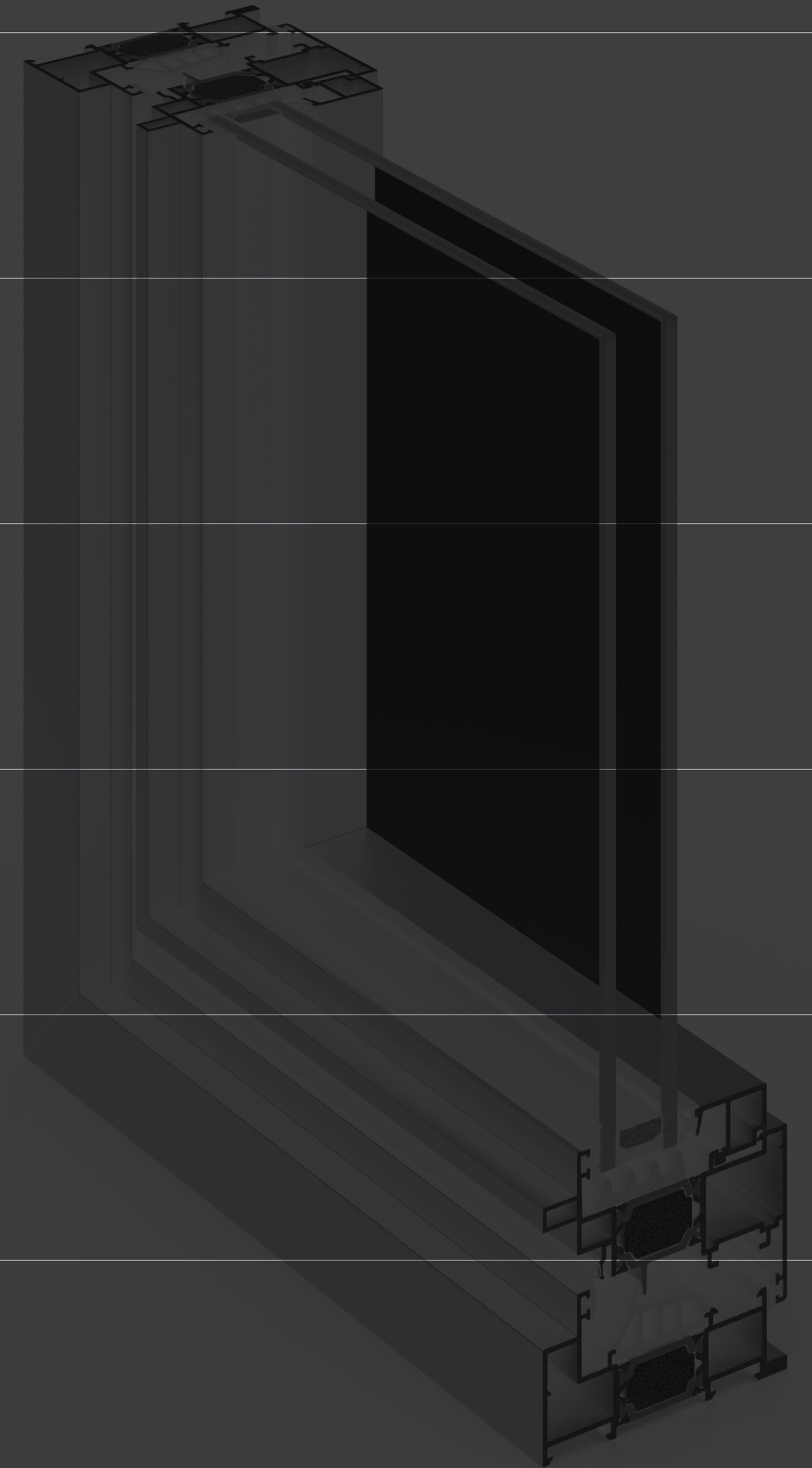
○ Category

↘ Value

- Thermal → Uf values from 1.4 W/(m²K)
- Air Permeability → Class 4
- Water Tightness → Class 8A
- Wind Load Resistance → Class C2/B2
- Acoustic → 44 dB

Ø5 →

W85<sup>ST</sup>



ID ↘

The W85 ST is a SKYLINE highly insulated hinged system, which imitates the style of traditional steel windows, adding the value of superior thermal efficiency and turning the window of a house or a terrace (patio) into a New York loft. The system offers attractive slimline face widths with a high level of functionality, security, comfort, and more retro look. In combination with its excellent thermal properties, W85 ST is specially designed for refurbishing old steel windows or fitting new-build houses with elegant, retro look, windows.

Distinguished by its wide -picture frame- openings and the retro elements, the system creates an environmentally friendly living in an urban context. At the same time, it offers the ideal perspective for demanding architectural challenges.

# Retro Look

- Elegant retro-look design
- Perfectly match the latest trend in industrial architecture
- Maximal user comfort due to increased thermal properties
- Impressive water and air tightness
- Concealed fittings are possible
- Suitable for both double and triple glazing
- Easy access low threshold meets international requirements
- Ideally suited for refurbishing old steel windows



# The perfect retro scene

The W85 ST brings the charm of another era to your space. A timeless piece that combines retro look with modern elements. The system guarantees unparalleled quality and is the landmark window of practicality and aesthetics. It covers every need for functionality and perfectly agrees with spaces that have exceptional taste. It fits in all areas, due to its simple, clean lines.



# Elegance and comfort

The W85 ST has a clean, timeless look. It perfectly captures the philosophy of industrial design whilst is designed with an emphasis on functionality and greater comfort. In typically SKYLINE approach, everything that contributes to comfort has been carefully considered and rethought. By using a low-level threshold of only 20mm, maximum comfort for people of all ages is offered. Secure and comfortable operation is achieved thanks to high-quality components. Visible or concealed hinges for safe and long-lasting function are reliable options and meet today's requirements in modern architecture.



# Exploring industrial aesthetics

Admired by the symmetrical design and classic proportions, the W85 ST windows enhance and adherence even more to industrial style rules with the use of Georgian bars, dividing the frame horizontally and vertically lines, fully aligned with the trends of modern architecture.



# Unconditional performance

Four core themes are used to create the perfect living environment: increased thermal insulation values and sound reduction, excellent weather performance in terms of air tightness and watertightness, enhanced security, and ease of access. This extremely elegant system uniquely frames your living space and assures the best performances ever.



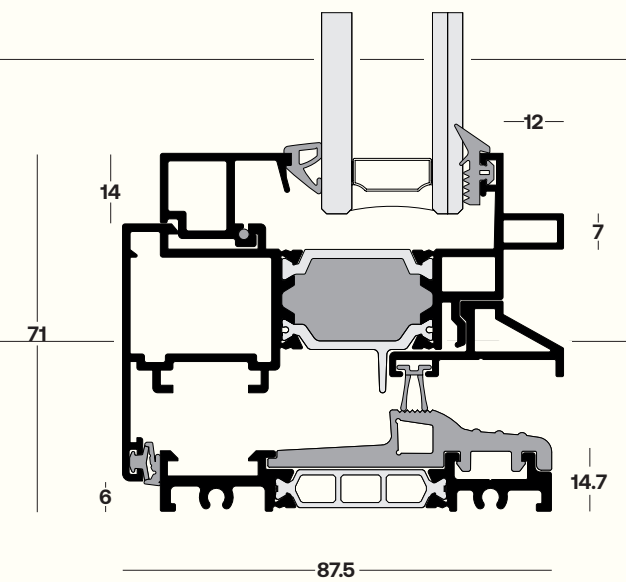
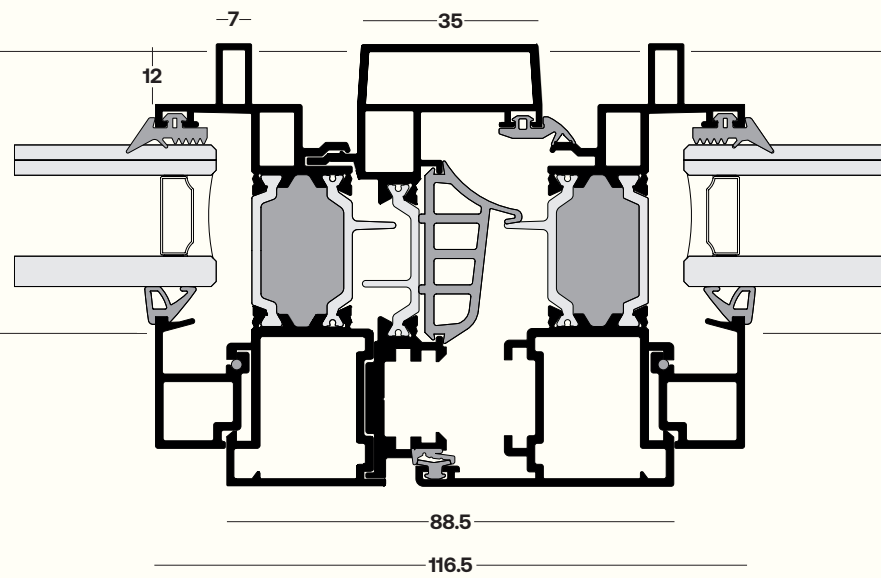
# TC

## Elegant Join

Reduced appearance with maximum functionality at the adjoining profile of 116.5mm width

## Low Threshold

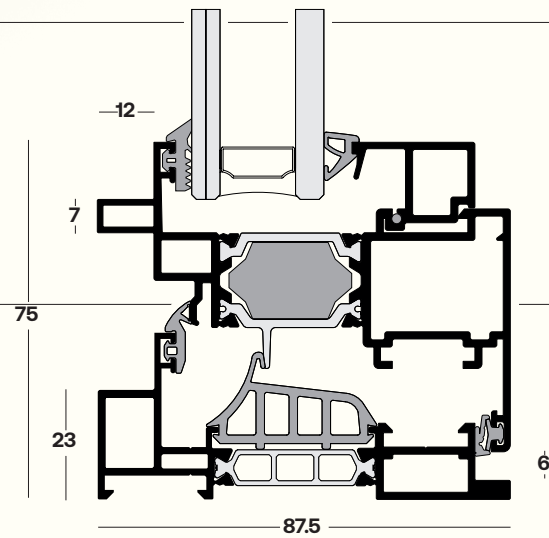
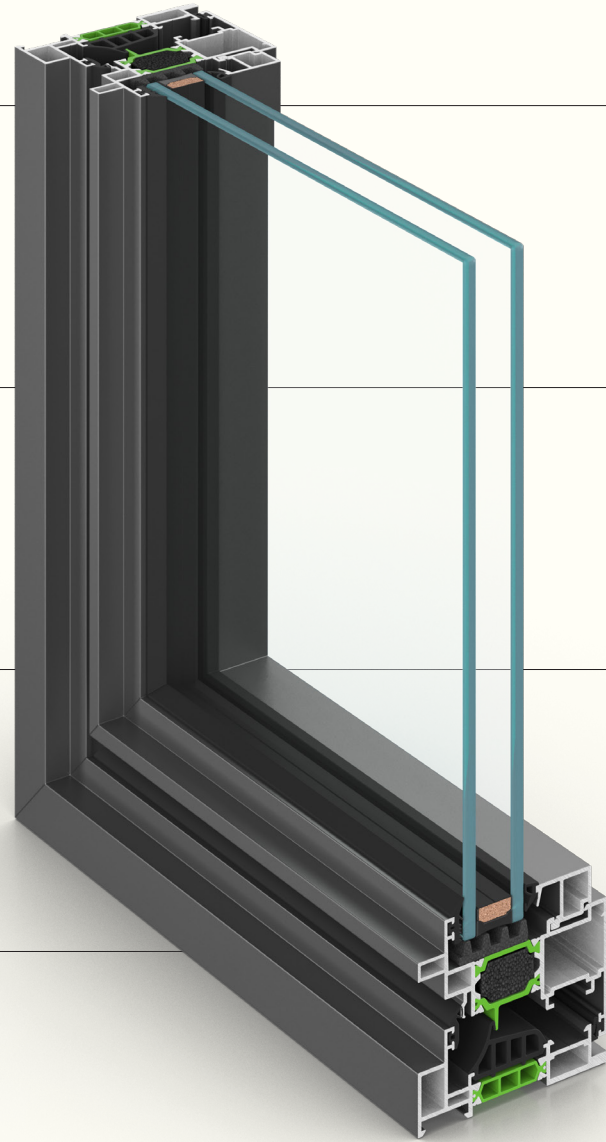
The height of 14.7mm creates an easy access, making the living space very comfortable and convenient.





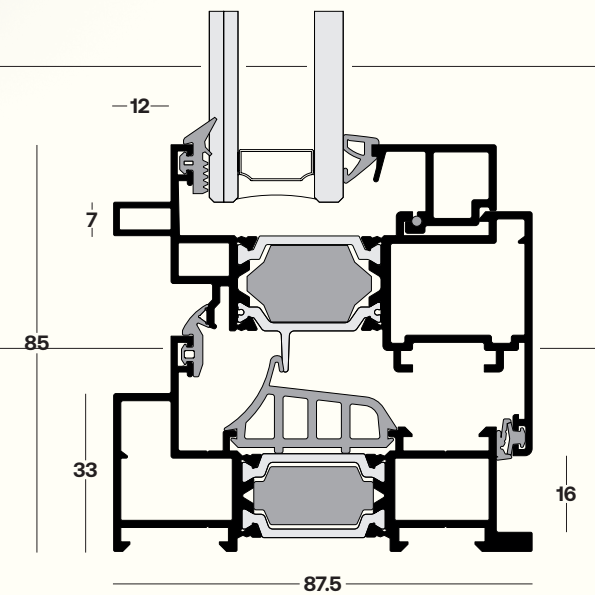
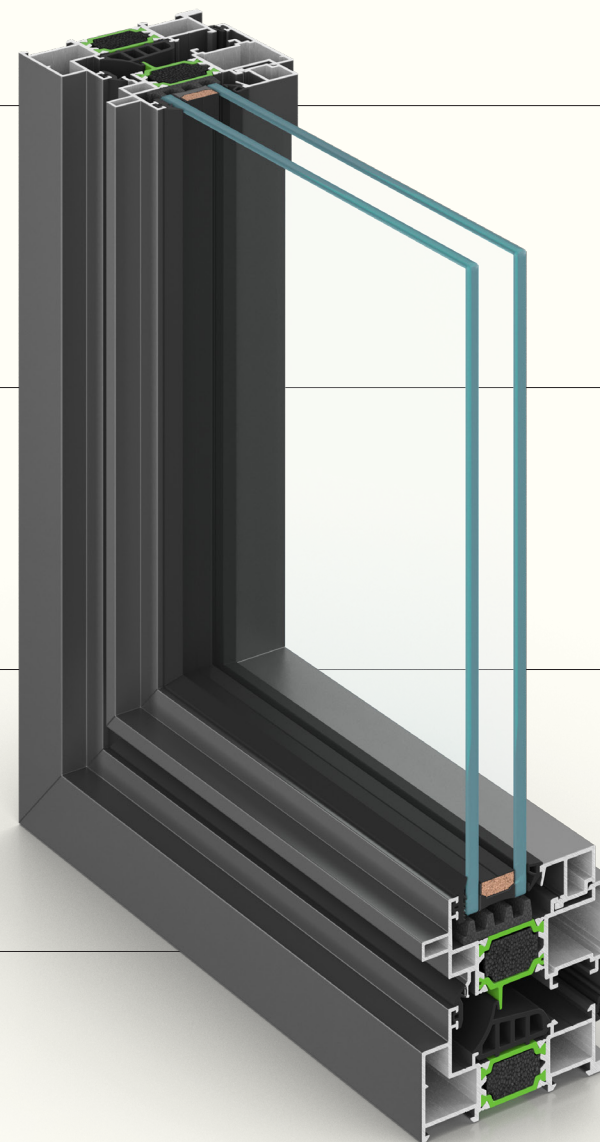
## Low Frame

The lowered frame ensures maximum transparency due to the reduced internal and external face widths. using only concealed hinges for clean lines and borderless view.



## Standard Frame

The standard frame provides a high level of stability and durability for robust structures of large-scale windows with optimum thermal insulation.



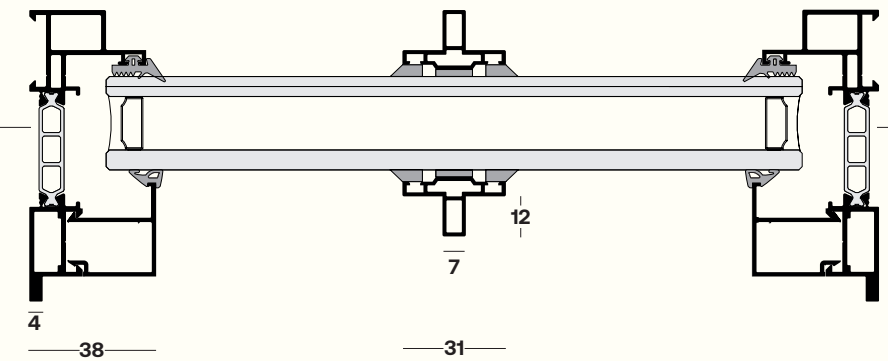
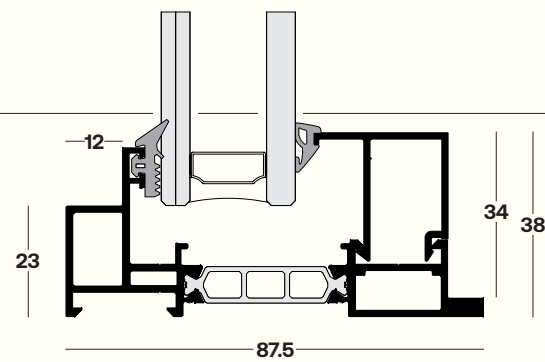
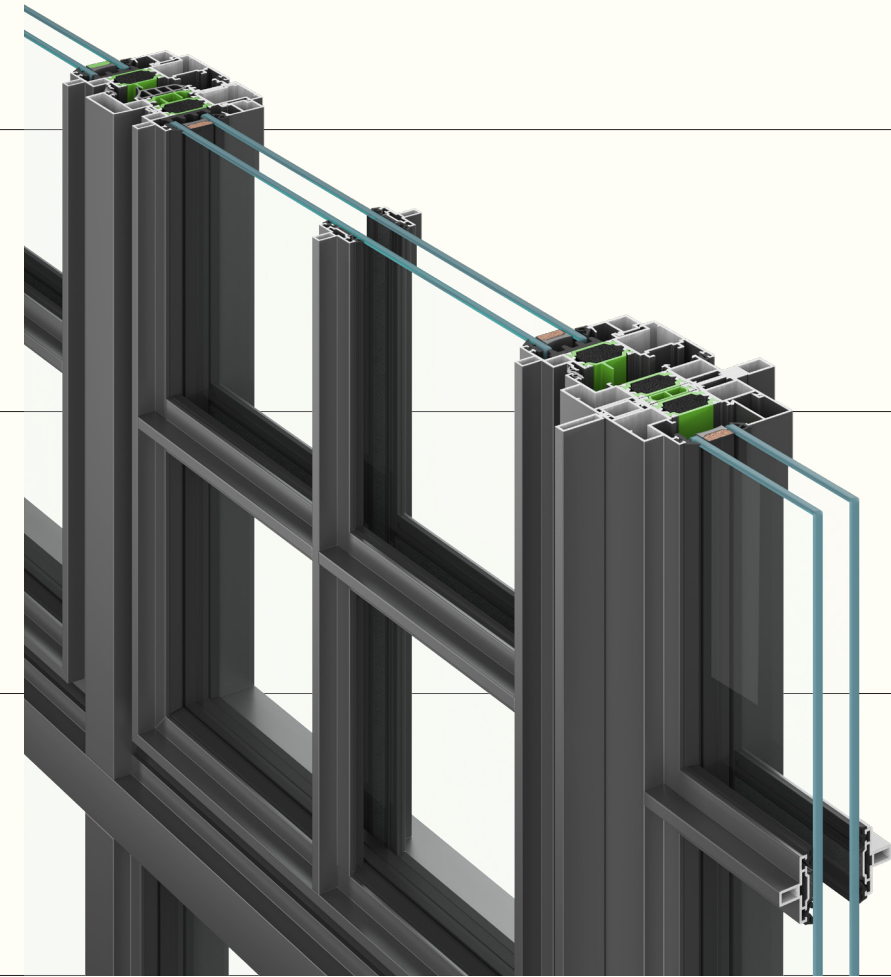
### Fixed Frame

Fixed frames allow you to create a space bursting with industrial character.



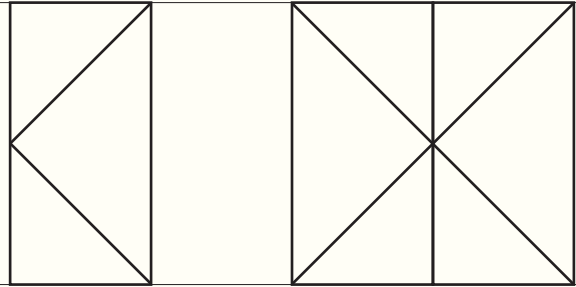
### Georgian Bars

Fixed and opening frames with Georgian bars, used in windows to make them look like traditional Georgian-style windows.

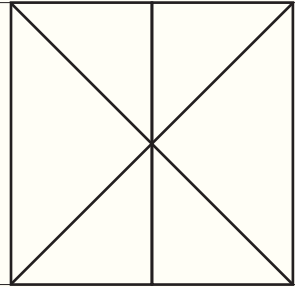




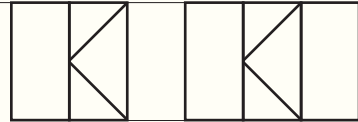
## System Configurations



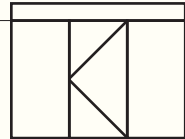
● Single Side Hung Casement or Tilt & Turn



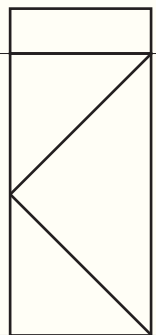
● Double Side Hung Casement or Tilt & Turn



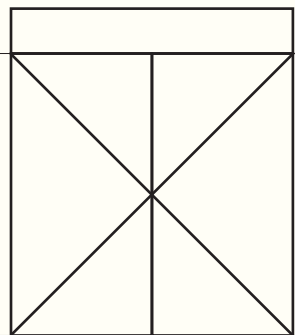
● Fixed & Single Side Hung Casement or Tilt & Turn  
● Two Side Fixed & Single Central Side Hung Casement or Tilt & Turn



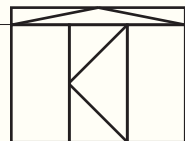
● Two Side Fixed & Single Central Side Hung Casement or Tilt & Turn With Fixed Light



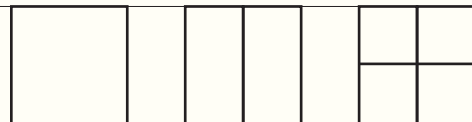
● Single Side Hung Casement or Tilt & Turn With Fixed Light



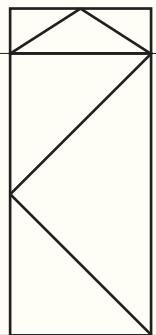
● Double Side Hung Casement or Tilt & Turn With Fixed Light



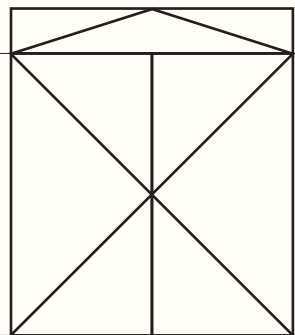
● Two Side Fixed & Single Central Side Hung Casement or Tilt & Turn With Fixed Light With Bottom Hung Light



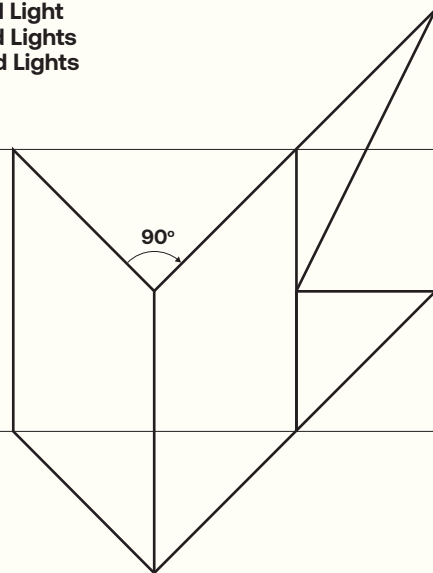
● One Fixed Light  
● Two Fixed Lights  
● Four Fixed Lights



● Single Side Hung Casement or Tilt & Turn With Bottom Hung Light



● Double Side Hung Casement or Tilt & Turn With Bottom Hung Light



● Corner With Side Hung Casement or Tilt & Turn



## Technical Data

○ Category

↘ Value

- Exterior Aesthetics → Flat / Slender Retro look
- Window Types → Hinged
- Frame Depth → 87.5 mm
- Sash Depth → 87.5 mm
- Minimum Visible Aluminum Face Height (Frame-Sash) → 75 mm

- Minimum Visible Aluminum Face Width (Adjoining) → 116.5 mm
- Minimum Threshold Height → 14.7 mm
- Maximum Sash Width → 1,200 mm
- Maximum Sash Height → 2,400 mm
- Maximum Sash Weight → 150 kg

- Sealing Method → Perimetrical, 3-level with EPDM gaskets
- Hardware → Visible / Concealed hinges 180°
- Glass Type → Double / Triple
- Glass Thicknesses → From 23.5 mm up to 54 mm
- Type Of Thermal Insulation → Polyamides 30 mm, Insulation Foam

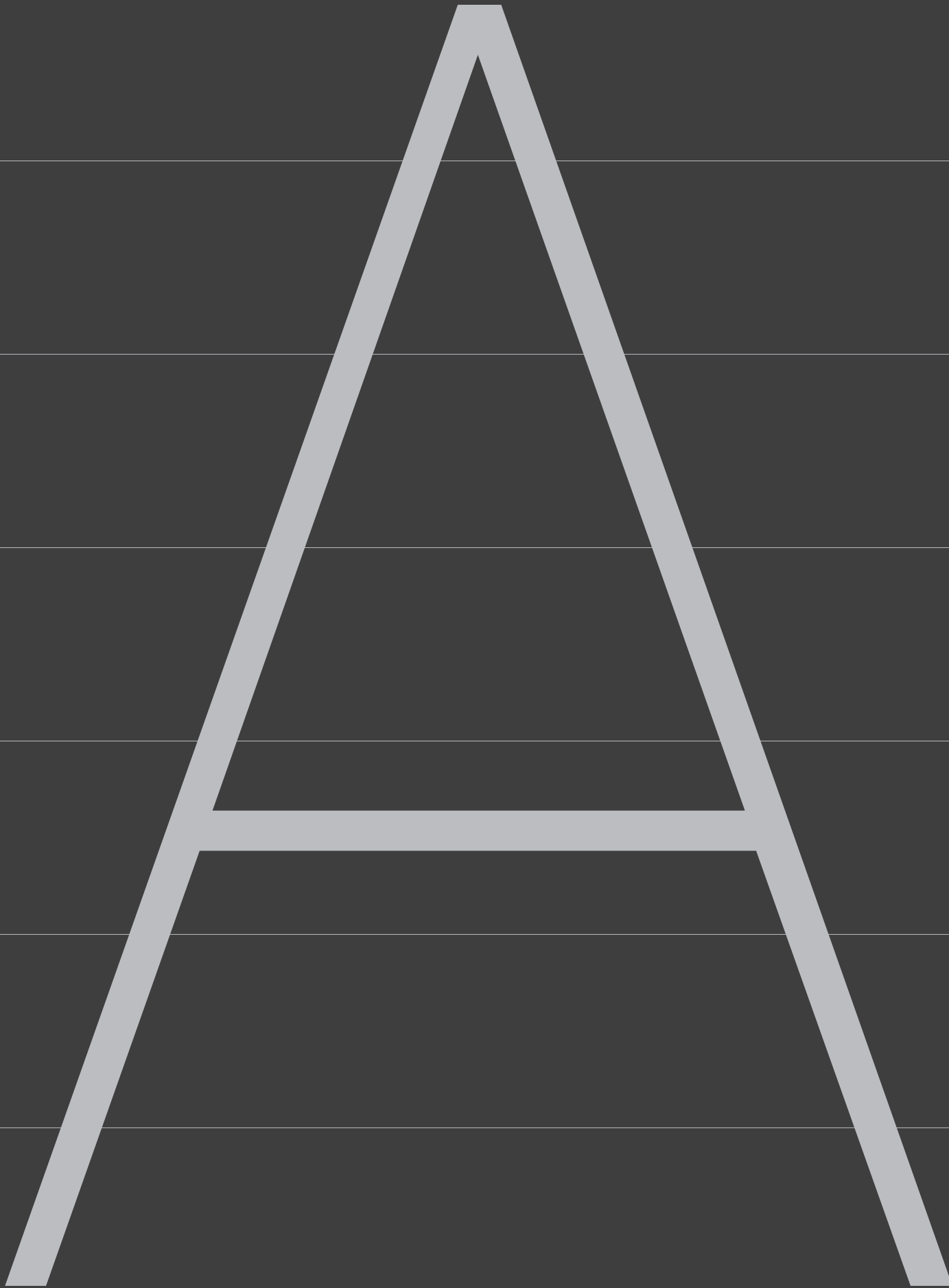


## System Performances

○ Category

↘ Value

- Thermal → Uf values from 1.4 W/(m²K)
- Air Permeability → Class 4
- Water Tightness → Class 9A
- Wind Load Resistance → Class C2/B2
- Acoustic → 43 dB



# Aluminco Skyline

## The Catalogue

©2021 Aluminco S.A

Material Organization & Coordination  
**Aluminco S.A**

Curation  
**Design Ambassador**

Art Direction & Design  
**Post-Spectacular Office**

Renders  
**Helix Imageworks**

Printing  
**Future Format**

Cover Stock  
**Munken Pure Rough 300gsm**

Internal Page Stock  
**Munken Pure Rough 120gsm / Colorplan Dark Gray**

Font  
**Aeonik Pro / Cotype Foundry**

Discover more about the  
new premium systems series  
at [skylinesystems.gr](http://skylinesystems.gr)