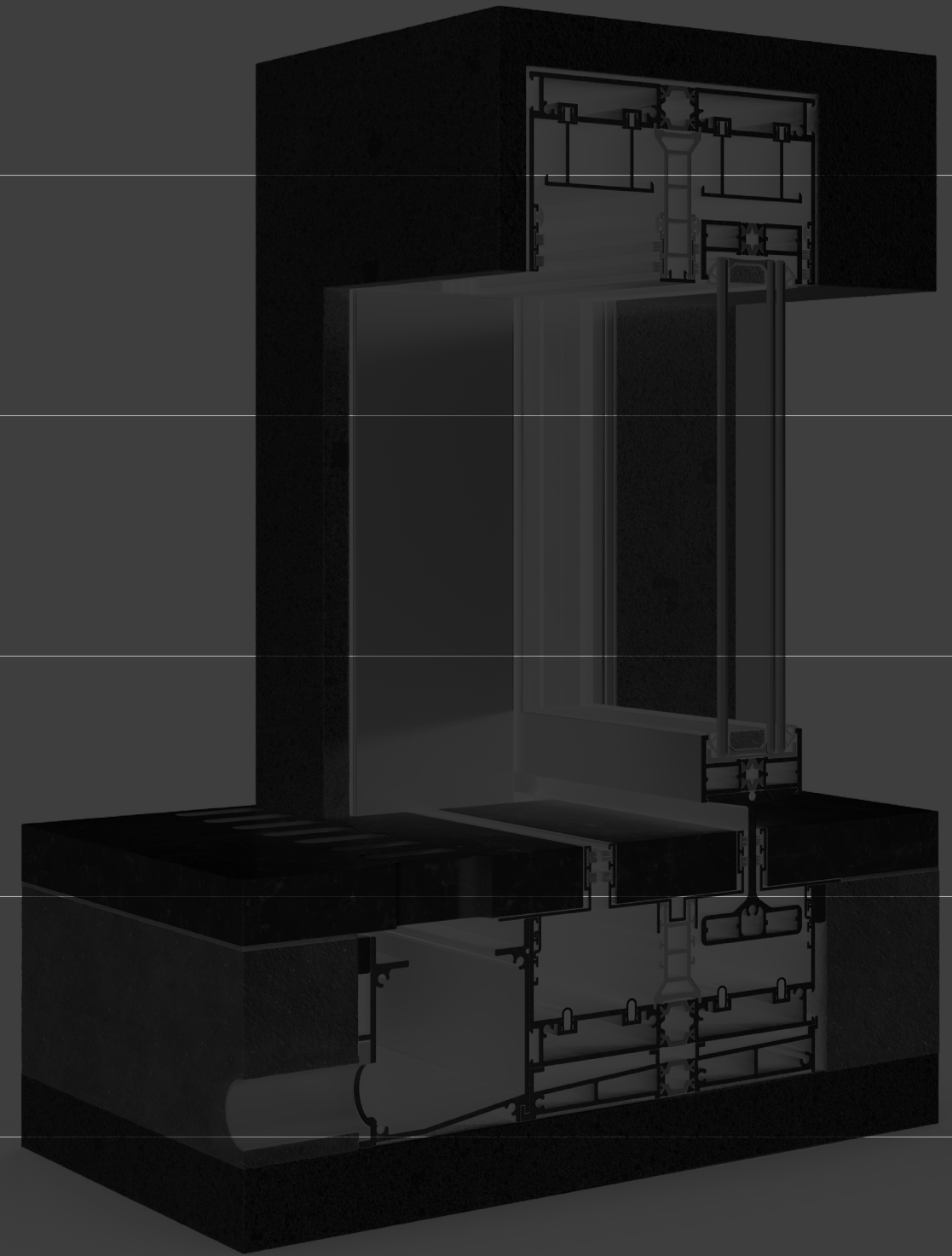


01 →

SL55





The SL55 Infinity is a top-notch proposal for structures in absolute minimal design. All design elements strive to convey the message of simplicity, allowing for light, form, material, space, and nature to provide the very best of living conditions. With SL55 Infinity, carefully applied minimalist principles increase the degree of freedom enjoyed by developers and architects to make attractive and effective buildings so that people can live in greater comfort, more style, and infinite views. Distinguished by its three "hall of fame" features, the narrow face widths, the integrated frames, and the flush fitted tracks, the system impresses for the

maximum transparency, light penetration, and uncompromising comfort. High-quality selected components and systems' design merge in an intimate symbiosis to produce a fine system that ensures maximum thermal and sound insulation potential at any location. Every detail of the SL55 Infinity has been designed with a single goal: to make a statement by means of performance. For the demanding homeowner or architect who wants the latest in modern design and ultimate performance, SKY-LINE SL55 Infinity is the perfect solution.

The Infinity

- Minimal design for modern architecture
- Impressive transparency and maximum light penetration
- Exceptional thermal and acoustic insulation
- Wide open spans maintain the sleek minimal look
- Expanded range of tracks fulfil countless architectural desires
- Possibility for floor-to-ceiling and wall-to-wall frames
- Designed handle and multi-point locking system
- Roller system that allows smooth sliding and operation
- Ideally suited for luxury residential and commercial environments



The freedom of less

In our design mantra, the SKYLINE SL55 is the “freedom of less” approach to minimalistic design with large impact. With extremely slender profile face width of only 25 mm in the interlock section, an outer/vent frame totally concealed in the attachment to building structure and the flush fitted track solutions, the system meets the highest requirements in terms of infinite views, ease of use, maximum comfort, and security.



Connect to nature from indoors

Connecting to nature can restore our sense of wellbeing. The SL55 Infinity is designed to make the best of it, whilst offering an atmospheric blend of style and top quality with optimum comfort features. Floor-to-ceiling and wall-to-wall frames with recessed top and bottom tracks create spaces filled with natural light, whereas maximum transparency is accomplished. As a result, living areas open up to connect the indoors to the natural surroundings. A wide range of floor track versions are offered to significantly improve user comfort. All track versions of the system –hidden sash, visible sash, flat track, and hidden track– are based on multi-functional profiles, which allow for optimal use of a complete track drainage system.



Seamless transitions between spaces

In the perfect living environment, comfort and aesthetics are a challenging task. The hidden track version, which is fully recessed into the floor, achieves a high user comfort level by effectively dissolving the boundaries between inside and outside. The creation of an easy-access connection is emphasized by using the same flooring for inside and outside, providing smooth and elegant transitions to outdoors. There is a sense of refined, modern luxury.



More performance More comfort

When it comes to performance, we strive to deliver the world's best results. For SL55 Infinity, selected test specimen had to undergo extremely tough testing. Repeatedly. And even more. Until we have a final rigorous independent testing, and flawless performance. The system performs extremely well, delivering optimum thermal and acoustic comfort while standing the test of time and harsh weather conditions, in almost every location on the planet.



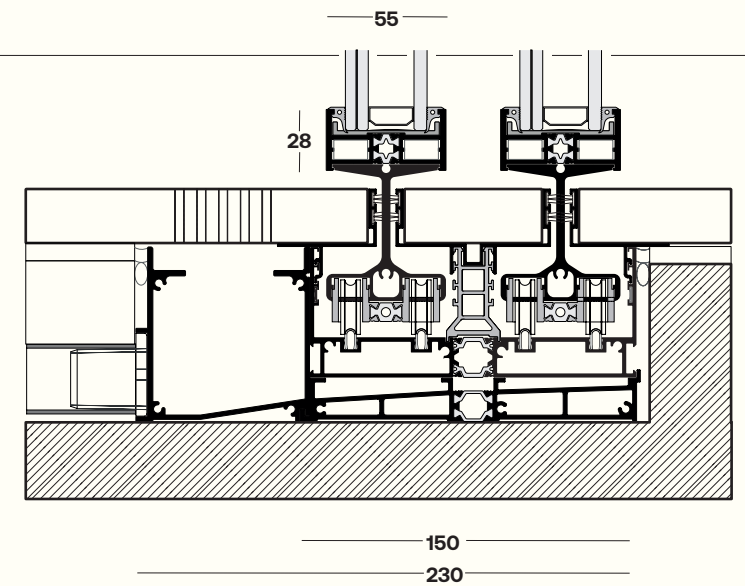
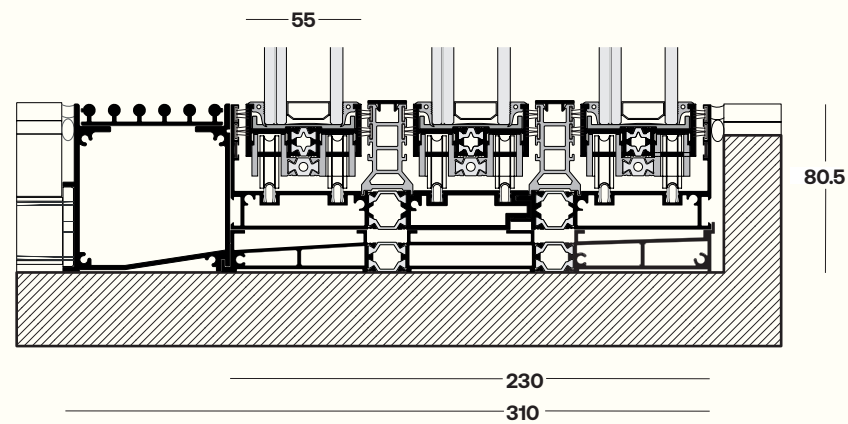
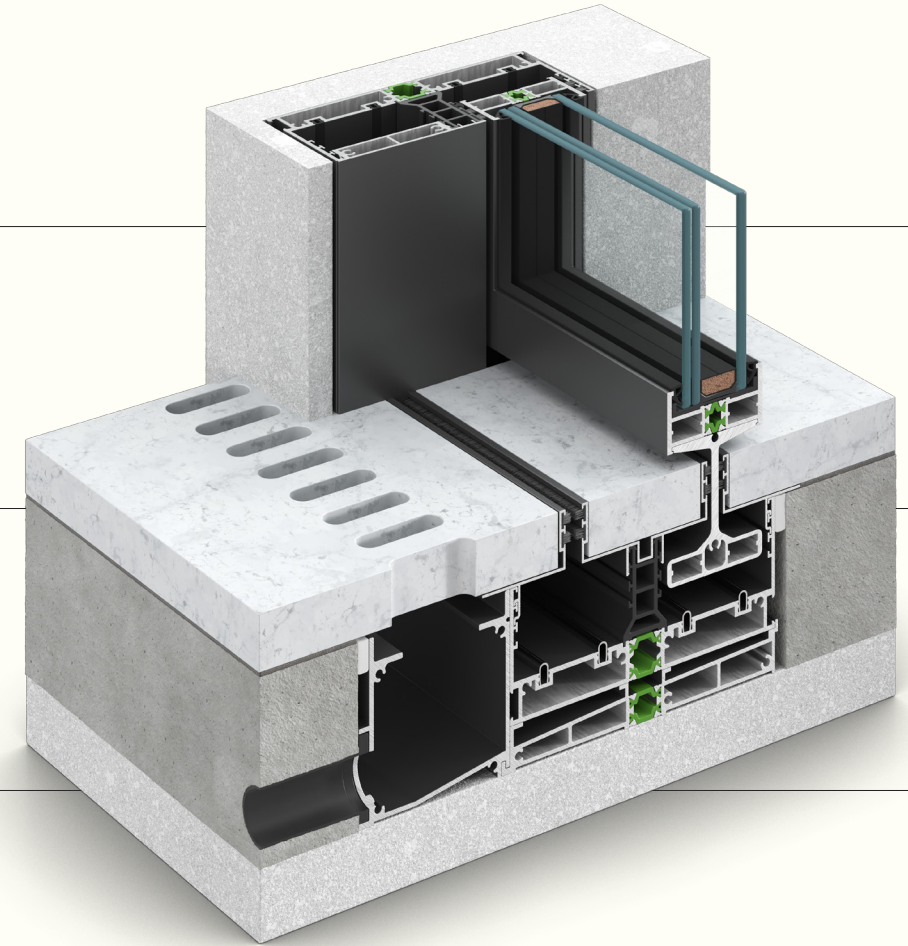
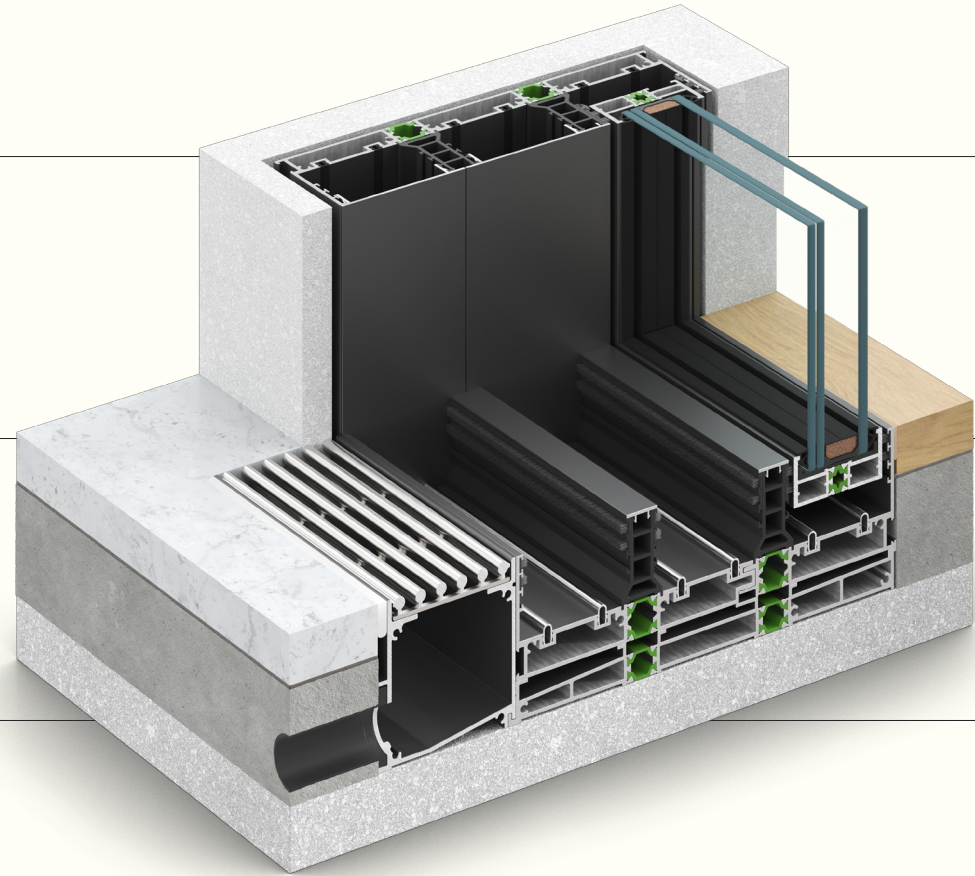
TTC

Hidden Sash

The triple track version with concealed sash frame offers infinite view and maximum light penetration.

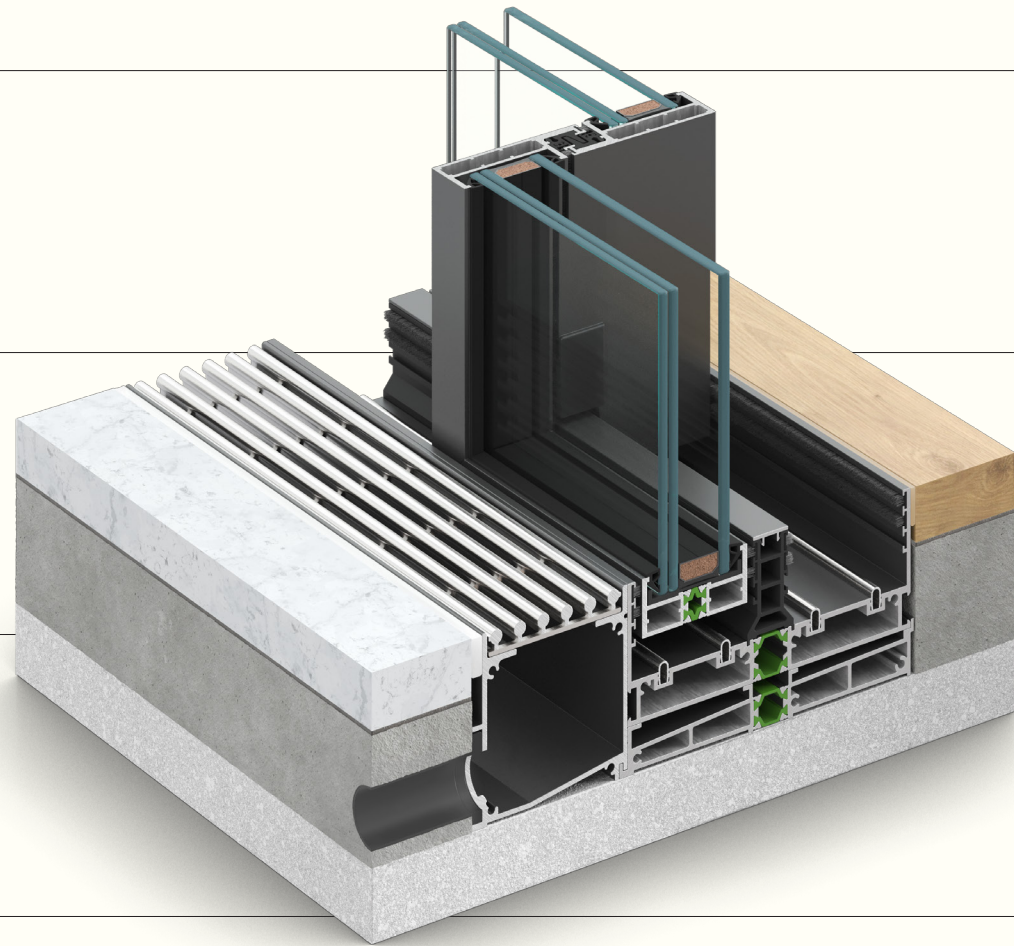
Hidden Track

The hidden track version offers visible sash with completely recessed track frame, covered with the flooring's finish material to open and unify spaces.



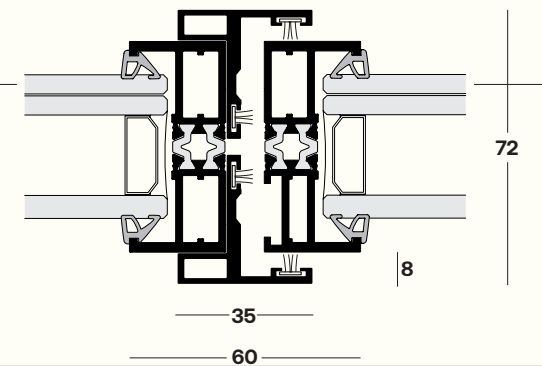
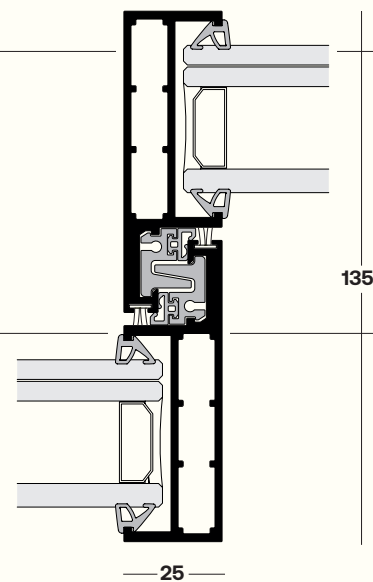
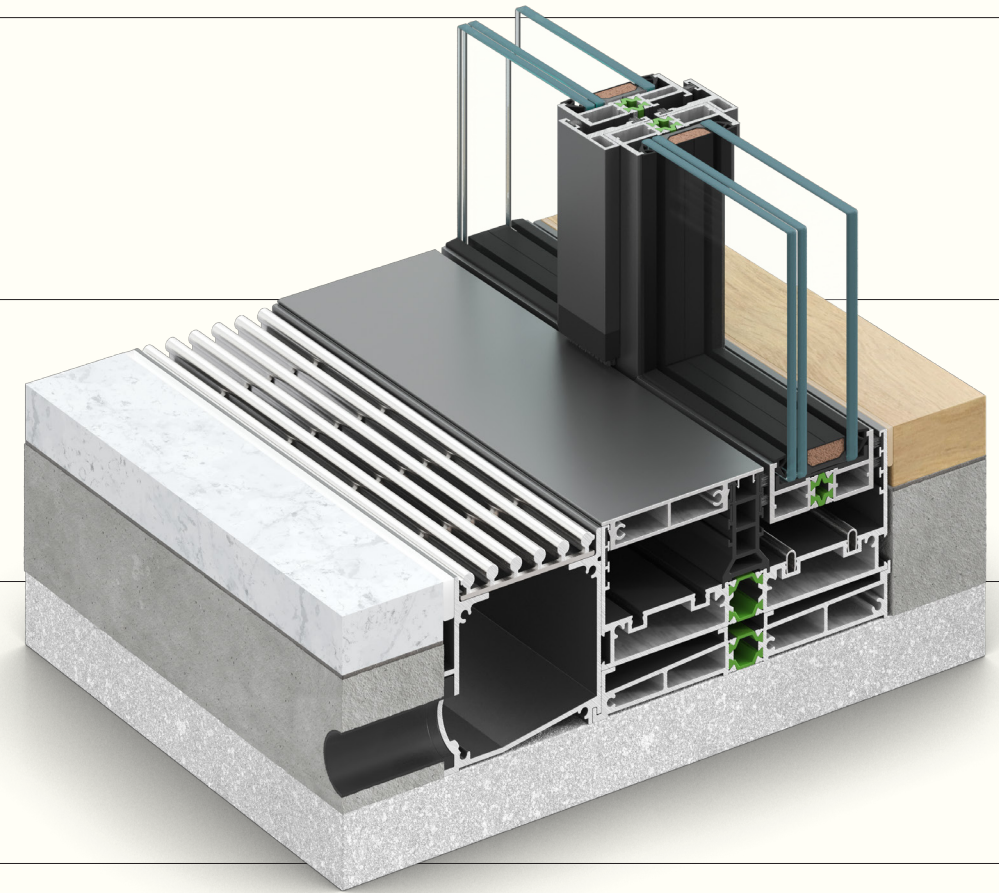
Interlock

Narrow face widths with only 25 mm of visible aluminium on the center vertical post, perfectly embodies the concept of minimal visual interruptions.



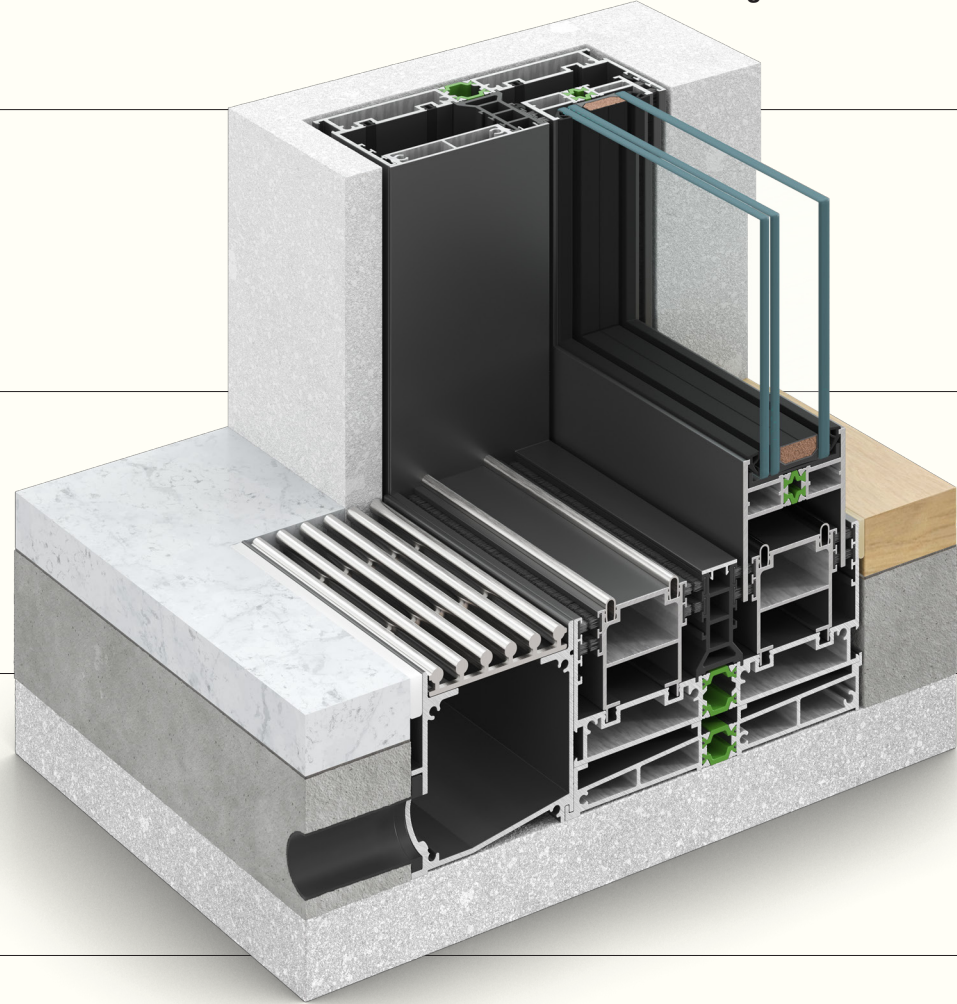
Meeting Stile

Slimline meeting stile of just 60 mm delivers the clearest possible views.



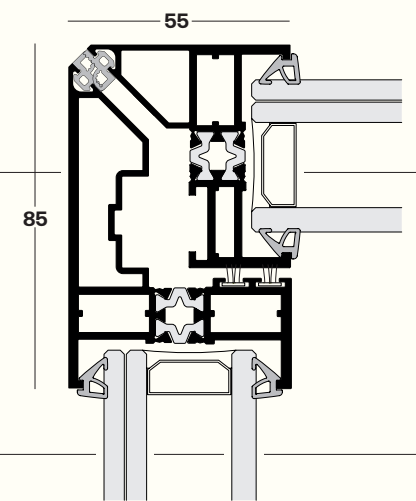
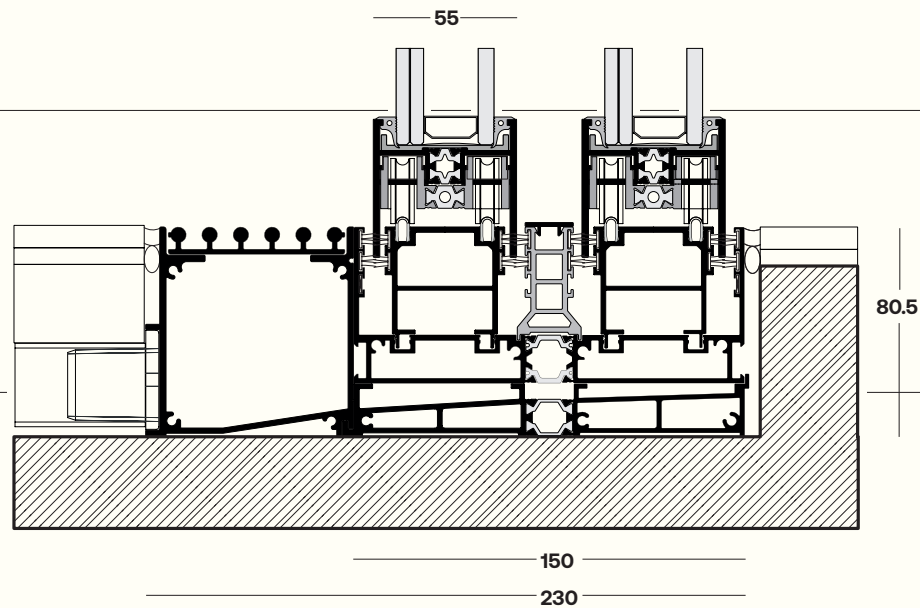
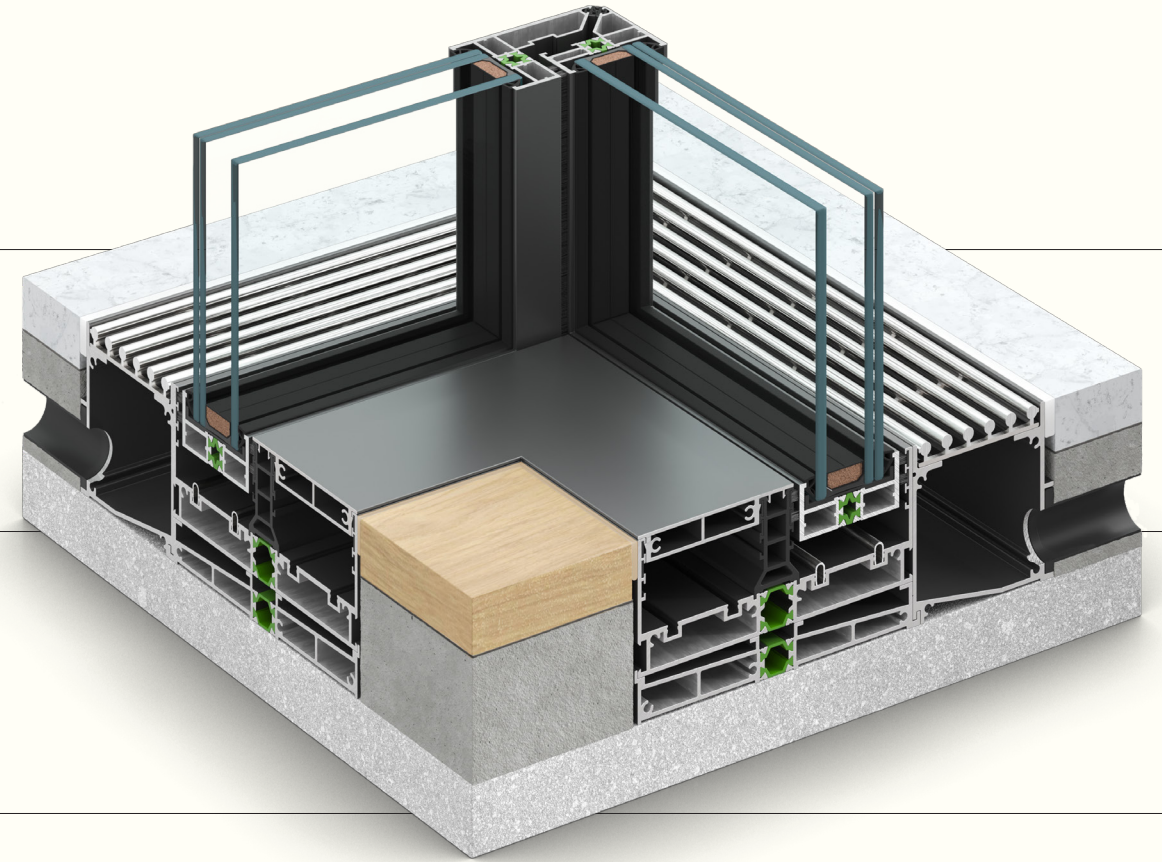
Flat Track

The use of a flat track provides an easy access from inside to outside. Ideal for people with disabilities. The flatness offers protection from dirt collecting in the bottom track.



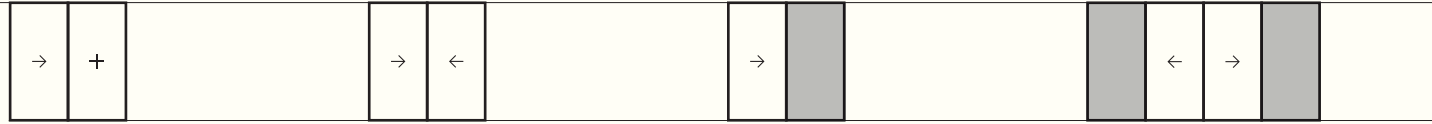
Corner Opening

The open corner solution allows us to open up the indoor spaces to the breathtaking outdoors.

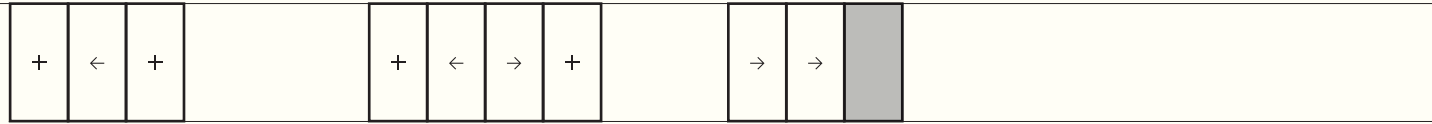




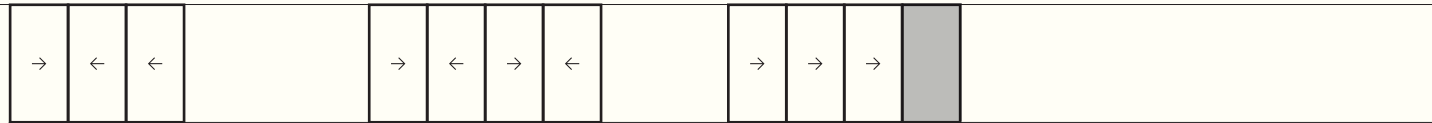
System Configurations



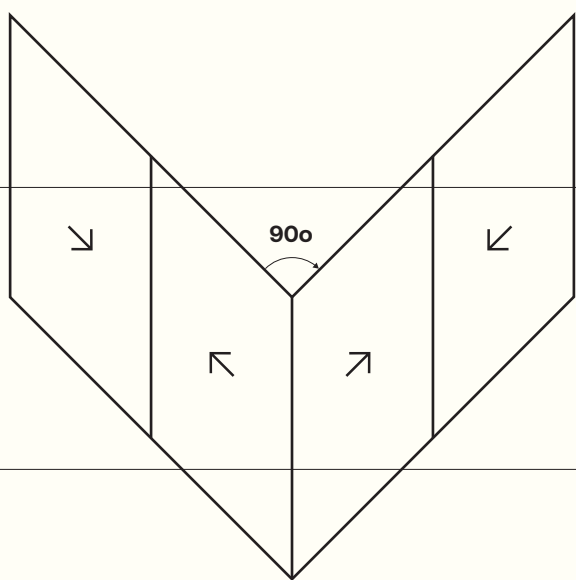
● One Fixed & One Movable Sash ● Two Movable Sashes ● One Movable Sash In Wall ● Two Central Movable Sashes In Wall



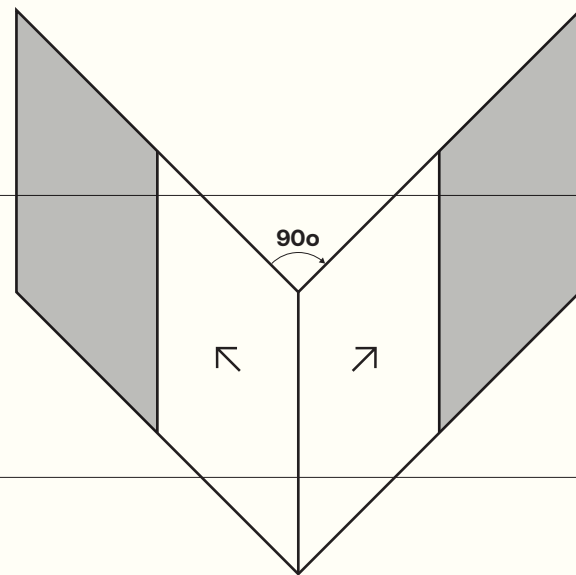
● Two Side Fixed & Single Central Movable Sash (Hotel Solution) ● Two Side Fixed & Two Central Movable Sashes ● Two Side Movable Sashes In Wall



● Three Movable Sashes ● Four Movable Sashes ● Three Side Movable Sashes In Wall



● Corner With Four Movable Sashes



● Corner With Four Movable Sashes In Wall



Technical Data

○ Category

↘ Value

- Exterior Aesthetics → Flat / Minimal with concealed frames and flush-fitted threshold
- Track Editions → Hidden sash / Visible sash / Flat track / Low flat track / Hidden track
- Frame Depth → 150 mm
- Sash Depth → 55 mm
- Face Height (Flat track edition) → 41 mm

- Visible Aluminum Face Width (Interlock) → 25 mm
- Visible Aluminum Face Width (Meeting Stile) → 60 mm
- Maximum Sash Surface → Up to 10 m² per sash
- Maximum Sash Weight → Up to 400 kg per sash

- Sealing Method → Perimetrical, with 2-level of silicone treated weather strips
- Hardware → ALUMINCO Multipoint locking, ALUMINCO Roller system
- Glass Type → Double / Triple
- Glass Thicknesses → From 37.5 mm to 41.5 mm
- Type Of Thermal Insulation → Polyamides 18 mm



System Performances

○ Category

↘ Value

- Thermal → Uf values from 1.4 W/(m²K)
- Air Permeability → Class 4
- Water Tightness → Class 6A
- Wind Load Resistance → Class B3
- Acoustic → 45 dB