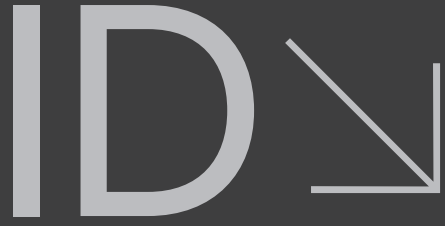


02 →

CW35





Simplicity at its best, SKYLINE CW35 is the new generation of Aluminco's curtain wall system, which offers maximum transparency due to minimal face widths of just 35 mm wide. The ultra-thin lines of the system allow your living spaces to be filled with panoramic views and natural light.

To meet the highest design standards, the system delivers a range of aesthetical solutions in two body types. The most slimline of appearance in standard and structural type, which ideally combines the strong elements of the system and a more industrial or retro style version, following the current trends in architecture. The optimum has been achieved and the maximum reached. Yet, if you look at every detail of the SKYLINE CW35, you may discover un-reached performance possibilities.

Style Setter

- Slim facade design allows for maximum light penetration
- Transparent facade offers breathtaking views
- Two body types in contemporary and industrial -look- design
- Exceptional thermal and acoustic insulation
- Combines perfectly with the SKYLINE W85^{HS} for large facade frames
- Ideally suited for luxury residential and commercial environments



More slimline appearance

The extremely narrow face widths of just 35 mm create a dominant sleek look and offer an unimpeded view. All design elements of the system reveal the SKYLINE DNA. From the outside, the system appears as a solid structure with a slim row of panels, while from the inside it appears almost completely transparent. The result, an impressive facade offering a spacious, light-filled living environment.



More design More looks

The SKYLINE CW35 facade system provides architects with a diverse range of design options, all in extremely slimline face width with the highest degree of functionality. A broad selection of transom and mullion profiles in two body types, standard and structural, in retro or industrial look, all boast a striking appearance and impressive performance. The retro version of CW35 slimline facade can be combined with the SKYLINE W85ST, delivering the perfect retro scene.



Transparent architecture

The CW35 facade system delivers attractive but also reliable solutions even for the highest of structural requirements. It fits perfectly in extremely large, glazed area for almost floor-to-ceiling structures, ensuring a particularly bright and welcoming ambience in the interior. The maximum level of transparency is achieved thanks to slimline face width, while the excellent thermal insulation values meet the most demanding requirements of any residential or commercial environment.



Shaped by performance

Aesthetics, combined with high performance features are essential in modern architecture. With carefully designed profiles and high-quality components, the SKYLINE CW35 meet or even exceed all of your performance requirements – in every design, on every building, at every environment. Whether you prefer the retro or industrial style upon your next project, or the contemporary clean lines of the standard or structural type, it is purely a matter of personal choice and required performance. But one thing is certain: every CW35 is first and foremost a performance system.



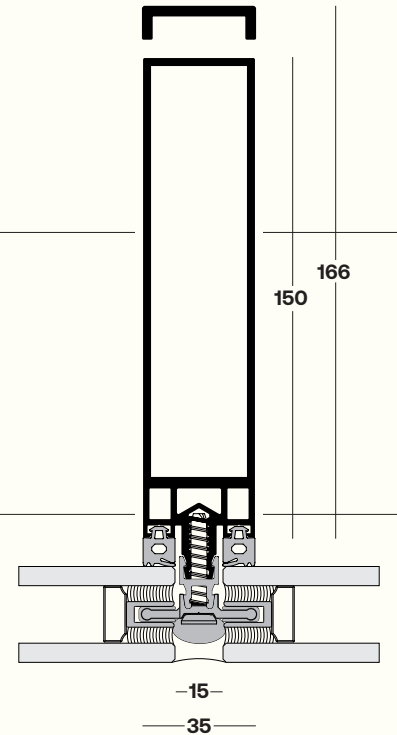
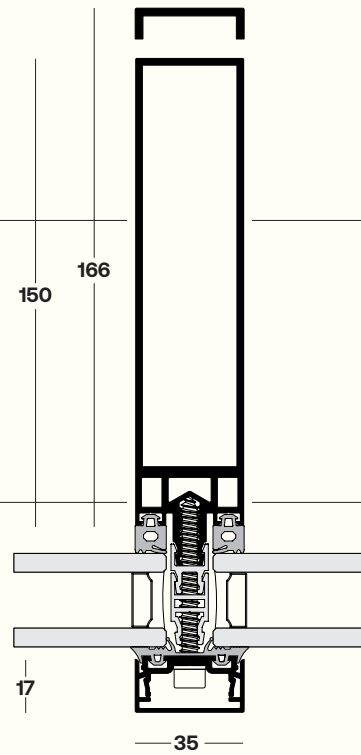
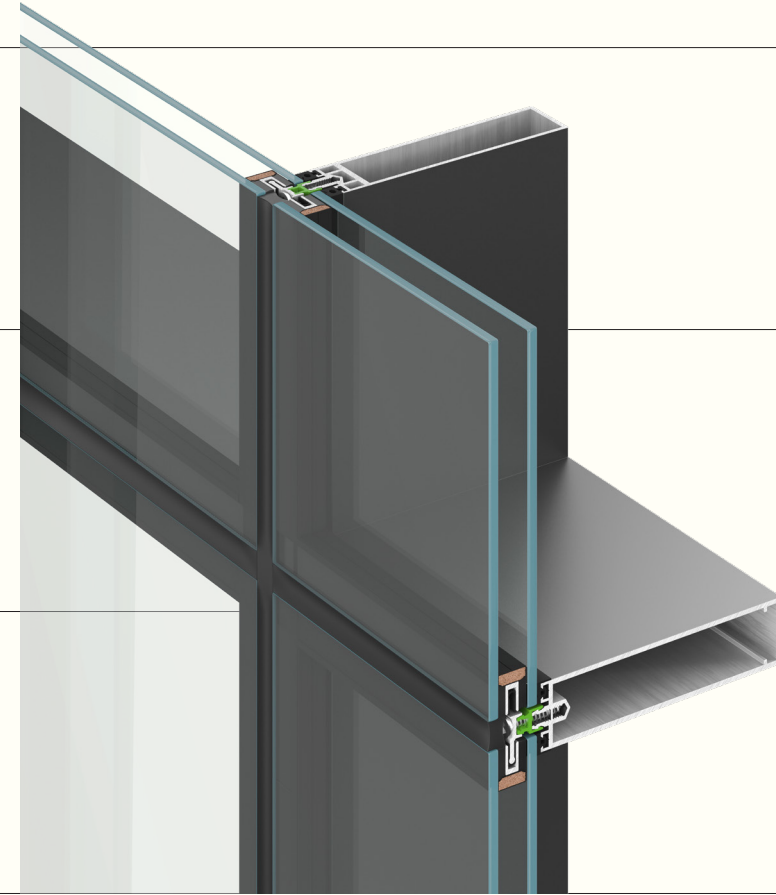
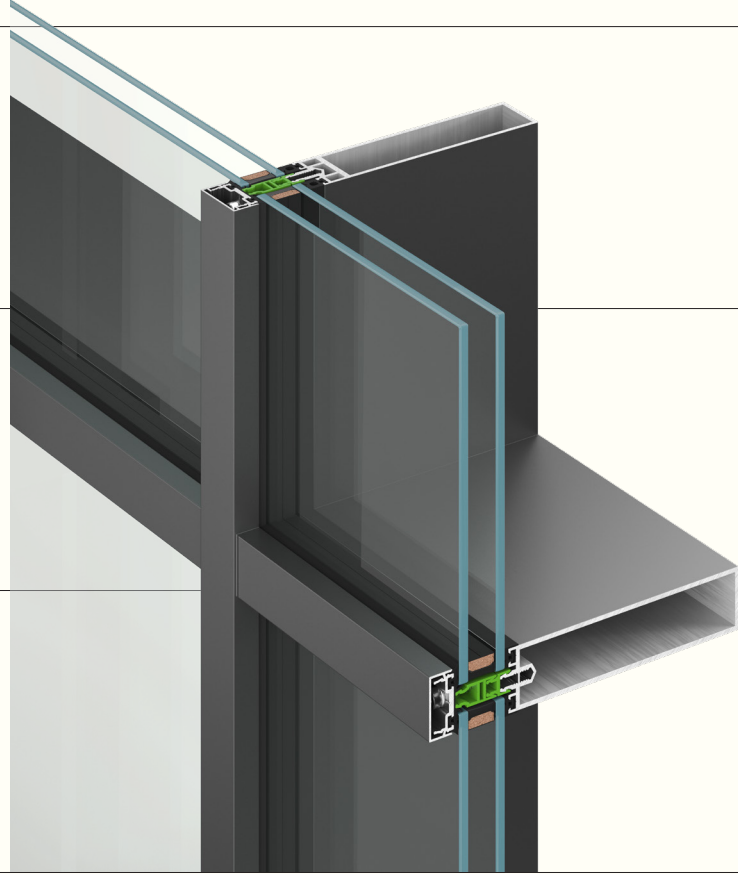
TC

Standard

Slimline body face with pressure plate and aluminum cover, resulting in high insulation performance.

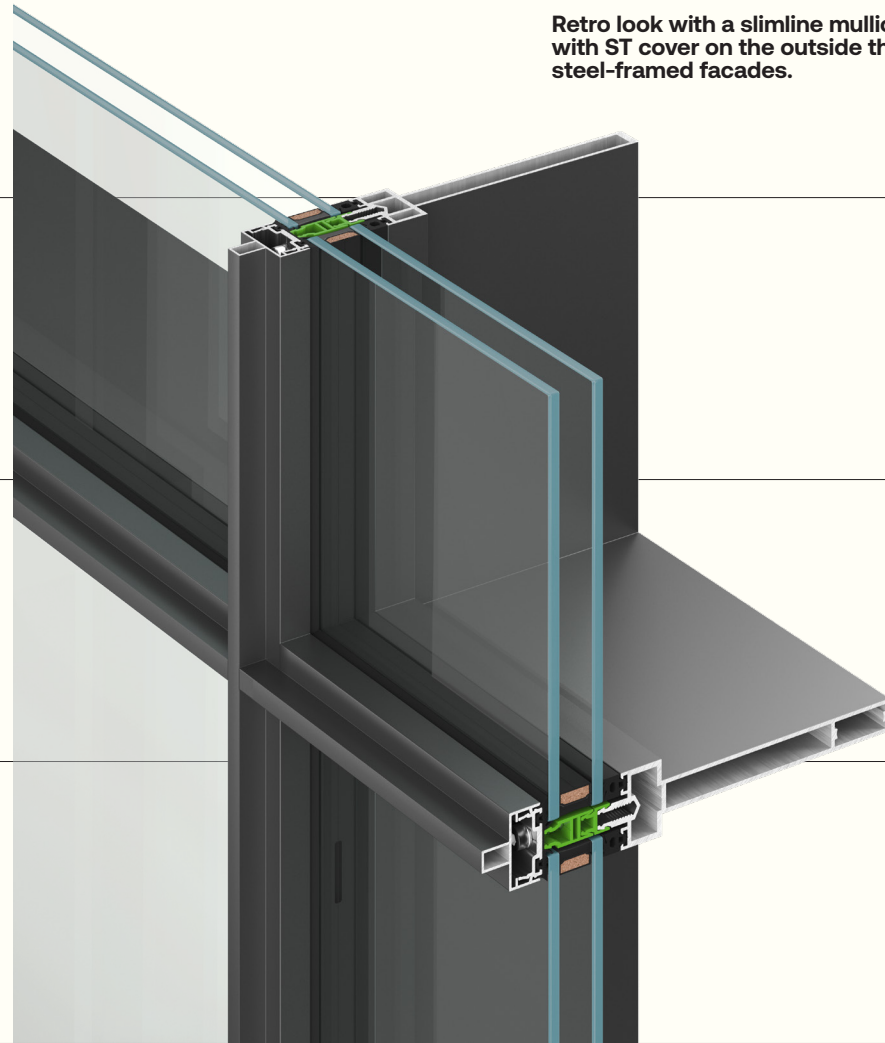
Structural

Structurally sealed glass for a continuous glazed facade appearance.



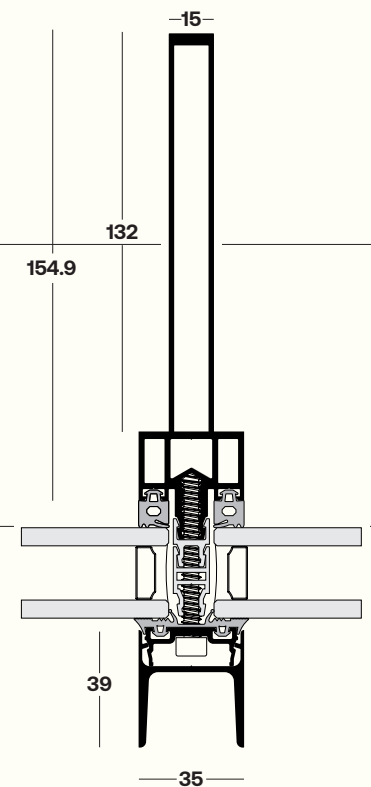
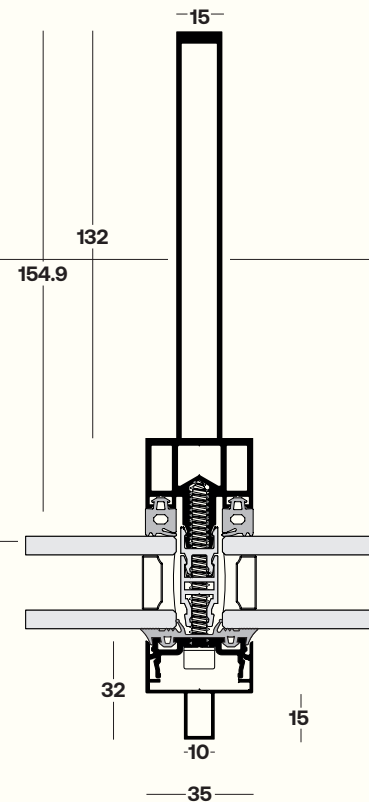
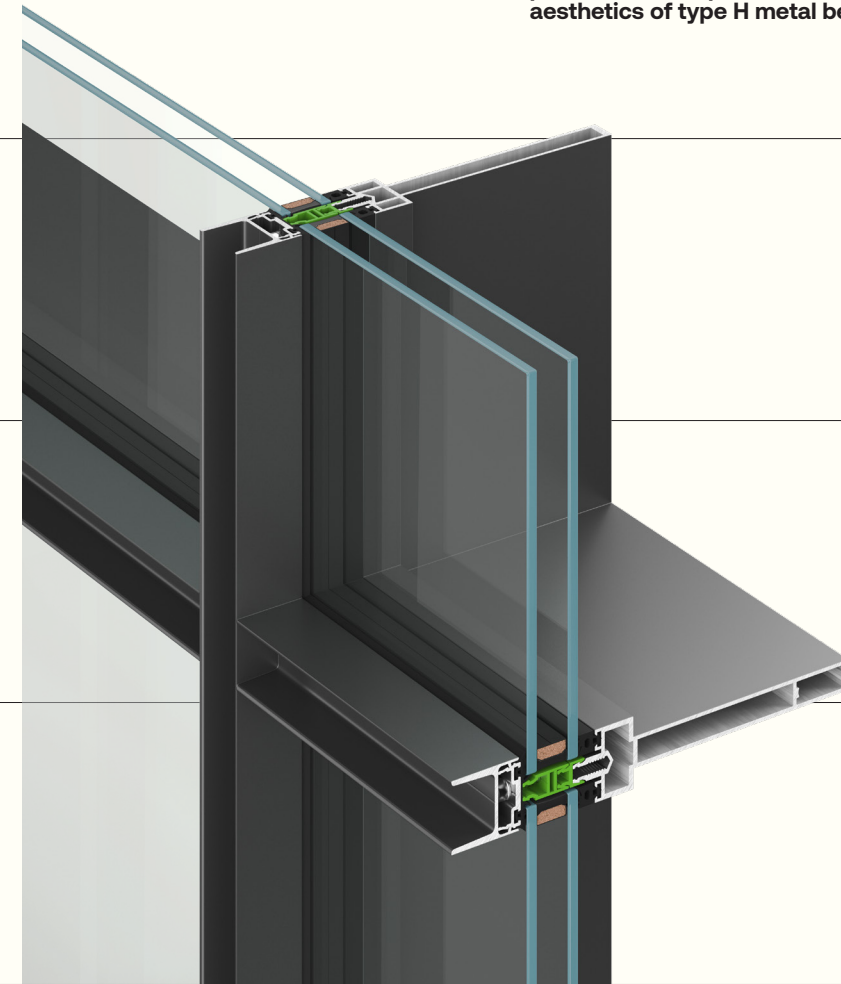
Retro

Retro look with a slimline mullion from inside and a pressure plate with ST cover on the outside that resembles the aesthetics of steel-framed facades.



Industrial

Industrial look with a slimline mullion from inside and a pressure plate with U-shaped cover on the outside that resembles the aesthetics of type H metal beams.



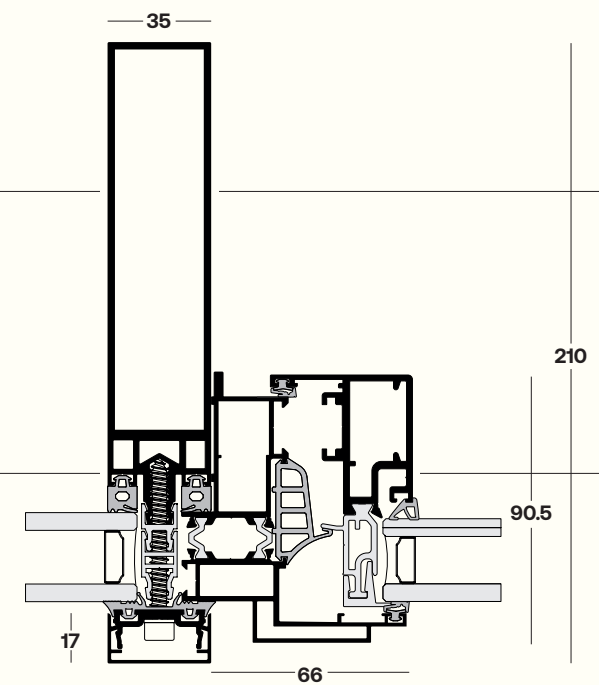
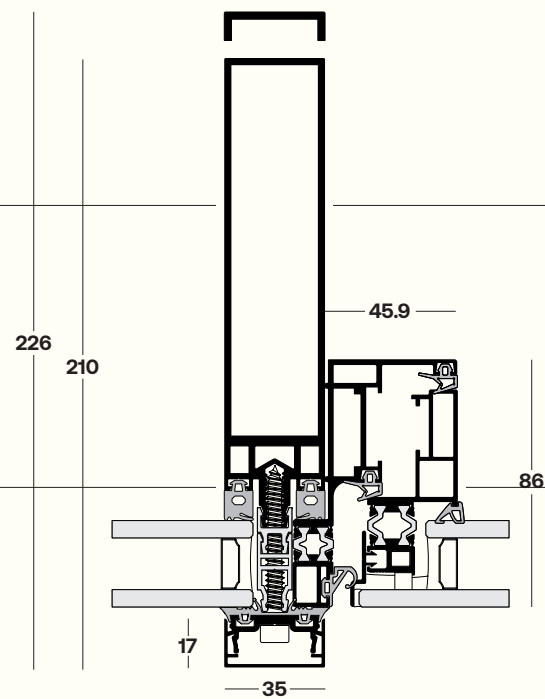
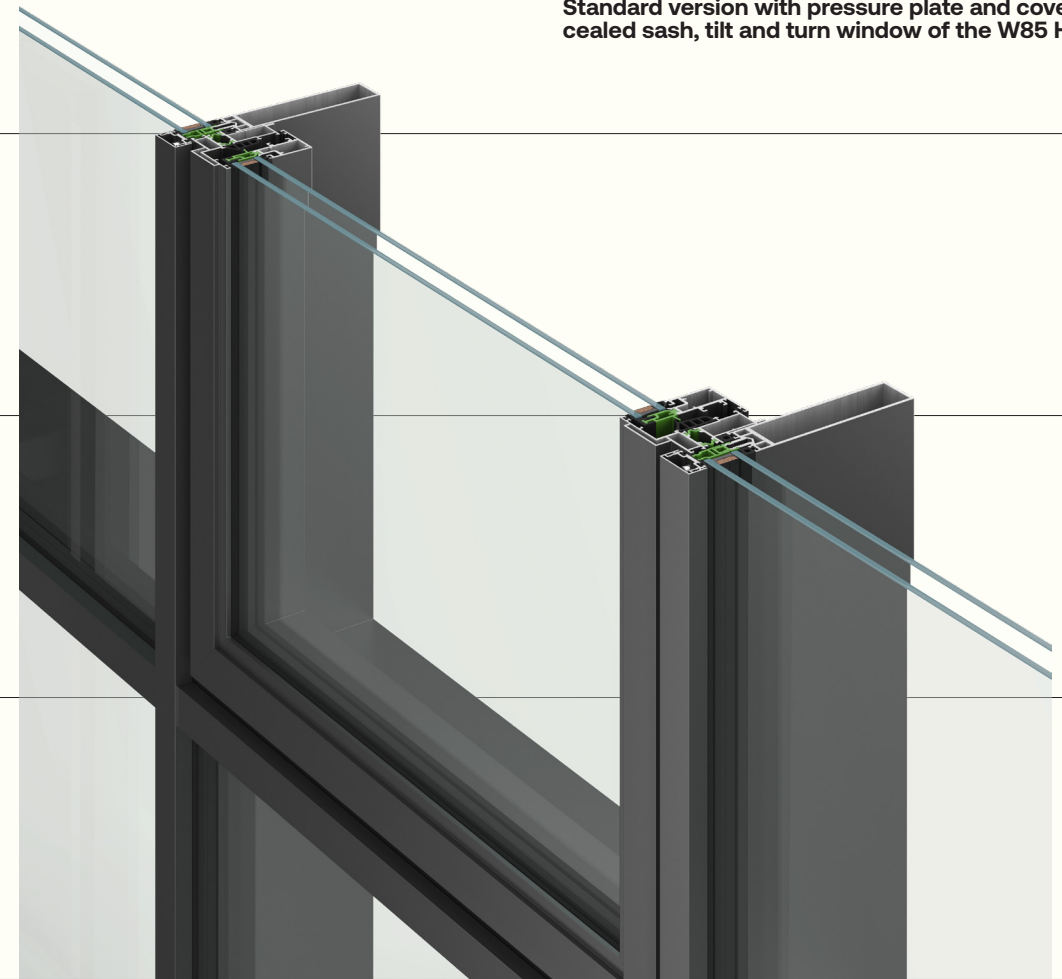
Projected Outward Window

Standard version with pressure plate and cover, where a projected outward window is applied.



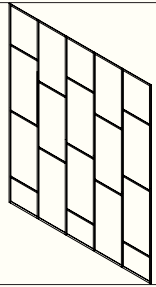
Concealed Sash Tilt & Turn Window

Standard version with pressure plate and cover, where a concealed sash, tilt and turn window of the W85 HS series is applied.

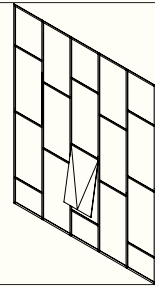




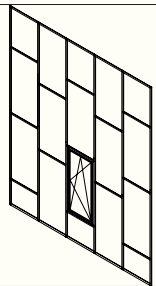
System Configurations



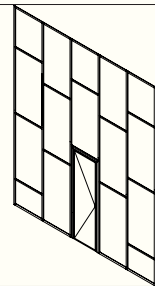
● Fixed



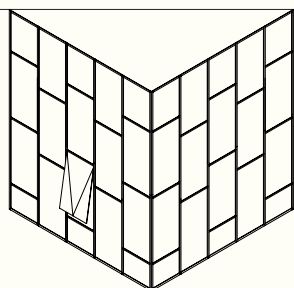
● Fixed With Projected Windows



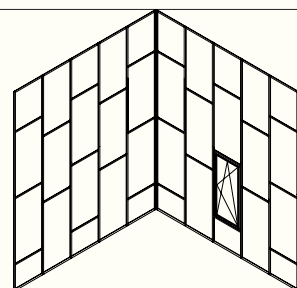
● Fixed With Inward Opening Windows



● Fixed With Entrance Door



● Out Corner



● Inside Corner



Technical Data

○ Category

↘ Value

- Exterior Aesthetics → Standard / Structural / Retro / Industrial
- Exterior Visible Aluminum Face → 35 mm
- Column Depth → Up to 185 mm
- Transom Depth → Up to 192.5 mm

- Glass Thicknesses → From 6 to 48 mm
- Glazing Fixed Method → Pressure plate / Structural
- Windows Hardware → Visible / Concealed
- Type Of Thermal Insulation → Polyamides, Insulation Foam



System Performances

○ Category

↘ Value

- Thermal → Uf values from 2.0 W/(m²K)
- Air Permeability → Class AE 1200
- Water Tightness → Class RE 1200
- Wind Load Resistance → Design Load ± 1.4KN/m² Safety Load ± 2.1KN/m²
- Acoustic → 45 dB